

Standard executions			
Version	Symbol	Code	Item
3/8"		811031	VSI2038SE
1/2"		811032	VSI2012SE
3/4"		811033	VSI2034SE
1"		811034	VSI2100SE
1 1/4"		811035	VSI2114SE
1 1/2"		811036	VSI2112SE
2"		811037	VSI2200SE



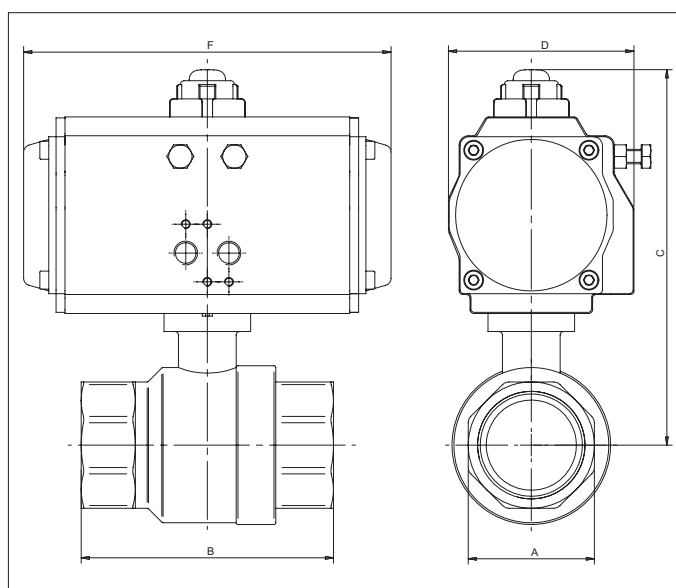
Series of stainless steel ball valves "full bore" with rotary actuator single acting.

For actuator features see page 2.430.1.
For NAMUR solenoid valve see page 2.88.1.
For actuator mounting accessories see page 2.431.30.

CE **II 2Gc IIC T6**
II 2Dc T85°C

Manufactured according to 2014/34/EU - **ATEX**

Size	A	B	Ø actuator	C	D	F
G3/8	27	65	52	132	71,5	147
G1/2	27	75	52	132	71,5	147
G3/4	33	80	52	136	71,5	147
G1	41	90	63	159,5	83	168
G1 1/4	50	110	63	165,5	83	168
G1 1/2	58	120	83	196,8	103	204
G2	70	140	83	205,8	103	204



Technical data of the ball valve							
Fluid	Compressed air, water, inert gases, fluids, steam						
Pressure range	63 bar						
Temperature range	-20 °C ÷ + 150°C						
Orifice	3/8"= 10 mm	1/2"= 15 mm	3/4"= 20 mm	1"= 25 mm	1 1/4"= 32 mm	1 1/2"= 40 mm	2"= 50 mm
Flow	3/8"= 3.000 l/min		1/2"= 11.500 l/min		3/4"= 21.000 l/min		1"= 33.000 l/min
	1 1/4"= 50.000 l/min		1 1/2"= 84.000 l/min		2"= 97.000 l/min.		
Mounting	In-line						
Materials	Body:	Steel Inox AISI 316					
	Ball:	Steel Inox AISI 316					
	Seals:	PTFE - FKM					