

Standard executions			
Version	Symbol	Code	Item
1/2"		811001	VSO2012DE
3/4"		811002	VSO2034DE
1"		811003	VSO2100DE
1 1/4"		811004	VSO2114DE
1 1/2"		811005	VSO2112DE
2"		811006	VSO2200DE



Series of brass ball valves "full bore" with rotary actuator double acting.

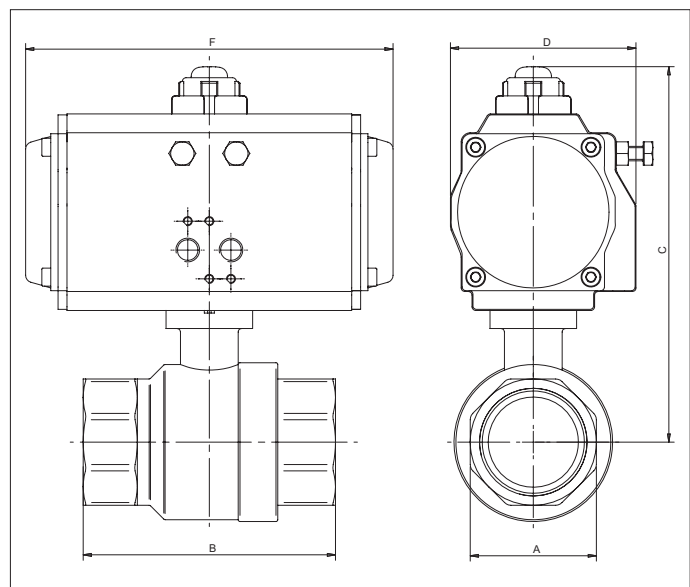
For actuator features see page 2.430.10.  
For NAMUR solenoid valve see page 2.88,1.  
For actuator mounting accessories see page 2.431.30.

2

**CE** **II 2Gc IIC T6**  
**II 2Dc T85°C**

Manufactured according to 2014/34/EU - **ATEX**

Size	A	B	Ø actuator	C	D	F
G1/2	26	75	32	103	45	118
G3/4	32	80	32	105,5	45	118
G1	41	90	40	124	65	120
G1 1/4	50	110	40	135	65	120
G1 1/2	55	120	52	153,5	71,5	147
G2	70	140	63	180,5	83	168



Technical data						
Fluid	Compressed air, water, inert gases and non-aggressive fluids					
Pressure range	40 bar					
Temperature range	-20 °C ÷ + 130°C					
Orifice	1/2"= 15 mm	3/4"= 20 mm	1"= 25 mm	1 1/4"= 32 mm	1 1/2"= 40 mm	2"= 50 mm
Flow	1/2"= 11.500 l/min	3/4"= 21.000 l/min	1"= 33.000 l/min	1 1/4"= 50.000 l/min	1 1/2"= 84.000 l/min	2"= 97.000 l/min
Mounting	In-line					
Materials	Body:	Nickel-plated brass				
	Ball:	Chrome plated brass				
	Seals:	PTFE - NBR				