

FUTURA Prefilter

Prefilter | BGO



Image shows:
91310.CC00

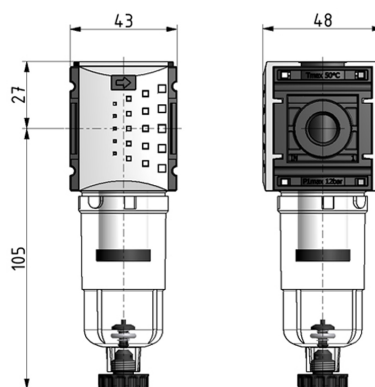
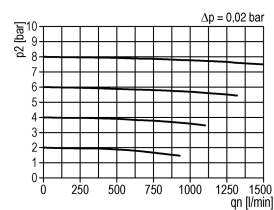
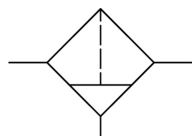


Image shows:
91310.CC00

flow characteristic



symbol



technical data

- description: prefilter
- medium: compressed air, neutral gases
- supply pressure P1 min.: 1,5 bar
- supply pressure P1 max.: 12 bar
- temperature range: 0 - 50°C
- bowl: PC
- drain: HA
- mounting: vertical
- filter element: 0,3 μm
- particle separation: 99.999%

accessories



- mounting bracket:
[KBW.0-1225](#)



- coupling kit wall mounting:
[KKOP.0W](#)

type	part-number	description
KPFI-014	91310.CC00	Prefilter G1/4 0,3μm with PC bowl and semi automatic drain
KPFI-014 AM	91310.CC01	Prefilter G1/4 0,3μm with PC bowl and automatic drain
KPFI-014 M	91310.CC50	Prefilter G1/4 0,3μm with metal bowl and semi automatic drain
KPFI-014 M AM	91310.CC51	Prefilter G1/4 0,3μm with metal bowl and automatic drain

Service 3 unit

Service 2 unit

Filter regulator

Filter

Pressure regulator

Lubricator

System extensions

Accessories

Special products

Prefilter | BG1



Image shows:
91311.CC00

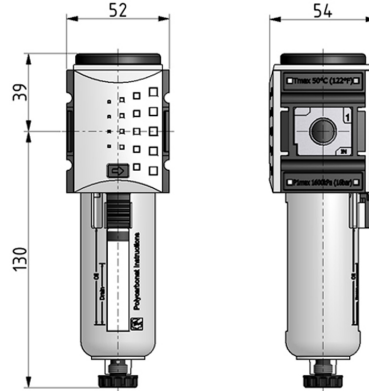
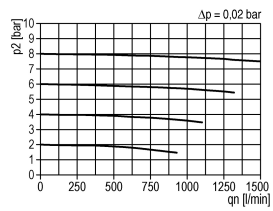
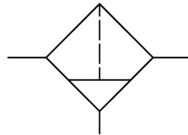


Image shows:
91311.CC00

flow characteristic



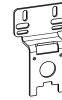
symbol



technical data

- **description:** prefilter
- **medium:** compressed air, neutral gases
- **supply pressure P1 min.:** 1,5 bar
- **supply pressure P1 max.:** 16 bar
- **temperature range:** 0 - 50°C
- **bowl:** PC with PA bowl guard
- **drain:** HA
- **mounting:** vertical
- **filter element:** 0,3 µm
- **particle separation:** 99.999%

accessories



- **mounting bracket:**
[KBW.1-1225](#)



- **coupling kit wall mounting:**
[KKOP.1W](#)

- **differential pressure display**



- **differential pressure gauge:**
[DM.2](#)

Service 3 unit

Service 2 unit

Filter regulator

Filter

Pressure regulator

Lubricator

System extensions

Accessories

Special products

type	part-number	description
KPFI-114	91311.CC00	Prefilter G1/4 0,3µm with PC bowl, bowl guard and semi automatic drain
KPFI-114 AM	91311.CC01	Prefilter G1/4 0,3µm with PC bowl, bowl guard and automatic drain
KPFI-114 H	91311.CC50	Prefilter G1/4 0,3µm with metal bowl and semi automatic drain
KPFI-114 H AM	91311.CC51	Prefilter G1/4 0,3µm with metal bowl and automatic drain
KPFI-138	91311.DD00	Prefilter G3/8 0,3µm with PC bowl, bowl guard and semi automatic drain
KPFI-138 AM	91311.DD01	Prefilter G3/8 0,3µm with PC bowl, bowl guard and automatic drain
KPFI-138 H	91311.DD50	Prefilter G3/8 0,3µm with metal bowl and semi automatic drain
KPFI-138 H AM	91311.DD51	Prefilter G3/8 0,3µm with metal bowl and automatic drain

Service 3 unit

Service 2 unit

Filter regulator

Filter

Pressure regulator

Lubricator

System extensions

Accessories

Special products

Prefilter | BG2



Image shows:
91312.DD00

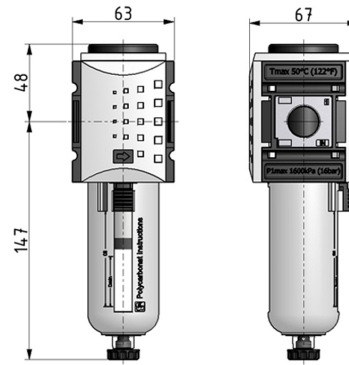
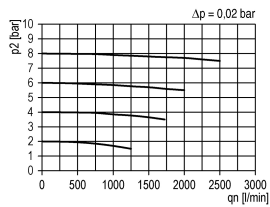
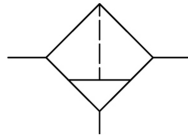


Image shows:
91312.DD00

flow characteristic



symbol



technical data

- **description:** prefilter
- **medium:** compressed air, neutral gases
- **supply pressure P1 min.:** 1,5 bar
- **supply pressure P1 max.:** 16 bar
- **temperature range:** 0 - 50°C
- **bowl:** PC with PA bowl guard
- **drain:** HA
- **mounting:** vertical
- **filter element:** 0,3 μm
- **particle separation:** 99.999%

accessories

- **mounting bracket:** [KBW.2-1225](#)
- **coupling kit wall mounting:** [KKOP.2W](#)
- **differential pressure display:** [DM.2](#)

Service 3 unit

Service 2 unit

Filter regulator

Filter

Pressure regulator

Lubricator

System extensions

Accessories

Special products

type	part-number	description
KPFI-238	91312.DD00	Prefilter G3/8 0,3µm with PC bowl, bowl guard and semi automatic drain
KPFI-238 AM	91312.DD01	Prefilter G3/8 0,3µm with PC bowl, bowl guard and automatic drain
KPFI-238 H	91312.DD50	Prefilter G3/8 0,3µm with metal bowl and semi automatic drain
KPFI-238 H AM	91312.DD51	Prefilter G3/8 0,3µm with metal bowl and automatic drain
KPFI-212	91312.EE00	Prefilter G1/2 0,3µm with PC bowl, bowl guard and semi automatic drain
KPFI-212 AM	91312.EE01	Prefilter G1/2 0,3µm with PC bowl, bowl guard and automatic drain
KPFI-212 H	91312.EE50	Prefilter G1/2 0,3µm with metal bowl and semi automatic drain
KPFI-212 H AM	91312.EE51	Prefilter G1/2 0,3µm with metal bowl and automatic drain

Service 3 unit

Service 2 unit

Filter regulator

Filter

Pressure regulator

Lubricator

System extensions

Accessories

Special products

Prefilter | BG4



Image shows:
91314.FF00

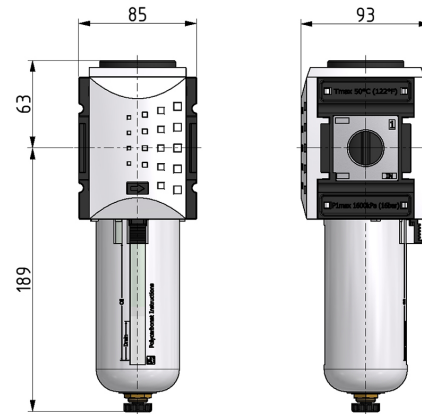
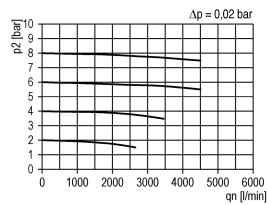
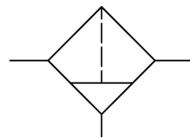


Image shows:
91314.FF00

flow characteristic



symbol



technical data

- **description:** prefilter
- **medium:** compressed air, neutral gases
- **supply pressure P1 min.:** 1,5 bar
- **supply pressure P1 max.:** 16 bar
- **temperature range:** 0 - 50°C
- **bowl:** PC with PA bowl guard
- **drain:** HA
- **mounting:** vertical
- **filter element:** 0,3 μm
- **particle separation:** 99.999%

accessories



- **mounting bracket:**
[KBW.4-1225](#)



- **coupling kit wall mounting:**
[KKOP.4W](#)

- **differential pressure display**



- **differential pressure gauge:**
[DM.2](#)

Service 3 unit

Service 2 unit

Filter regulator

Filter

Pressure regulator

Lubricator

System extensions

Accessories

Special products

type	part-number	description
KPFI-434	91314.FF00	Prefilter G3/4 0,3µm with PC bowl, bowl guard and semi automatic drain
KPFI-434 AM	91314.FF01	Prefilter G3/4 0,3µm with PC bowl, bowl guard and automatic drain
KPFI-434 H	91314.FF50	Prefilter G3/4 0,3µm with metal bowl and semi automatic drain
KPFI-434 H AM	91314.FF51	Prefilter G3/4 0,3µm with metal bowl and automatic drain
KPFI-41	91314.GG00	Prefilter G1 0,3µm with PC bowl, bowl guard and semi automatic drain
KPFI-41 AM	91314.GG01	Prefilter G1 0,3µm with PC bowl, bowl guard and automatic drain
KPFI-41 H	91314.GG50	Prefilter G1 0,3µm with metal bowl and semi automatic drain
KPFI-41 H AM	91314.GG51	Prefilter G1 0,3µm with metal bowl and automatic drain

Service 3 unit

Service 2 unit

Filter regulator

Filter

Pressure regulator

Lubricator

System extensions

Accessories

Special products