

Regulator G 1/4, with pressure supply on both sides

item	type	RB.01	
port size		G 1/4	
description		air line regulator with diaphragm and relieving feature	
mounting		arbitrary	
supply pressure		Pe max. 16 bar	
reduced pressure		Pa 0,5-10 bar standard, 0,1-3 bar, 0,2-6 bar	
media and ambient			
temperature		max. 60°C (other temperature ranges available upon request)	
fixing		panel mounting, bracket	
weight		0,260 kg (0,365 kg type with lock device)	



technical modifications keep in reserve!

(repair kit: ESA-RB.01)

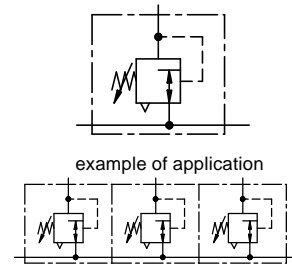
replacement parts

no	description	material	order-no
1	body	zinc - Z 410	---
2	spring cage C.00-72	POM - Ms	8.2100.72.000
3	diaphragm assembly	NBR - Ms	
4	spring 0-10 bar C.11-83	St.-galvanized	5.2111.83.000
5	valve cone	NBR - Ms	
6	spring DR.00-70	niro	5.1500.70.000
7	O-ring 16 x 2	NBR	
8	bonnet R.00-10	Ms	7.1700.10.000
9	spring cage lockable C.11-K	POM - Al	8.2111.72.001
10	lock cylinder C.33-52	Ms	5.2133.52.000

page: RB.01 (11/02)

application information

- easy block assembly for components to be connected in series
- interlocking of several individual devices requires coupling kit(s) KP.00 (Pe max. 12 bar)
- adjusting knob can be locked by depressing



series 0

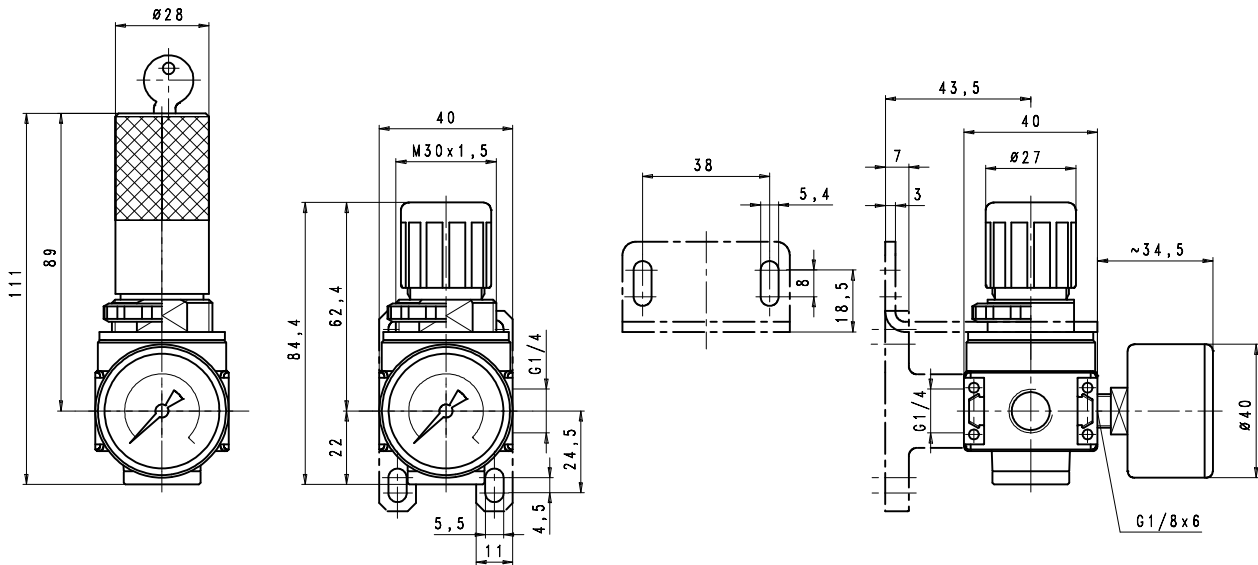
ordering information

RB.	01	★	★
type		reduced pressure	
1 port size		2 option	

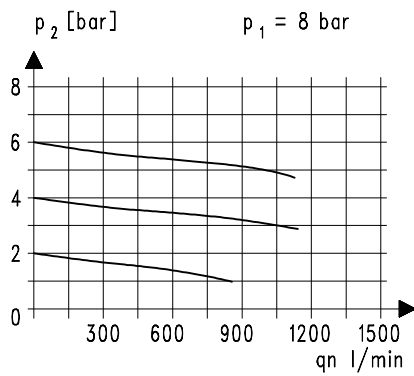
ordering example: RB.01 G S 0,1-3

port size	
1	01 G 1/4
options	
2	G gauge ø40
	S panel mounting
	K keylock

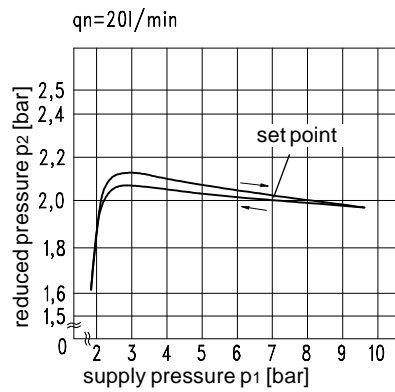
dimensions (mm)



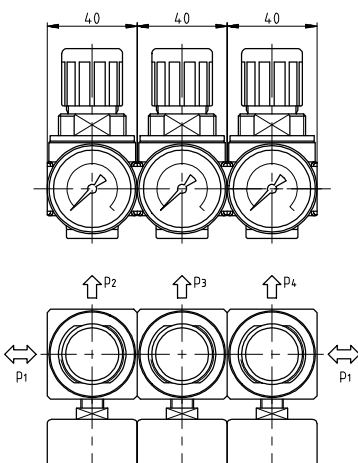
flow characteristics



pressure characteristic

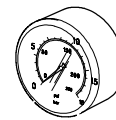


various application



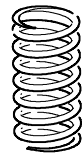
Zubehör

gauge



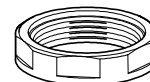
type:
G 40. 3/ 6 R
G 40. 6/10 R
G 40.10/16 R

spring



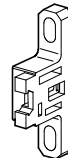
type:
0,1- 3: C.11-81
0,2- 6: C.11-82

panel mounting
ring M 30 x 1,5



type: C.00-34

mounting bracket
assembly



type: ZW.00

mounting bracket



type: MW.30