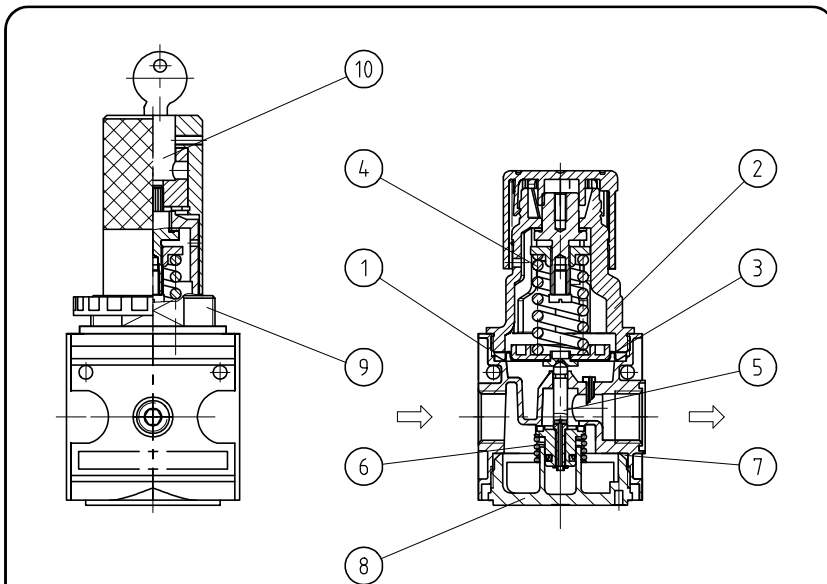


# Regulator G 1/4, with pressure supply on both sides

item	type	RB.11	
port size		G 1/4	
description		air line regulator with diaphragm and relieving feature	
mounting		arbitrary	
supply pressure		Pe max. 16 bar	
reduced pressure		Pa 0,5-10 bar standard, 0,1-3 bar, 0,2-6 bar, 0,5-16 bar	
media and ambient			
temperature		max. 60°C (other temperature ranges available upon request)	
fixing		panel mounting, bracket or through	
		2 holes in the body	
weight		0,415 kg, (0,330 kg without gauge)	
		0,530 kg type with lock device	



technical modifications keep in reserve!



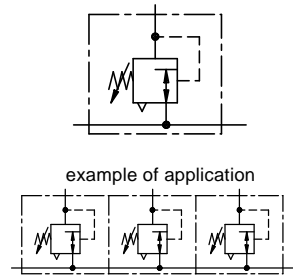
### replacement parts

(repair kit: ESA-R/C.11)

no	description	material	order-no.
1	body	zinc - Z 410	---
2	spring cage C.00-72	POM - Ms	8.2100.72.000
3	diaphragm assembly	NBR - Ms	
4	regulating spring 0-10 bar	St. - galvanized	5.2111.83.000
5	valve cone	NBR-Ms-POM	
6	spring C.11-87	niro	5.2111.87.000
7	O-ring 30 x 2	NBR	
8	bonnet R.11-10	POM	3.1711.10.000
9	spring cage lockable	POM - Al	8.2111.72.001
10	lock cylinder C.33-52	Ms	5.2133.52.000

### application information

- easy block assembly for components to be connected in series
- interlocking of several individual devices requires coupling kit(s) KP.11
- interlocking of several individual devices with narrow distributor Z.11 requires coupling kit(s) KP.11 Z
- adjusting knob can be locked by depressing
- at long interlinkages is additional pressure supply with intermediate mounting of distributor T.11 and Z.11 possible



### series 1

### ordering information

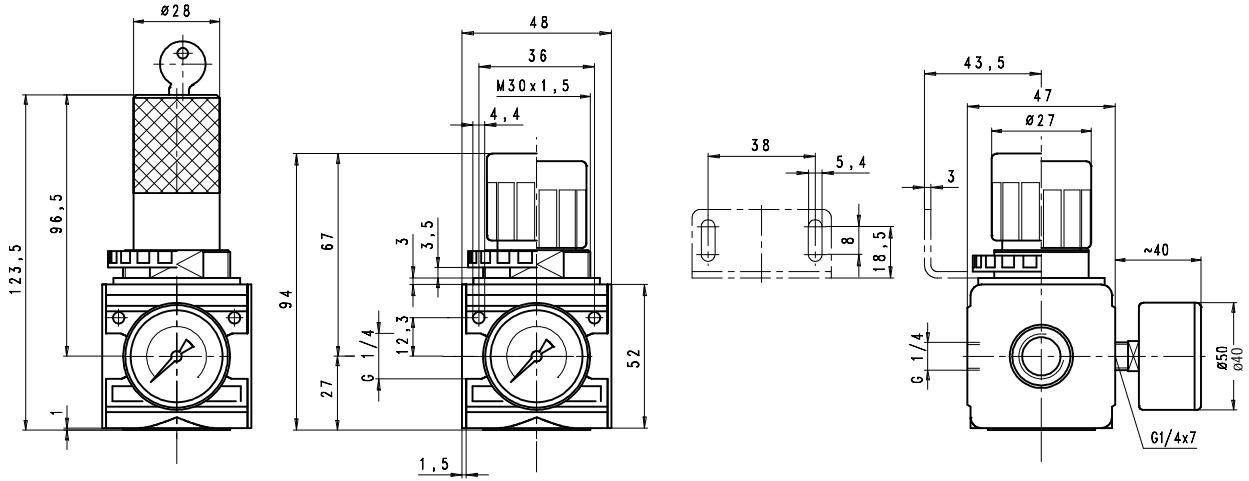
RB. 11		★	★
type			reduced pressure
1	port size	2	options

### ordering example: RB.11 G S 0,1-3

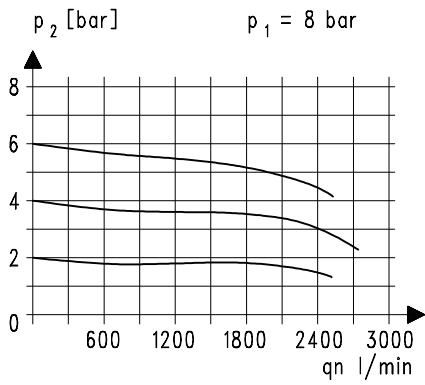
port size	
1	11 G 1/4
options	
2	G gauge ø40
	S panel mounting
	K keylock

page: RB.11 (06/03)

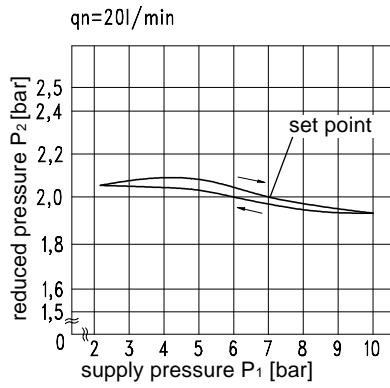
# dimensions (mm)



### flow characteristics

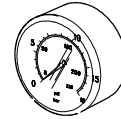


### pressure characteristic



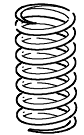
### accessories

gauge



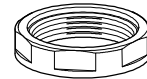
type:  
G 40. 3/ 6 R  
G 40. 6/10 R  
G 40.10/16 R

spring



type:  
0,1- 3: C.11-81  
0,2- 6: C.11-82  
0,5-16: C.11-66

panel mounting  
ring M 30 x 1,5



type: C.00-34

mounting bracket



type: ZW.11



type: MW.30

### various application

