

Pressure regulator with gauge inside the setting knob | BG1



Image shows:
9.1711.011

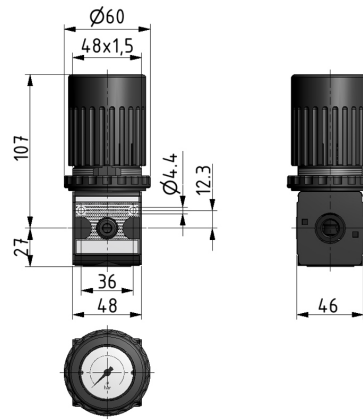
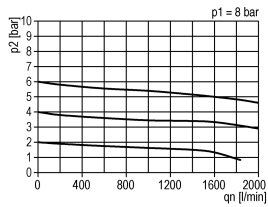
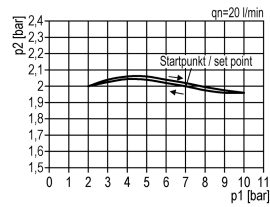


Image shows:
9.1711.011

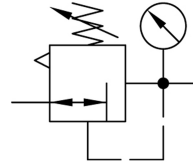
flow characteristic



pressure characteristic



symbol



technical data

- **description:** air line regulator with diaphragm and relieving feature
- **medium:** compressed air, neutral gases
- **supply pressure P1 max.:** 16 bar
- **temperature range:** 0 - 60°C
- **control panel nut:** control panel nut

accessories

type	part-number	description
RG.11 S	9.1711.011	Pressure regulator G1/4 0,5-10 with gauge G 40.16 R inside the setting knob and panel mounting ring
RG.12 S	9.1712.011	Pressure regulator G3/8 0,5-10 with gauge G 40.16 R inside the setting knob and panel mounting ring