

Standard executions		
Version	Symbol	Type
Single acting magnetic with female thread		CIXS
Double acting magnetic with female thread		CIX
Double acting magnetic anti-rotating		CIXN



	II 2Gc IIC T5 II 2Dc T100°C
--	--

On request, they can be supplied according to 2014/34/EU - ATEX

Lubrication with synthetic grease long lasting for applications with low start up, granting low friction and a permanent lubrication film. Fully composed by non-toxic elements conforming to directive FDA section 21 CFR 178 about accidental contact with food (registered NSF H1).

Series of stainless steel compact cylinders conforming to ISO 21287 standards.

Round tube and external tie-rods are the features of this cylinder with clean design and attention to details.

A particular attention was put to the end caps where there are no cavities, thus eliminating contamination traps.

All series CIX is with elastic dampers on the piston

Only magnetic version available

One or more magnetic reed switches can be mounted.

For the magnetic reed switches type ASV see from page 1.110.1.

For mounting accessories see from page 5.40.1

For rod accessories see from page 5.20.1 and 5.25.1

Options	Suffix
Single acting, rear spring (page 5.16.4)	T
Male thread on piston-rod (page 5.16.4)	M
Through-rod (page 5.16.4)	P
Seals FKM -20°C ÷ +150°C	V
Scraper ring only FKM -20°C ÷ +80°C	V1
Low temperature seals -40°C ÷ +80°C	BT
Extended rod (indicate the requested WH dimension in mm. E.g.: WH-50)	WH-...
Special on request	/S

The options can be combined (when this is possible).

The suffix of the options are to be added to the model number of the standard product, as shown in the following table.

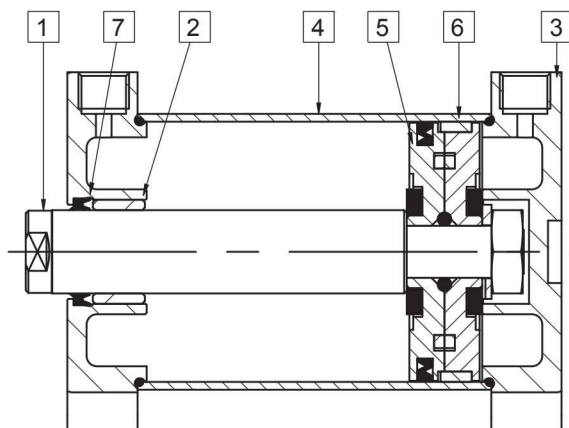
How to order: 63/100CIXMP

63	/	100	CIX	M	P
Bore	/	Stroke	Type	Option	Option

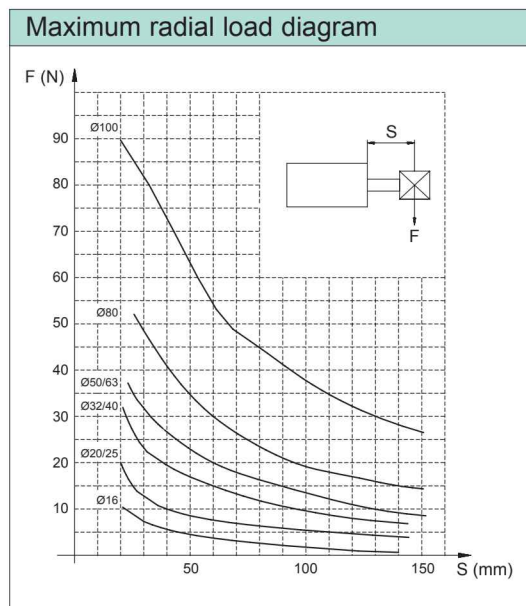
How to order: 32 / SG / CIXP

32	/	SG	/	CIX	P
Bore	/	Seal kit	/	Type	Option

Seals kits	
n. 1	Rod seal
n. 2	Tube O-ring
n. 1	Piston lip-seal



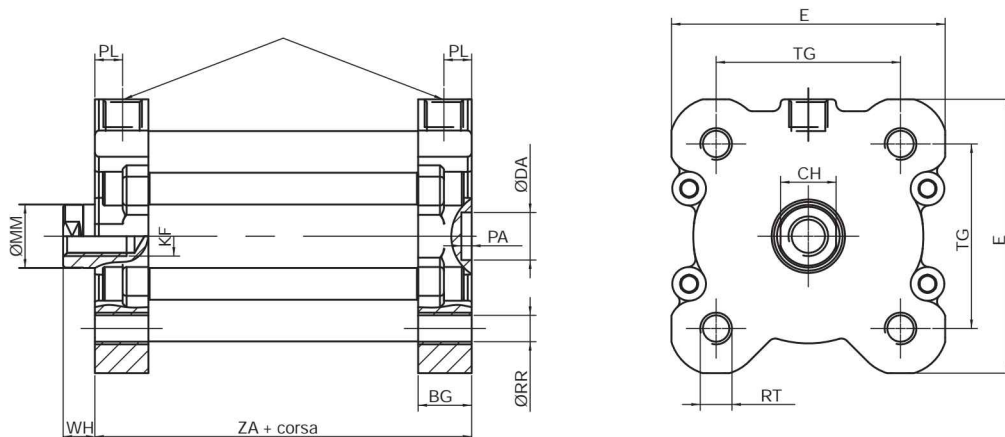
Materials (standard types)		
1	Rod	Stainless steel AISI 316L
2	Bushing	Sintered bronze self-lubricated
3	Heads	Stainless steel AISI 316L
4	Tube	Stainless steel AISI 316L
5	Piston	Aluminium
6	Guide ring	PTFE
7	Rod seals	Polyurethane
	Other seals	Nitrilic rubber NBR



Technical data			
Fluid	Compressed filtered air with or without lubrication. Lubrication, if started, must be continued.		
Pressure	Single acting 2 ÷ 10 bar - Double acting 1 ÷ 10 bar		
Temperature range	-20°C ÷ +80°C (standard /V1)	-20°C ÷ +150°C (V)	-40°C ÷ +80°C (BT)

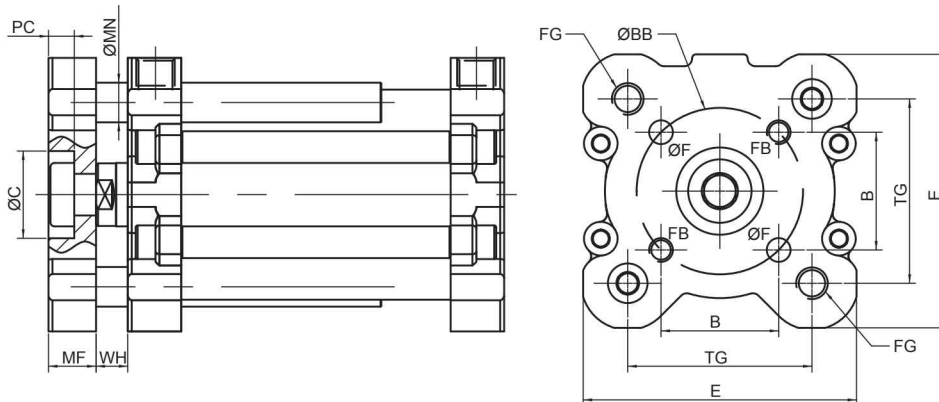
Bore (mm)	Standard strokes CIXS	Standard strokes CIX	Standard strokes CIXN
25	5, 10, 15, 20, 25 (5÷25)	5, 10, 15, 20, 25, 30, 40, 50, 60 (5÷300)	5, 10, 15, 20, 25, 30, 40, 50, 60 (5÷200)
32	5, 10, 15, 20, 25 (5÷25)	5, 10, 15, 20, 25, 30, 40, 50, 60, 80 (5÷400)	5, 10, 15, 20, 25, 30, 40, 50, 60, 80 (5÷300)
40	5, 10, 15, 20, 25 (5÷25)	5, 10, 15, 20, 25, 30, 40, 50, 60, 80 (5÷400)	5, 10, 15, 20, 25, 30, 40, 50, 60, 80 (5÷300)
50	5, 10, 15, 20, 25 (5÷25)	5, 10, 15, 20, 25, 30, 40, 50, 60, 80 (5÷400)	5, 10, 15, 20, 25, 30, 40, 50, 60, 80 (5÷300)
63	5, 10, 15, 20, 25 (5÷25)	5, 10, 15, 20, 25, 30, 40, 50, 60, 80 (5÷400)	5, 10, 15, 20, 25, 30, 40, 50, 60, 80 (5÷300)
80	15, 20, 25 (15÷25)	15, 20, 25, 30, 40, 50, 60, 80 (15÷500)	15, 20, 25, 30, 40, 50, 60, 80 (15÷400)
100	15, 20, 25 (15÷25)	15, 20, 25, 30, 40, 50, 60, 80, 100 (15÷500)	15, 20, 25, 30, 40, 50, 60, 80, 100 (15÷400)

Type: CIX - CIXS



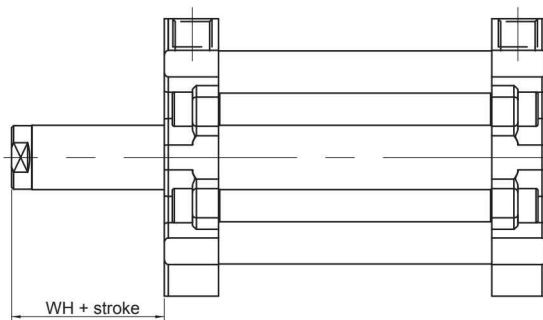
Ø (mm)	Ø MM f7	AF	WH	ZA	ZB	KF	EE	BG	RR	TG	E	RT	PL	CH	Ø DA H9	PA +0.1
25	10	10	6	39	45	M6	M5	15	4,1	26	40	M5	5	8	9	2,1
32	12	-	7	44	51	-	G 1/8	16	-	32,5	47,5	M6	7	10	9	2,1
40	12	12	7	45	52	M8	G 1/8	16	5,1	38	55	M6	7,5	10	9	2,1
50	16	16	8	45	53	M10	G 1/8	16	6,4	46,5	66	M8	7,5	14	12	2,6
63	16	16	8	49	57	M10	G 1/8	16	6,4	56,5	78	M8	7	14	12	2,6
80	20	20	10	54	64	M12	G 1/8	17	8,4	72	96	M10	8	17	12	2,6
100	20	20	10	67	77	M12	G 1/8	17	8,4	89	116	M10	8,5	17	12	2,6

Type: ...N



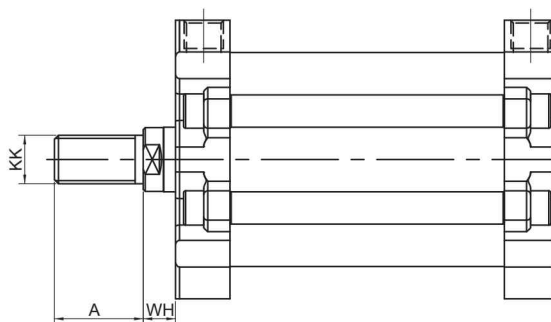
Ø (mm)	WH	MF +0,1	E	TG	B	FG	ØBB ±0,1	ØF +0,1	FB	ØC H9	PC	MN f7
25	6	8	40	26	15.6	M5	22	5	M5	14	4,5	6
32	7	10	47.5	32,5	19.8	M6	28	5	M5	17	5,5	8
40	7	10	55	38	23.3	M6	33	5	M5	17	5,5	8
50	8	12	66	46,5	29.7	M8	42	6	M6	22	6,5	10
63	8	12	78	56,5	35.4	M8	50	6	M6	22	6,5	10
80	10	14	96	72	46	M10	65	8	M8	24	7,5	10
100	10	14	116	89	56.6	M10	80	10	M10	24	7,5	12

Type: ...T

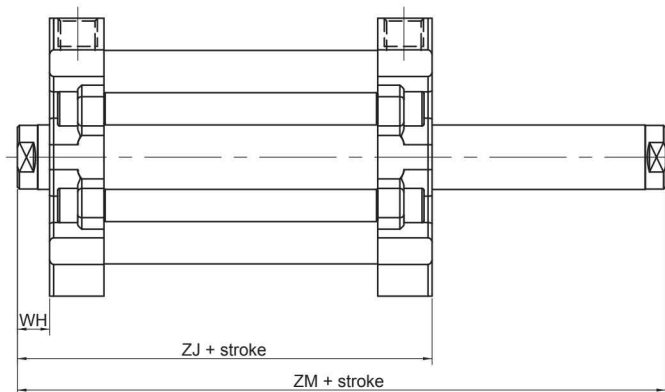


Available stroke: 1÷25

Type: ...M



Type: ...P



Ø (mm)	A	KK	WH	ZJ	ZM
25	16	M8x1.25	6	45	51
32	19	M10x1.25	7	51	58
40	19	M10x1.25	7	52	59
50	22	M12x1.25	8	53	61
63	22	M12x1.25	8	57	65
80	28	M16x1.5	10	64	74
100	28	M16x1.5	10	77	87