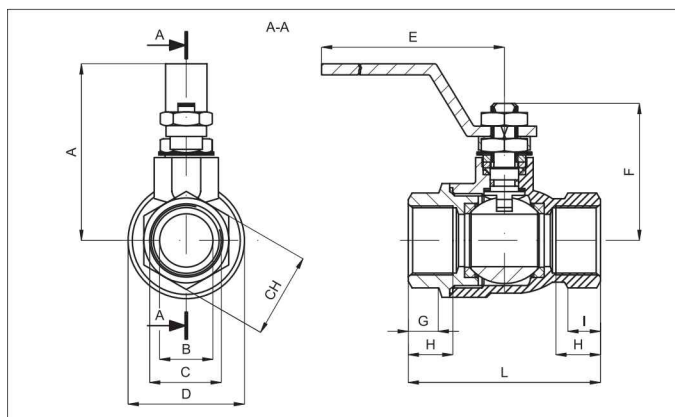


| Standard executions | | | |
|---------------------|--------|--------|-----------|
| Version | Symbol | Code | Item |
| 1/4" | | 030681 | VSLX014FF |
| 3/8" | | 030682 | VSLX038FF |
| 1/2" | | 030683 | VSLX012FF |
| 3/4" | | 030684 | VSLX034FF |
| 1" | | 030685 | VSLX100FF |
| 1 1/4" | | 030686 | VSLX114FF |
| 1 1/2" | | 030687 | VSLX112FF |
| 2" | | 030688 | VSLX200FF |



Series of stainless steel ball valves full bore with long lever and manually operated. In line mounting they work to close or open the air flow in both directions. For use in the alimentary and chemical fields.



| C | A | B | D | E | F | G | H | I | L | CH | Weight (g) |
|--------|-----|----|------|-----|----|------|------|------|-----|------|------------|
| 1/4" | 52 | 8 | 29 | 110 | 37 | 8,5 | 11,4 | 8 | 50 | 21,5 | 220 |
| 3/8" | 52 | 10 | 29 | 110 | 37 | 8,5 | 11,4 | 8 | 50 | 21,5 | 205 |
| 1/2" | 55 | 15 | 34 | 110 | 42 | 10 | 15 | 9,5 | 60 | 26,5 | 275 |
| 3/4" | 66 | 20 | 42,5 | 140 | 52 | 11,5 | 16,3 | 11,5 | 70 | 31,5 | 465 |
| 1" | 70 | 25 | 50,5 | 140 | 56 | 14 | 19,1 | 13,5 | 85 | 40,5 | 710 |
| 1 1/4" | 85 | 32 | 63 | 180 | 68 | 15,5 | 21,4 | 16 | 95 | 49,5 | 1180 |
| 1 1/2" | 91 | 40 | 75,5 | 180 | 74 | 18,5 | 21,4 | 16 | 105 | 54,5 | 1740 |
| 2" | 105 | 50 | 91 | 230 | 87 | 22,5 | 25,7 | 23,5 | 125 | 69,5 | 2930 |

| Technical data | |
|-------------------|---|
| Fluid | Compressed air, water, steam, inert gases and fluids |
| Pressure | 1/4" - 3/8" - 1/2"= 100 bar 3/4"-1"= 64 bar 1 1/4"-1 1/2"-2"= 40 bar |
| Temperature range | -20 °C ÷ + 150°C |
| Orifice | 1/4"-3/8"= 10 mm 1/2"= 15 mm 3/4"= 20 mm 1"= 25 mm 1 1/4"= 32 mm 1 1/2"= 40 mm 2"= 50 mm |
| Flow | 1/4" - 3/8"= 3.000 l/min 1/2"= 11.500 l/min 3/4"= 21.000 l/min 1"= 33.000 l/min 1 1/4"= 50.000 l/min 1 1/2"= 84.000 l/min 2"= 97.000 l/min. |
| Mounting | In-line |
| Materials | Body: Stainless steel AISI 316 Lever: Stainless steel AISI 316 Ball: Stainless steel AISI 316 Seal: PTFE - FKM |