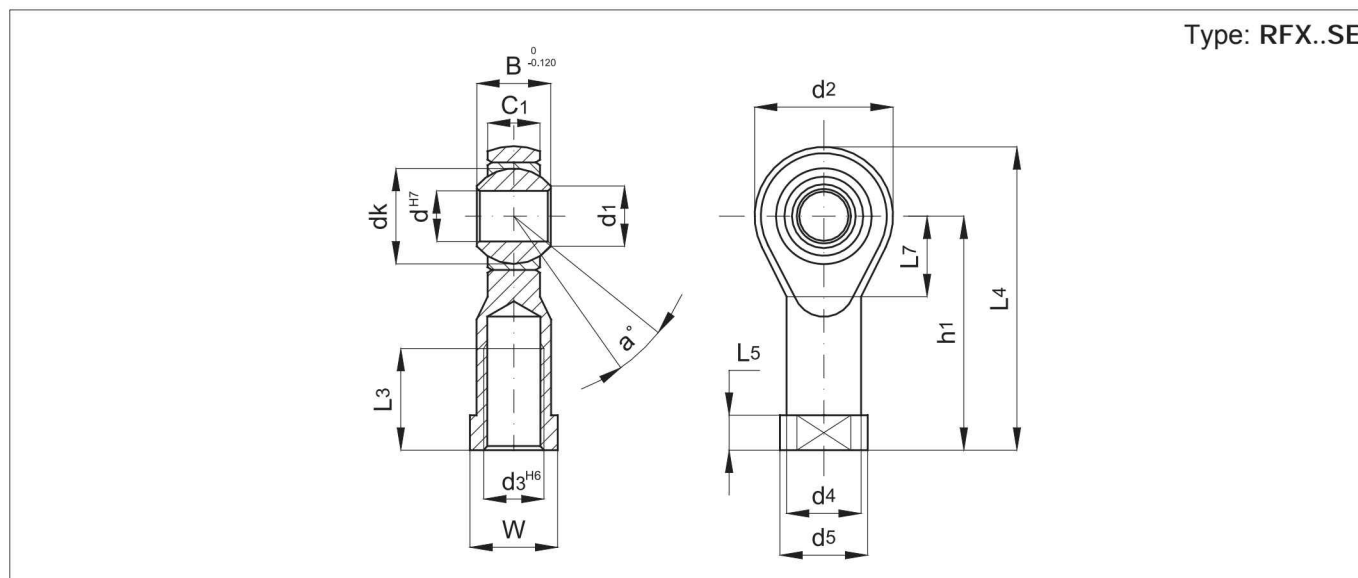


Standard executions		
Version	Symbol	Type
With female thread		RFX..SE



Self-lubricating bearing heads servicing-free and conforming to DIN 648-K and ISO 8139 standards.
The bearing head is mounted on the cylinder rod.

Technical data	
Temperature range	-30 °C ÷ +150 °C
Materials	Body: Stainless Steel AISI 431 Sphere: Stainless Steel AISI 316 External ring: Stainless Steel AISI 316 TI



Code	Item	For cylin. ISO ø mm	d	d ₃	B	C ₁	d ₁	d ₂	d ₄	d ₅	dk	h ₁	L ₃	L ₄	L ₅	L ₇	W	Static load (daN)	a°	Weight (g)
041576	RFX4SE	8-10	5	M4	8	6	7,7	18	9	11	11,112	27	10	36	4	10	9	600	13	19
041570	RFX6SE	12-16	6	M6	9	6,75	8,9	20	10	13	12,700	30	12	40	5	11	11	700	13	26
041577	RFX8SE	20	8	M8	12	9	10,4	24	12,50	16	15,875	36	16	48	5	13	14	1200	14	46
040009	RFX10SE	25-32	10	M10x1,25	14	10,50	12,9	28	15	19	19,050	43	20	57	6,5	15	17	1400	13	75
041578	RFX12SE	40	12	M12x1,25	16	12	15,4	32	17,50	22	22,225	50	22	66	6,5	17	19	1900	13	112
040011	RFX16SE	50-63	16	M16x1,5	21	15	19,3	42	22	27	28,575	64	28	85	8	23	22	4800	15	220
041579	RFX20SE	80-100	20	M20x1,5	25	18	24,3	50	27,50	34	34,925	77	33	102	10	27	30	5200	14	406
041580	RFX30SE	125	30	M27x2	37	25	34,8	70	40	50	50,800	110	51	145	15	36	41	10800	17	1120
041581	RFX35SE	160-200	35	M36x2	43	28	37,7	80	46	58	57,150	125	56	165	17	41	50	12400	19	1595