

Standard executions		
Version	Symbol	Type
Rear clevis (with pin)		CFX..AQM
Foot flange		PX..AQM
Heads nut		GHX..AQM
Pins		SECX..AQM



Technical data	
Materials	Body: Stainless steel AISI 304 Bushes: DELRIN

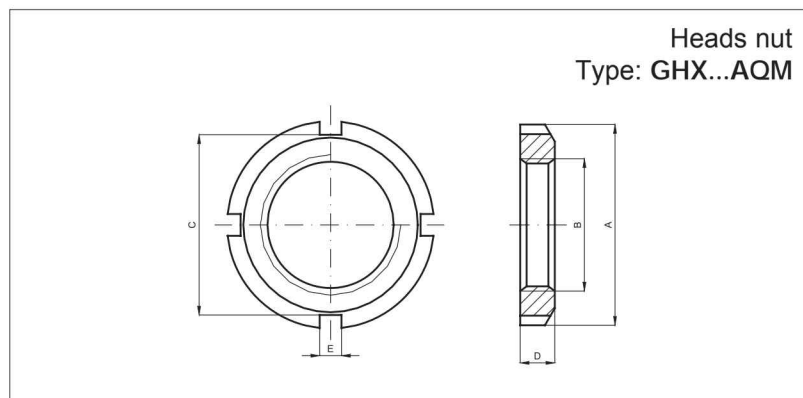
Rear clevis
Type: CFX..AQM

Kit provided with two pins

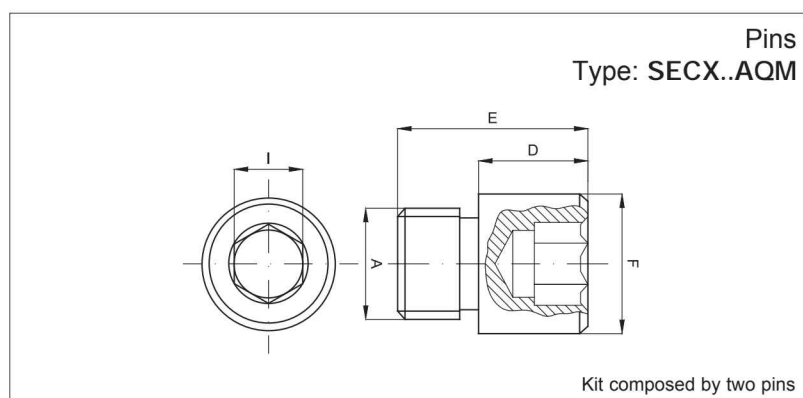
Code	Item	Ø mm	A	A ₁	A ₂	A ₃	B	C	D	E	F	G	G ₁	H	H ₁	H ₂	H ₃	H ₄	CH	I	L	P	Q
040113	CFX32AQM	32	40	18	6	6	24	20	20	35	38,1	4	4	12	10	M8x1	12	10	13	7	8	12	4
040111	CFX40AQM	40	50	21,6	7	7	30	28	27	40	46,1	5	5	15	12	M10x1	15	12	17	9	10	13	5
040139	CFX50AQM	50	54	26,4	9	8,5	34	36	30	45	57,1	6	6	18	14	M12x1,5	20	14	19	9	10	14	6
040031	CFX63AQM	63	65	33,5	13	8,5	35	42	34	50	70,1	6	6	20	16	M14x1,5	23	16	19	9	15	16	6

Foot flange
Type: PX..AQM

Code	Item	Ø mm	A	B	C	D	E	F	G	H	I	Ø L	Ø M	Ø N	P	Q	R
040119	PX32AQM	32	66	49	21	4	52	14	28	14	28	30	7	7	7	4	2
040120	PX40AQM	40	80	58	30	5	60	18	30	20	33	38	9	9	10	5	2
040137	PX50AQM	50	90	70	30	6	70	20	40	20	40	45	9	9	10	6	2
040138	PX63AQM	63	96	80	30	6	76	20	50	20	45	45	9	9	10	6	2



Code	Item	Ø mm	A	B	C	D	E
040069	GHX32AQM	32	Ø 45	M30x1,5	40	7	5
040187	GHX40AQM	40	Ø 50	M38x1,5	46	8	5
040188	GHX50/63AQM	50/63	Ø 58	M45x1,5	52	9	6



Code	Item	Ø mm	A	D	E	F	I
040174	SECX32AQM	32	M8x1	8	14	Ø 10	5
040175	SECX40AQM	40	M10x1	9,5	16,5	Ø 12	6
040176	SECX50AQM	50	M12x1,5	11	20	Ø 14	6
040177	SECX63AQM	63	M14x1,5	13	28	Ø 16	8