

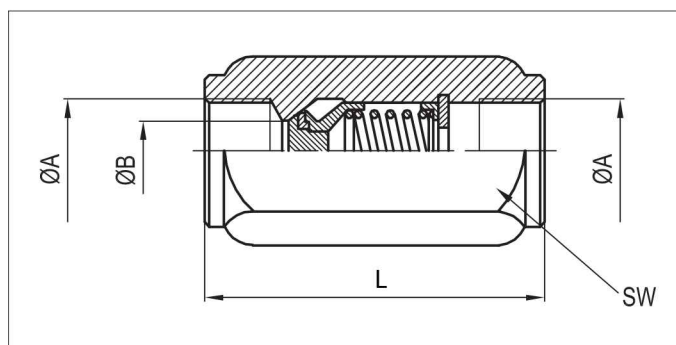
Standard executions			
Version	Symbol	Code	Item
1/8"		030110	1FFX
1/4"		030111	2FFX
3/8"		030112	3FFX
1/2"		030113	4FFX
3/4"		030114	5FFX
1"		030115	6FFX
1 1/4"		030129	14FFX
1 1/2"		030130	12FFX
2"		030131	20FFX

Note: available on request with NPTF thread.



Series of uni-directional ball valves from hexagonal bar, female threaded.

In line mounting they allow the compressed air to flow in one direction only; therefore, they are useful in those applications where no return of the compressed air to the supply is admitted.



A	L	SW	Ø B	Orifice mm <sup>2</sup>	PMax bar	Weight (g)
1/8"	42	14	5	18	350	50
1/4"	50	19	7	22	350	90
3/8"	60	24	10	42	350	160
1/2"	65	27	11	75	350	280
3/4"	75	34	17	126	300	350
1"	93	41	21	230	250	580
1" 1/4	110	50	29	340	250	360
1" 1/2	112	55	34	509	250	1020
2"	120	75	48	1640	200	2200

Technical data	
Fluid	Compressed filtered air with or without lubrication
Pressure	from 0,5 bar to see table
Temperature range	-20 °C ÷ + 150°C
Orifice	see table
Flow	
Mounting	In-line
Materials	Body: Stainless steel AISI 316 Spring: Stainless steel AISI 316 Seal: FKM