

Standard executions			
Version	Symbol	Code	Item
3/2 NC		037004	AX1E230
3/2 NO		037009	AX1E231
3/2 solenoid/solenoid		037010	AX1E232
3/2 NC external air pilot		037011	AX1K230
3/2 solenoid/solenoid external air pilot		037012	AX1K232

New



New series of "AX" valves with functions 3/2 connections in line on the body, electric and electric servo pilot.

They are manufactured in AISI 316L stainless steel, especially suitable in the food, chemical, pharmaceutical, Oil & Gas and mining industry.

AX valves are manufactured according to 2014/34/EU Directive to be used in potentially explosive environment.

II 2Gc IIB T5
II 2Dc T100°C

Coils and connectors have to be ordered separately:

- For the coils type ASA12... see page 2.200.1
- For the coils type ASA2... see page 2.200.10
- For the coils type ASA34... (only for EG/KG) see page 2.200.30
- For connector see what suggested for the coil

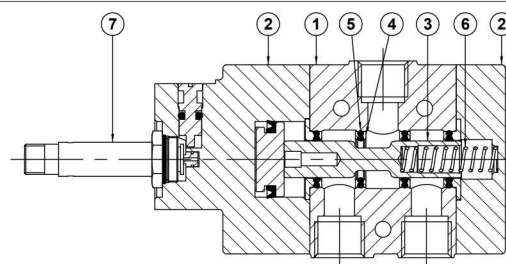
For the ATEX valves with coils Ex see version XX-XA-XB-XC-XD from page 5.81.1

Code key				
Series	Actuation	Size	Function	Option
AX1 = Standard AXX1* = Completely in stainless steel	E = electrical Ø9 K = electrical Ø9 external air pilot EG** = electrical Ø13 KG** = electrical Ø13 external air pilot	2 = 1/4 Gas 2N = 1/4 NPT	30 = 3/2 NC 31 = 3/2 NO 32 = 3/2 solenoid/solenoid	V = Seals FKM

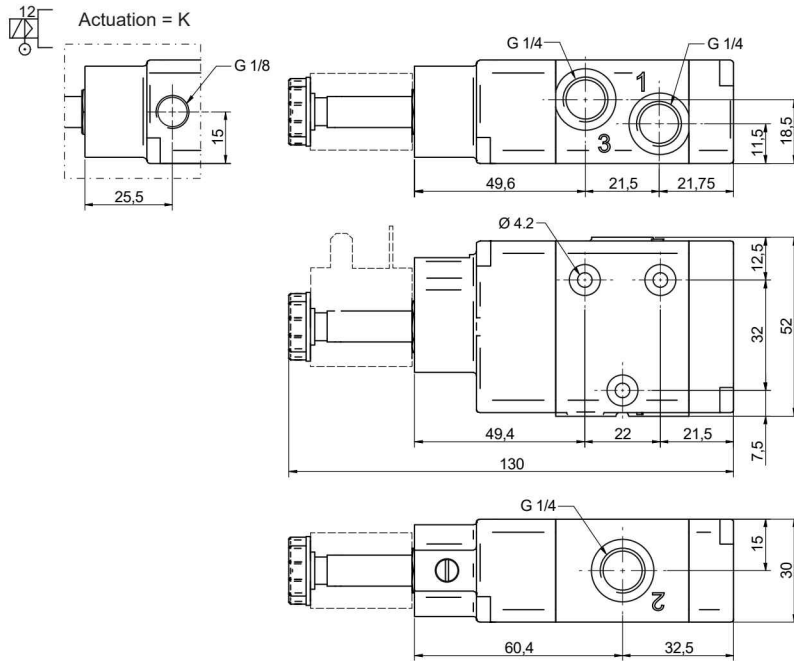
*On request

** For actuation EG/KG use coils type ASA34

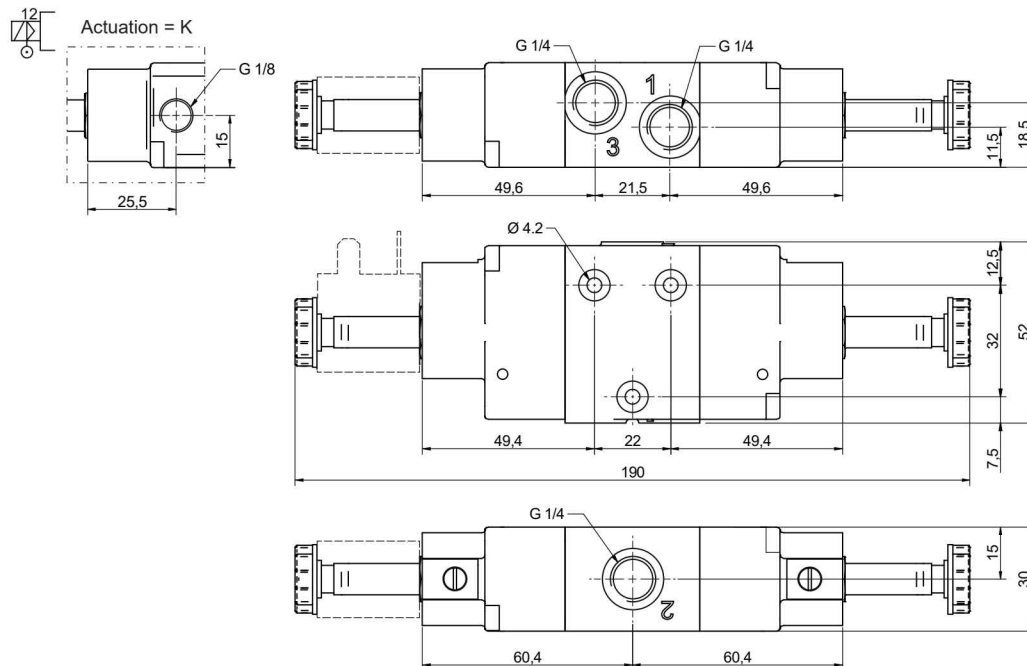
Technical data		
Fluid	Compressed filtered air with or without lubrication. Lubrication, if started, must be continued.	
Threaded connection	1/4 Gas - 1/4 NPT	
Pressure range	Standard	Spring return: 2,5 ÷ 10 bar (E - K) Bistable: 1 ÷ 10 bar (E - K)
	High pressure	Spring return: 2,5 ÷ 12 bar (EG - KG) Bistable: 1 ÷ 12 bar (EG - KG)
Minimum external air pressure	1,5 bar (K - KG)	
Temperature range	-25°C ÷ +70°C (standard) -10°C ÷ +90°C (V)	
Protection grade	-	
Ø Orifice	8 mm	
Flow	1.100 NI/min at 6 bar with ΔP 1 bar	
Mounting	In any position (vertical assembly is not recommended for bistable valves subjected to vibration)	
Manual override	Bistable	
Response time (at 6 bar)	Energising: - ms	Energising: - ms
	De-energising: - ms	De-energising: - ms
Materials	(1) Body:	Stainless steel AISI 316L
	(2) Cover:	Stainless steel AISI 316L
	(3) Spool:	Hard aluminium anodized (AX1 series) Stainless steel AISI 316 (AXX1 series)
	(4) Distancers:	1xf 1022 (AX1 series) Stainless steel AISI 316 (AXX1 series)
	(5) Seals:	Hydrogenate Nitrile Butadine Rubber (HNBR)
	(6) Spring:	Stainless steel
	(7) Operator:	Stainless steel



Valves series AX1
1/4", 3/2, IN LINE interface, electrically operated



Version	Symbol	Code	Item
3/2 NC		037004	AX1E230
3/2 NO		037009	AX1E231
3/2 NC external air pilot		037011	AX1K230



Version	Symbol	Code	Item
3/2 solenoid/solenoid		037010	AX1E232
3/2 solenoid/solenoid external air pilot		037012	AX1K232