

SAO Series

Oval Flat Suction Cup



Features

- ◇ Oval Flat structure, suitable for handling long and thin workpiece.
- ◇ Suction cup with different materials are suitable for different workpieces.
- ◇ Various sizes, suitable for workpiece with different sizes.

Applications

- ◇ Long and thin workpiece
- ◇ Electronic product

How to order

SAO 8×20 N

① ② ③

① Series	② Dimension	③ Material & Hardness
SAO	3.5×7 6×20	N - NBR 55 ★
	4×10 8×20	WS - White silicone 50 ★
	5×10 4×30	CN - Conductive NBR 55
	6×10 5×30	CS - Conductive silicone 55
	4×20 6×30	
	5×20 8×30	

◇Note: "★" - common material, in stock. For other materials, please consult with AIRBEST.

Technical parameters

Model	Pull-out force (N)	Inner volume (cm ³)	Min. curve radius of workpiece (mm)	Recommended hose dia.(mm)
SAO3.5×7	0.9	<0.1	6	4
SAO4×10	1.6	<0.1	7	4
SAO5×10	2	<0.1	9	4
SAO6×10	2.4	<0.1	13	4
SAO4×20	3.2	<0.1	8	4
SAO5×20	4.2	<0.1	11	4
SAO6×20	5	<0.1	14	4
SAO8×20	6.5	<0.1	16	4
SAO4×30	5.2	<0.1	8	4
SAO5×30	6.5	<0.1	10	4
SAO6×30	7.8	<0.1	14	4
SAO8×30	10.2	0.1	18	4

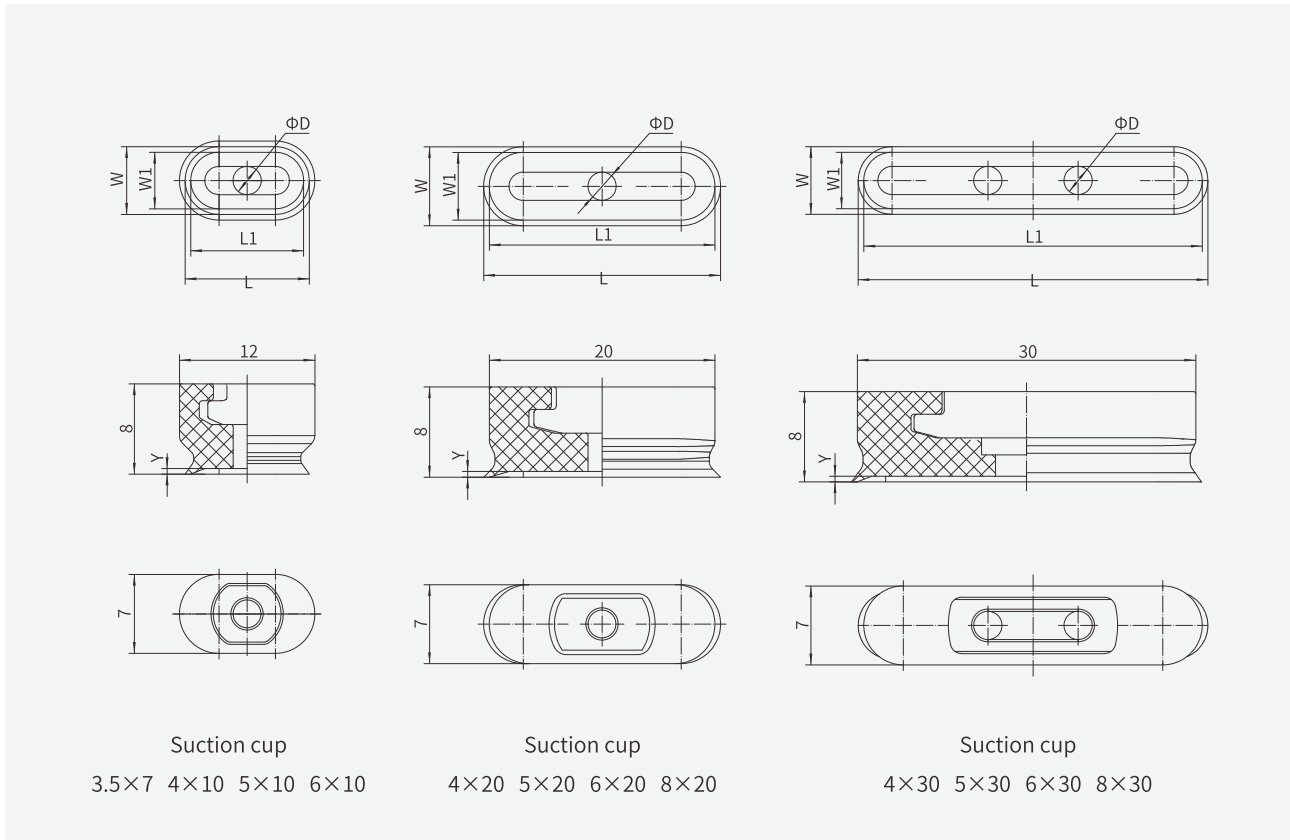
◇Note: Testing vacuum level -60kPa. Workpiece with smooth and clean surface. The data of pull-out force as above are figured out without considering safety factor. The data may be different according to different workpiece surfaces.

- SB
- SBA
- SBB
- SBF
- SBOF
- SFT
- STP
- SBL
- SBLP
- SF
- SU
- SUF
- SFG
- STC
- SFF
- SFM
- SDM
- SOB
- SOF
- SOG
- SFP
- SBP
- SXP
- SGP
- SDL
- SH
- SHB
- SZ
- SAN
- SAO
- SPA
- SPC
- SPF
- SPJ
- SPU
- SNP
- SOP

SAO Series

Oval Flat Suction Cup

Dimensions (mm)



Model/ Size	W	L	W ₁	L ₁	D	Y
SAO3.5×7	4.5	8	3.5	7	2-1.5	0.5
SAO4×10	5	11	4	10	2-1.5	0.5
SAO5×10	6	11	5	10	2.5	0.5
SAO6×10	7	11	6	10	2.5	0.5
SAO4×20	5	21	4	20	2-1.8	0.5
SAO5×20	6	21	5	20	2-2	0.5
SAO6×20	7	21	6	20	2.5	0.5
SAO8×20	9	21	8	20	3	0.8
SAO4×30	5	31	4	30	2-1.8	0.5
SAO5×30	6	31	5	30	2-2.5	0.5
SAO6×30	7	31	6	30	2-2.5	0.5
SAO8×30	9	31	8	30	2-2.5	0.8