

# SAO Series- Suction Cup With Locking Fitting

Oval Flat Suction Cup



## How to order

SAO8×20N - LA4 - M5F

①

②

③

① Model	② Vacuum port direction	③ Connection thread
Refer to suction cup on page 177-178	Nil - Vertical LA4 - Lateral, one touch fittingφ4 hose LA6 - Lateral, one touch fittingφ6 hose	M5M - M5 Male thread M5F - M5 Female thread

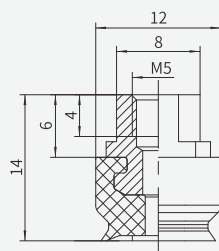
## Selection

Vacuum port direction/ Connection thread	M5M	M5F
Nil	—	●
LA4	●	●
LA6	●	●

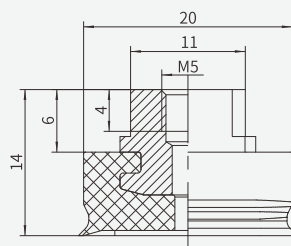
◇Note: "●"- standard, in stock. "—"-unavailable.

## Dimensions (mm)

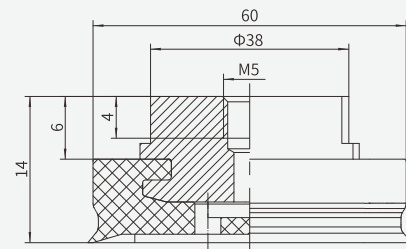
Vertical direction connection- Female thread



Suction cup  
3.5×7 4×10 5×10 6×10



Suction cup  
4×20 5×20 6×20 8×20



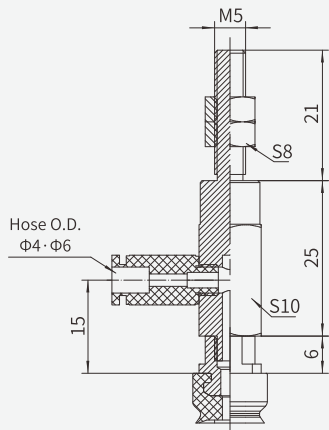
Suction cup  
4×30 5×30 6×30 8×30

# SAO Series- Suction Cup With Locking Fitting

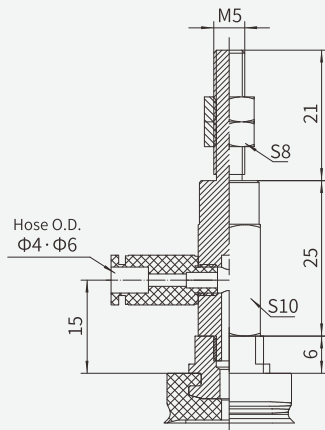
## Oval Flat Suction Cup

### Dimensions (mm)

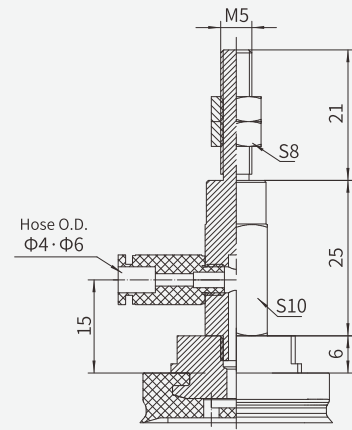
Lateral direction connection- Male thread



Suction cup  
3.5×7 4×10 5×10 6×10

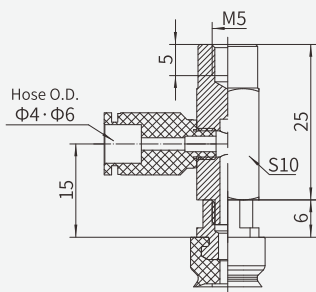


Suction cup  
4×20 5×20 6×20 8×20

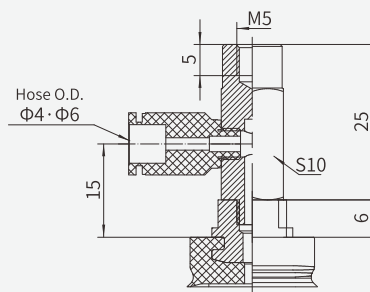


Suction cup  
4×30 5×30 6×30 8×30

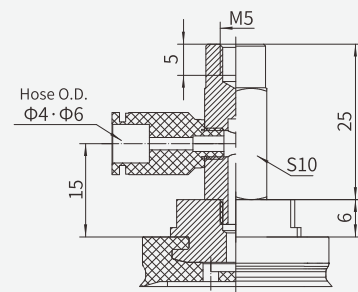
Lateral direction connection- Female thread



Suction cup  
3.5×7 4×10 5×10 6×10



Suction cup  
4×20 5×20 6×20 8×20



Suction cup  
4×30 5×30 6×30 8×30