

SBB Series

1.5 Bellows Suction Cup



Features

- ◇ 1.5 bellows. It has good sealing performance for workpiece with uneven surface and height compensation during handling.
- ◇ Aluminum alloy mounting plate and vacuum pad are integratedly vulcanized, stable and reliable.
- ◇ With soft and tapered lip, and support frame on bottom

Applications

- ◇ Objects with uneven surface
- ◇ Steel plate
- ◇ Carton box
- ◇ Rubber products

How to order

SBB 200 N - G4F

① ② ③ ④

① Series	② Diameter	③ Material & Hardness	④ Connection thread
SBB	200 - ϕ 200mm 250 - ϕ 250mm 300 - ϕ 300mm	N - NBR 60	G4F - G1/2 Female thread

Technical parameters

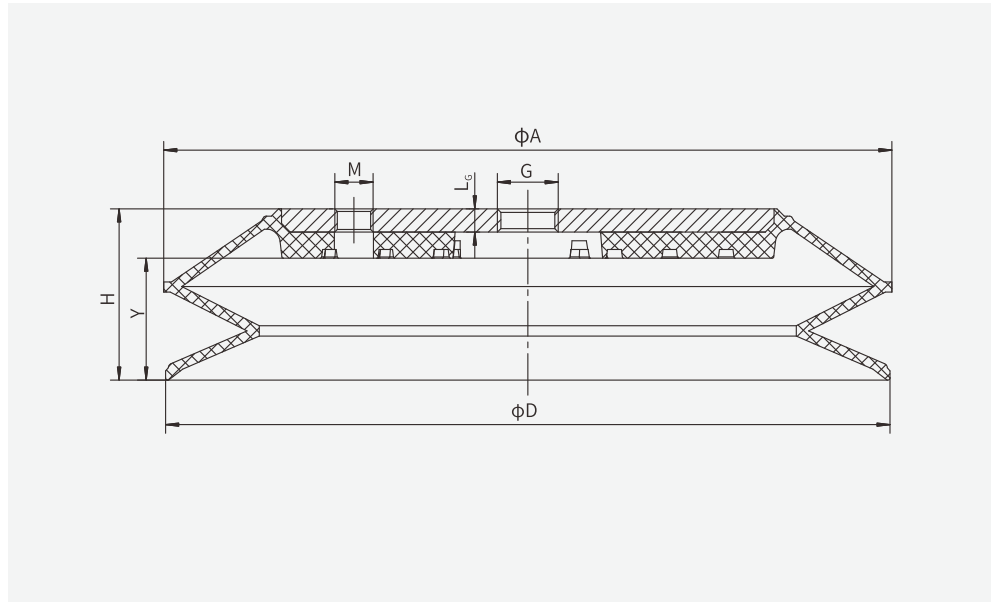
Model	Pull-out force (N)	Inner volume (cm ³)	Min. curve radius of workpiece (mm)	Recommended hose dia. (mm)	Weight (g)
SBB200	850	790	350	12	860
SBB250	1,620	1,677	480	12	1,012
SBB300	2,390	2,950	580	12	1,650

◇ Note: Testing vacuum level -60kPa. Workpiece with smooth and clean surface. The data of pull-out force as above are figured out without considering safety factor. The data may be different according to different workpiece surfaces.

SBB Series

1.5 Bellows Suction Cup

Dimensions (mm)



Model/ Size	D	A	H	Y	G	L _g	M
SBB200	200	206	57	40	G1/2	8	—
SBB250	250	251	60	43	G1/2	8	G1/4
SBB300	300	306	77	57	G1/2	8	G1/4

◇Note: Please refer to suction cup with locking fitting and level compensator on page 24.

- SB
- SBA
- SBB**
- SBF
- SBOF
- SFT
- STP
- SBL
- SBLP
- SF
- SU
- SUF
- SFG
- STC
- SFF
- SFM
- SDM
- SOB
- SOF
- SOG
- SFP
- SBP
- SXP
- SGP
- SDL
- SH
- SHB
- SZ
- SAN
- SAO
- SPA
- SPC
- SPF
- SPJ
- SPU
- SNP
- SOP