

SBL Series

4.5 Bellows Suction Cup



Features

- ◇ 4.5 bellows suction cup, suitable for transferring objects with height differences.
- ◇ High safety for handling fragile objects.
- ◇ Handling food with plastic package.

Applications

- ◇ Egg
- ◇ Glass cup
- ◇ Bread
- ◇ Products in plastic package

How to order

SBL 15 N- M5M

- ① ② ③ ④

① Series	② Diameter	③ Material & Hardness	④ Connection thread
SBL	15 - ϕ 15mm	N - NBR 55	Nil - Suction cup alone
	20 - ϕ 20mm	S - Silicone 50	M5M - M5 Male thread
	30 - ϕ 30mm	WS - White silicone 50	G1F - G1/8 Female thread
	40 - ϕ 40mm		G1M - G1/8 Male thread
	50 - ϕ 50mm		G2F - G1/4 Female thread
			G2M - G1/4 Male thread
			G3F - G3/8 Female thread
			G3M - G3/8 Male thread

Selection

Model/ Connection thread	M5M	G1F	G1M	G2F	G2M	G3F	G3M
SBL15	●	—	—	—	—	—	—
SBL20 - 40	—	●	●	—	—	—	—
SBL50	—	—	—	●	●	●	●

◇Note: "●"- standard, in stock. "—" - unavailable.

SBL Series

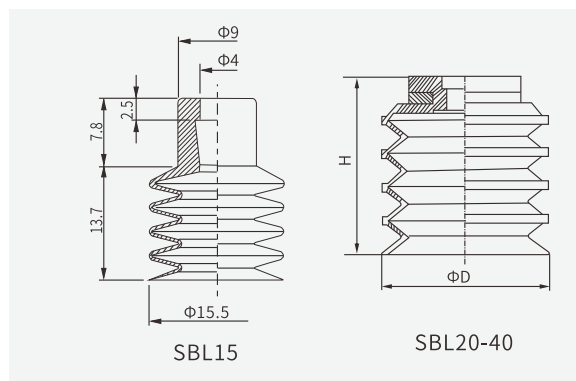
4.5 Bellows Suction Cup

Technical parameters

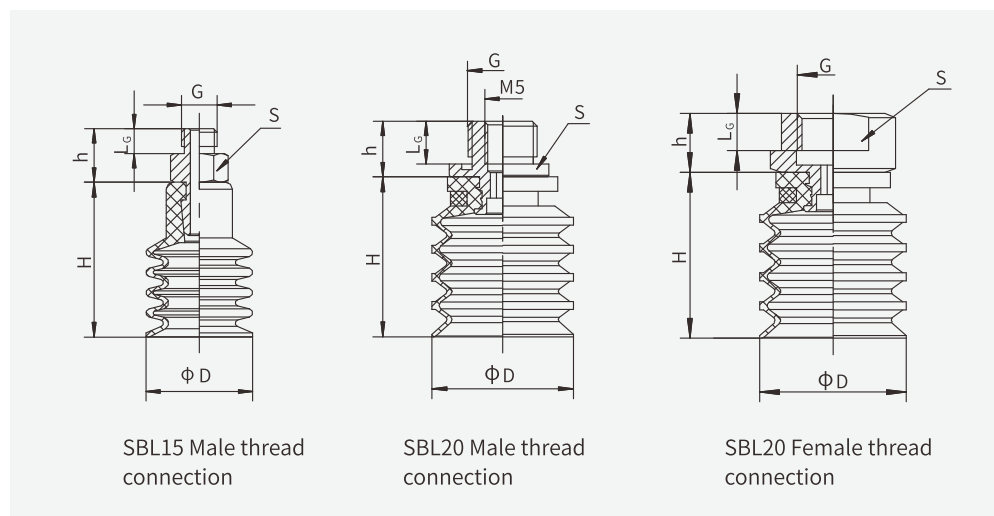
Model	Pull-out force (N)	Inner volume (cm ³)	Min. curve radius of workpiece (mm)	Recommended hose dia. (mm)
SBL15	8	1.95	12	6
SBL20	14	4	17	6
SBL30	31	13	25	6
SBL40	56	27	34	6
SBL50	88	55	42	8

◇Note: Testing vacuum level -60kPa. Workpiece with smooth and clean surface. The data of pull-out force as above are figured out without considering safety factor. The data may be different according to different workpiece surfaces.

Dimensions (mm)



Model/ Size	D	H
SBL20	20	23
SBL30	30	32
SBL40	40	42
SBL50	50	52



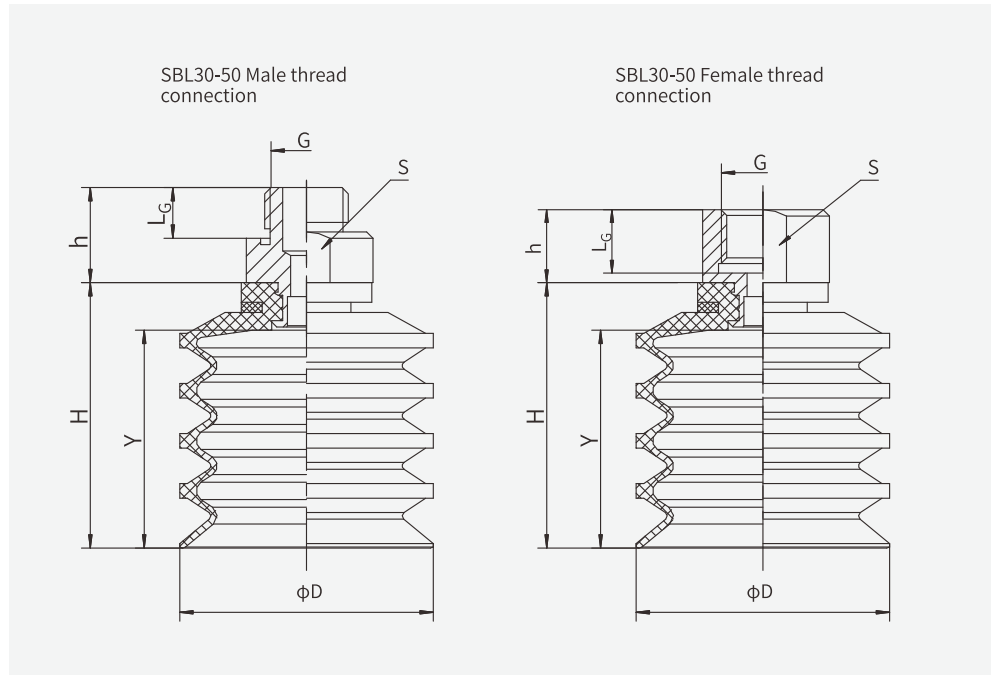
Model/ Size	D	H	G	L _c	h	S
SBL15-M5M	15.5	21.5	M5	5	9	7
SBL20-G1F	20	23	G1/8	7	8	13
G1M	20	23	G1/8	6	7.8	13

- SB
- SBA
- SBB
- SBF
- SBOF
- SFT
- STP
- SBL**
- SBLP
- SF
- SU
- SUF
- SFG
- STC
- SFF
- SFM
- SDM
- SOB
- SOF
- SOG
- SFP
- SBP
- SXP
- SGP
- SDL
- SH
- SHB
- SZ
- SAN
- SAO
- SPA
- SPC
- SPF
- SPJ
- SPU
- SNP
- SOP

SBL Series

4.5 Bellows Suction Cup

Dimensions (mm)



Model/ Size	D	H	G	L _G	h	S
SBL30-G1F	30	32	G1/8	7	10	17
G1M				6	12	
SBL40-G1F	40	42	G1/8	7	10	17
G1M				6	12	
SBL50-G2F	50	52	G1/4	10	13	24
G2M				9	17	
G3F	50	52	G3/8	10	18	24
G3M				10	13	

Mounting parts

Item	Model		Applicable suction cup
	F - Female thread	M - Male thread	
Fitting for suction cup	—	PJS-M5M-SC3	SBL15
	PJS-G1F-SF1	PJS-G1M-SF1	SBL20
	PJS-G1F-SF2	PJS-G1M-SF2	SBL30, 40
	PJS-G2F-SF3	PJS-G2M-SF3	SBL50
	PJS-G3F-SF3	PJS-G3M-SF3	

◇Note: Please refer to suction cup with locking fitting and level compensator on page 24.