

# SBOF Series

2.5 Bellows Oval Suction Cup



## Features

- ◇ Strong suction force and good wear resistance.
- ◇ Suitable for case unpacking machine and soft and rigid packing material.
- ◇ Suitable for applications of washing packing bags which have chlorinated disinfectant. (pharmaceuticals industry).
- ◇ Bellows structure and soft seal lip are suitable for handling fragile and long and thin workpiece.

## Applications

- ◇ CD& DVD
- ◇ Thin and long package
- ◇ Packing box, packing bag

## How to order

**SBOF 35×28 V - M10M**

①                      ②                      ③                      ④

① Series	② Diameter	③ Material & Hardness	④ Connection thread
<b>SBOF</b>	35×28mm 45×28mm	V - Vinyl <b>55</b>	<b>Nil</b> - Suction cup alone <b>M10M</b> - M10 Male thread <b>G2M</b> - G1/4 Male thread <b>G2F</b> - G1/4 Female thread

## Selection

Model/ Connection thread	M10M	G2M	G2F
<b>SBOF35×28</b>	●	●	●
<b>SBOF45×28</b>	●	●	●

◇Note: "●"- standard, in stock.

# SBOF Series

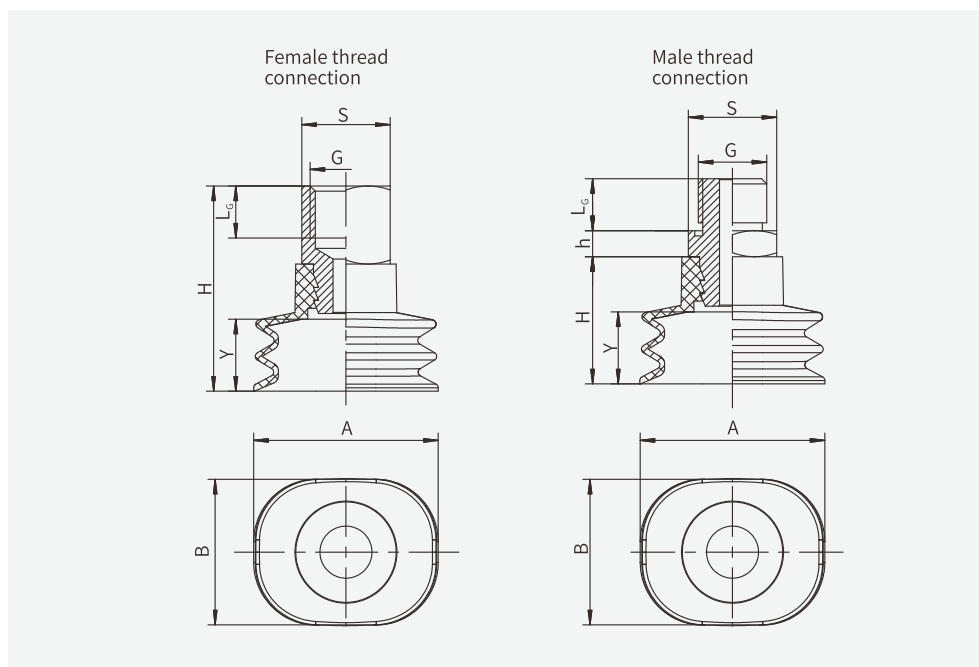
## 2.5 Bellows Oval Suction Cup

### Technical parameters

Model	Pull-out force (N)	Inner volume (cm <sup>3</sup> )	Min. curve radius of workpiece (mm)	Recommended hose dia. (mm)
<b>SBOF35×28</b>	44	22	39	8
<b>SBOF45×28</b>	57	26	39	8

◇ Note: Testing vacuum level -60kPa. Workpiece with smooth and clean surface. The data of pull-out force as above are figured out without considering safety factor. The data may be different according to different workpiece surfaces.

### Dimensions (mm)



Model/ Size	A	B	H	Y	h	G	L <sub>c</sub>	S
<b>SBOF35×28-M10M</b>	35	28	24.5	12	5	M10	10	17
<b>G2M</b>			24.5		5	G1/4	10	
<b>G2F</b>			39.5		—	G1/4	12	
<b>SBOF45×28-M10M</b>	45	28	25	13	5	M10	10	17
<b>G2M</b>			25		5	G1/4	10	
<b>G2F</b>			40		—	G1/4	12	

### Mounting parts

Item	Model	Applicable suction cup
<b>Fitting for suction cup</b>	PJS-M10M-SBOF PJS-G2M-SBOF PJS-G2F-SBOF	SBOF35×28, 45×28

◇ Note: Please refer to suction cup with locking fitting and level compensator on page 24.

- SB
- SBA
- SBB
- SBF
- SBOF**
- SFT
- STP
- SBL
- SBLP
- SF
- SU
- SUF
- SFG
- STC
- SFF
- SFM
- SDM
- SOB
- SOF
- SOG
- SFP
- SBP
- SXP
- SGP
- SDL
- SH
- SHB
- SZ
- SAN
- SAO
- SPA
- SPC
- SPF
- SPJ
- SPU
- SNP
- SOP