

## SBP Series

PU Bellows Suction Cup



### Features

- ◇ Good wear resistance and oil resistance.
- ◇ Good elasticity and high tensile strength
- ◇ PU material. Long life time. Its life time is 3-4 times longer than other material .
- ◇ 1.5 bellows structure has good sealing and buffer to workpiece with uneven surface.

### Applications

- ◇ Stamping parts
- ◇ Smooth steel plate
- ◇ Carton box

### How to order

## SBP 10 UY - M5M

①      ②      ③      ④

① Series	② Diameter	③ Material & Hardness	④ Connection thread
SBP	10 -φ10mm	U - PU 60	Nil - Suction cup alone
	15 -φ15mm	UY - PU 40	M5M - M5 Male thread
	20 -φ20mm	UD - PU 30 60	G1F - G1/8 Female thread
	30 -φ30mm		G1M - G1/8 Male thread
	40 -φ40mm		G2F - G1/4 Female thread
	50 -φ50mm		G2M - G1/4 Male thread
	70 -φ70mm		G3F - G3/8 Female thread
			G3M - G3/8 Male thread

### Selection

Model/ Connection thread	M5M	G1F	G1M	G2F	G2M	G3F	G3M
SBP10 - 15	●	—	—	—	—	—	—
SBP20 - 40	—	●	●	—	—	—	—
SBP50	—	—	—	●	●	●	●
SBP70	—	—	—	—	—	●	●

◇Note: "●"- standard, in stock. "—" -unavailable.

# SBP Series

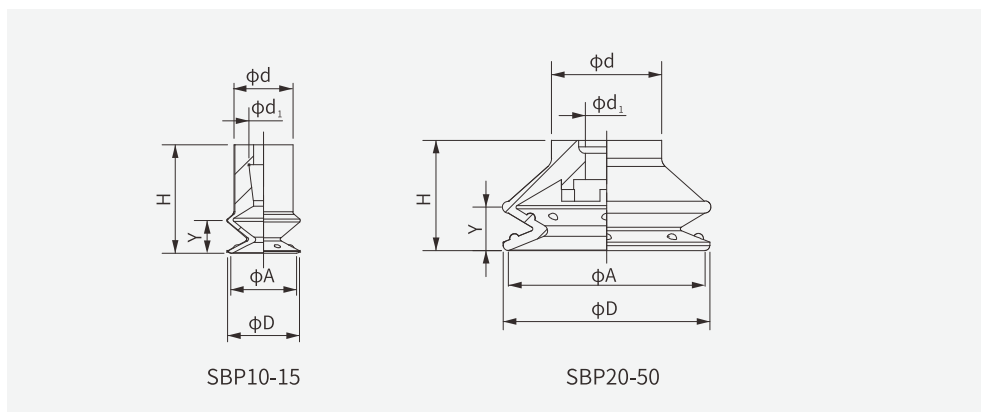
PU Bellows Suction Cup

## Technical parameters

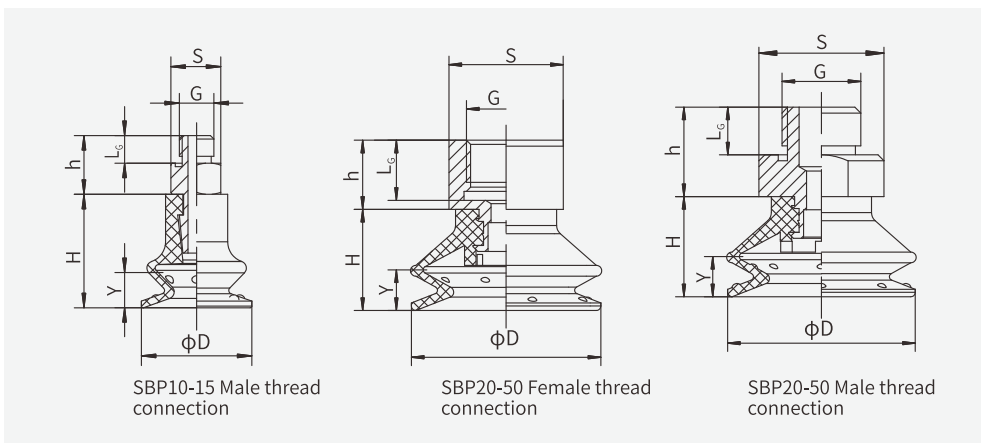
Model	Pull-out force (N)	Inner volume (cm <sup>3</sup> )	Min. curve radius of workpiece (mm)	Recommended hose dia. (mm)
SBP10	3.5	0.2	10	6
SBP15	7.9	0.5	25	6
SBP20	14	2	31	6
SBP30	31	4	47	6
SBP40	56.5	9	59	6
SBP50	88	17	68	8
SBP70	173	55	91	10

◇Note: Testing vacuum level -60kPa. Workpiece with smooth and clean surface. The data of pull-out force as above are figured out without considering safety factor. The data may be different according to different workpiece surfaces.

## Dimensions (mm)



Model/ Size	D	H	A	d	d <sub>1</sub>	Y
SBP10	10.9	16.5	10	9	5	5
SBP15	16	19	15	9	5.5	5.8
SBP20	21	18	20	12	5	7.5
SBP30	31.5	16.8	30	16.8	6.5	6.6
SBP40	42	22.4	40	22.4	6.5	8.8
SBP50	52.5	29.3	50	28	10.5	12.3



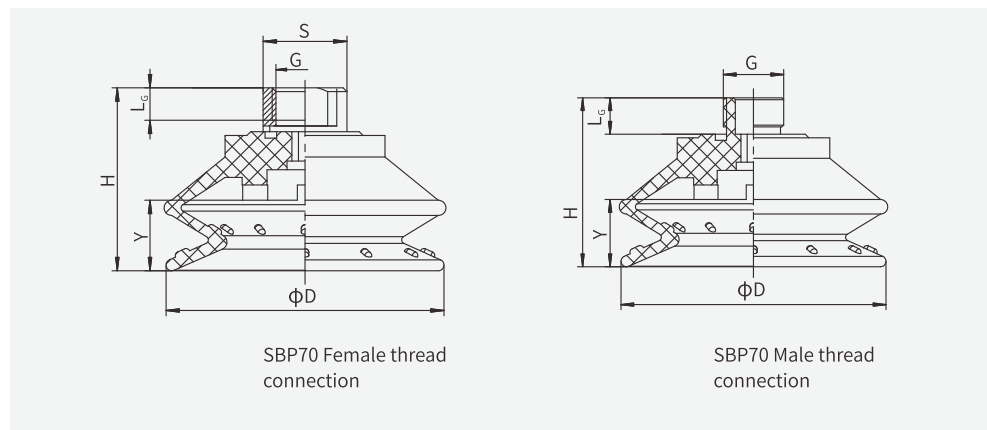
- SB
- SBA
- SBB
- SBF
- SBOF
- SFT
- STP
- SBL
- SBLP
- SF
- SU
- SUF
- SFG
- STC
- SFF
- SFM
- SDM
- SOB
- SOF
- SOG
- SFP
- SBP**
- SXP
- SGP
- SDL
- SH
- SHB
- SZ
- SAN
- SAO
- SPA
- SPC
- SPF
- SPJ
- SPU
- SNP
- SOP

# SBP Series

## PU Bellows Suction Cup

### Dimensions(mm)

Model/ Size	D	H	G	h	L <sub>G</sub>	Y	S
SBP10-M5M	10.9	16.5	M5	7.5	3.5	5	7
SBP15-M5M	16	19	M5	7.5	3.5	5.8	7
SBP20-G1F	21	18	G1/8	8	7	7.5	13
G1M				7.8	6		
SBP30-G1F	31.5	16.8	G1/8	10	7	6.6	17
G1M				12	6		
SBP40-G1F	42	22.4	G1/8	10	7	8.8	17
G1M				12	6		
SBP50-G2F	52.5	29.3	G1/4	13	10	12.3	24
G2M				17	9		
G3M			G3/8	13	10		
G3F				18	10		



Model/ Size	D	H	G	h	L <sub>G</sub>	Y	S
SBP70-G3F	73	48	G3/8	—	11.5	16.5	22
SBP70-G3M	73	46.5	G3/8	—	10	16.5	—

### Mounting parts

Item	Model		Applicable suction cup
	F - Female thread	M - Male thread	
Fitting for suction cup	—	PJS-M5M-SC3	SBP10, 15
	PJS-G1F-SF1-EW	PJS-G1M-SF1-EW	SBP20
	PJS-G1F-SF2-EW	PJS-G1M-SF2-EW	SBP30, 40
	PJS-G2F-SF3-EW	PJS-G2M-SF3-EW	SBP50
	PJS-G3F-SF3-EW	PJS-G3M-SF3-EW	

◇Note: Please refer to suction cup with locking fitting and level compensator on page 24.