

SB Series

Univerasl Bellows Suction Cup



Features

- ◇ 1.5 bellows suction cup, which can be horizontal adjusted for transferring objects with height difference.
- ◇ Various materials are available for different workpiece. Conductive silicone material can effectively prevent static damage to electronic products.
- ◇ Various sizes for option.

Applications

- ◇ Smooth wooden plate
- ◇ Smooth steel plate
- ◇ Carton box
- ◇ Electronic component

How to order

SB 30 N - G1F

① ② ③ ④

① Series	② Diameter	③ Material & Hardness	④ Connection thread
SB	5 - φ5mm 20 - φ20mm	N - NBR 55 ★	Nil -Standard, suction cup alone
	6 - φ6mm 30 - φ30mm	S - Silicone 50 ★	M5M - M5 Male thread
	8 - φ8mm 40 - φ40mm	WS - White silicone 50	G1F - G1/8 Female thread
	10 - φ10mm 50 - φ50mm	CS - Conductive silicone 55	G1M - G1/8 Male thread
	12 - φ12mm 75 - φ75mm		G2F - G1/4 Female thread
	15 - φ15mm 110 - φ110mm		G2M - G1/4 Male thread
	17 - φ17mm 150 - φ150mm		G3F - G3/8 Female thread
			G4F - G1/2 Female thread

◇Note: "★"-common material, in stock. For other materials, please consult with AIRBEST.

Selection

Model/ Connection thread	M5M	G1F	G1M	G2F	G2M	G3F	G3M	G4F
SB5 - 15	●	—	—	—	—	—	—	—
SB17 - 40	—	●	●	—	—	—	—	—
SB50	—	—	—	●	●	●	●	—
SB75	—	—	—	●	—	—	—	—
SB110 -150	—	—	—	—	—	—	—	●

◇Note: "●"- standard, in stock. "—" - unavailable.

SB Series

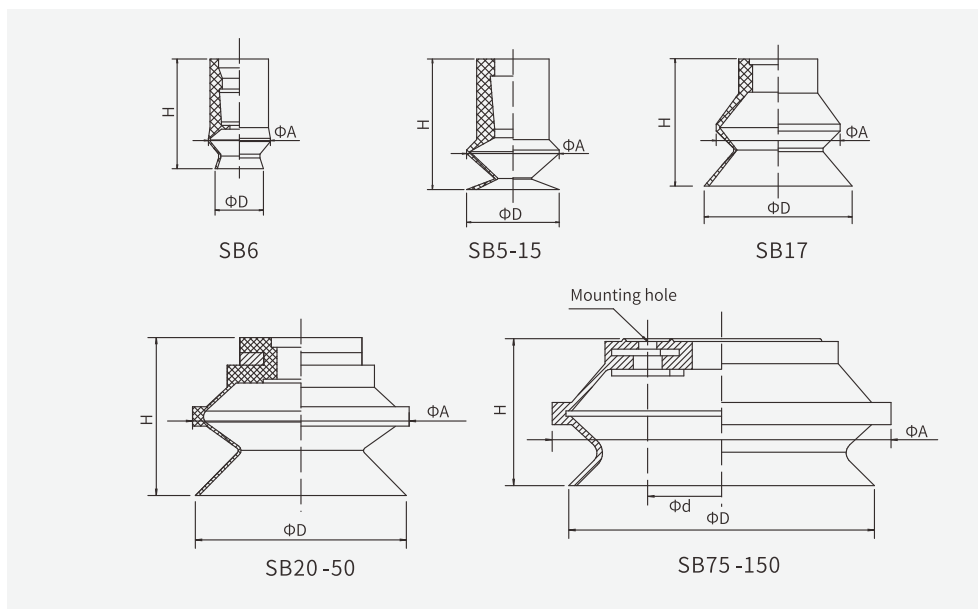
Univerasl Bellows Suction Cup

Technical parameters

Model	Pull-out force (N)	Inner volume (cm ³)	Min. curve radius of workpiece (mm)	Recommended hose dia. (mm)
SB5	0.8	<0.1	8	4
SB6	1.2	<0.1	8	4
SB8	2.1	<0.1	10	4
SB10	3.2	0.4	12	4
SB12	4.7	0.8	15	6
SB15	7.4	0.5	20	6
SB17	9.5	1.1	25	6
SB20	18	1.2	30	6
SB30	33	14	35	6
SB40	60	18	50	6
SB50	92	26	80	8
SB75	210	96	60	8
SB110	412	314	120	12
SB150	740	798	160	12

◇ Note: Testing vacuum level -60kPa. Workpiece with smooth and clean surface. The data of pull-out force as above are figured out without considering safety factor. The data may be different according to different workpiece surfaces.

Dimensions (mm)



Model/ Size	D	A	H
SB5	5.8	6.2	9.2
SB6	7	9	13.5
SB8	8.8	9.6	11.9
SB10	11	12	16
SB12	12	14	16.5
SB15	15.5	17.5	19.5
SB17	18.5	16.6	15.6

Model/ Size	D	A	H	d	Mounting hole
SB20	22	24	19	—	—
SB30	34	36	26	—	—
SB40	43	46	28	—	—
SB50	53	58	35	—	—
SB75	78	83	37	35	4-Φ6.5
SB110	115	124	54	55	8-Φ6
SB150	155	166	71	70.5	8-Φ6

SB

SBA

SBB

SBF

SBOF

SFT

STP

SBL

SBLP

SF

SU

SUF

SFG

STC

SFF

SFM

SDM

SOB

SOF

SOG

SFP

SBP

SXP

SGP

SDL

SH

SHB

SZ

SAN

SAO

SPA

SPC

SPF

SPJ

SPU

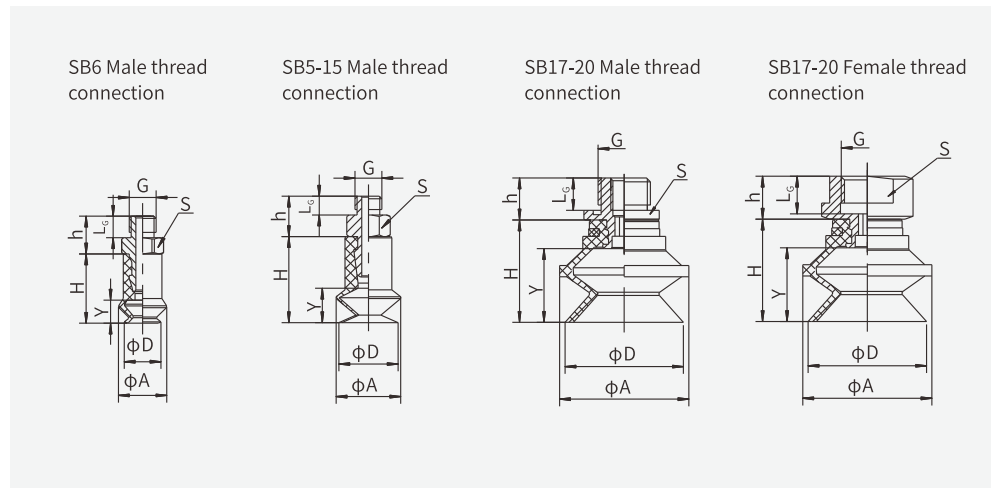
SNP

SOP

SB Series

Universal Bellows Suction Cup

Dimensions (mm)

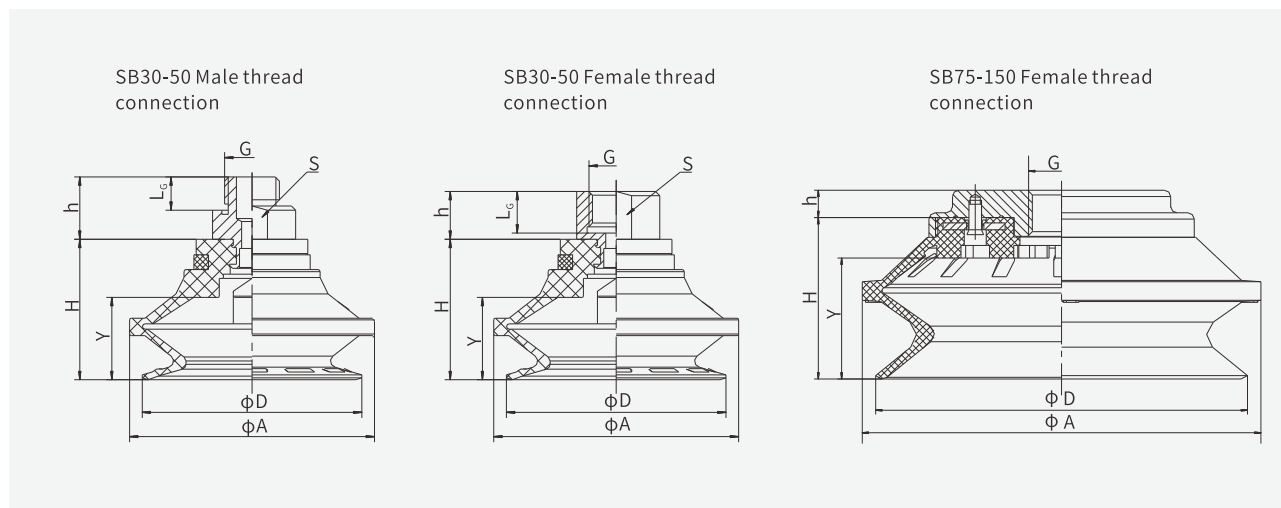


Model/ Size	D	A	H	G	L _g	h	S	Y
SB5-M5M	5.8	6.2	9.2	M5	3.5	7.5	7	—
SB6-M5M	7	9	13.5	M5	4	7	7	4.5
SB8-M5M	8.8	9.6	11.9	M5	3.5	7.5	7	6.5
SB10-M5M	11	12	16	M5	3.5	7.5	7	7
SB12-M5M	12	14	16.5	M5	3.5	7.5	7	5.5
SB15-M5M	15.5	17.5	19.5	M5	3.5	7.5	7	10
SB17-G1F	18.5	16.6	15.6	G1/8	7	8	13	10.5
G1M	18.5	16.6	15.6	G1/8	6	7.8	13	10.5
SB20-G1F	22	24	19	G1/8	7	8	13	9
G1M	22	24	19	G1/8	6	7.8	13	9

SB Series

Universal Bellows Suction Cup

Dimensions (mm)



Model/ Size	D	A	H	G	L ₆	h	S	Y
SB30-G1F	34	36	26	G1/8	7	10	17	19
G1M					6	12		
SB40-G1F	43	46	28	G1/8	7	10	17	20
G1M					6	12		
SB50-G2F	53	58	35	G1/4	10	13	24	20
G2M					9	17		
G3F			28	G3/8	10	13		
G3M					10	18		
SB75-G2F	78	38	37	G1/4	—	13	—	27
SB110-G4F	115	124	54	G1/2	—	9	—	38.5
SB150-G4F	155	166	71	G1/2	—	10	—	44.5

Mounting parts

Item	Model		Applicable suction cup
	F - Female thread	M - Male thread	
Fitting for suction cup	—	PJS-M5M-SC1	SB6
	—	PJS-M5M-SC2	Sb5, 8
	—	PJS-M5M-SC3	Sb10, 12, 15
	PJS-G1F-SF1	PJS-G1M-SF1	Sb17, 20
	PJS-G1F-SF2	PJS-G1M-SF2	Sb30, 40
	PJS-G2F-SF3	PJS-G2M-SF3	SB50
	PJS-G3F-SF3	PJS-G3M-SF3	
	PJS-G2F-SF4	—	SB75
	PJS-G4F-SF5	—	SB110
	PJS-G4F-SF6	—	SB150

◇Note: Please refer to suction cup with locking fitting and level compensator on page 24.

SB

SBA

SBB

SBF

SBOF

SFT

STP

SBL

SBLP

SF

SU

SUF

SFG

STC

SFF

SFM

SDM

SOB

SOF

SOG

SFP

SBP

SXP

SGP

SDL

SH

SHB

SZ

SAN

SAO

SPA

SPC

SPF

SPJ

SPU

SNP

SOP