

SDL Series

Annular Suction Cup



Features

- ◇ The Suction cup is closed annular structure, consisting of inner and outer sealing lips
- ◇ Annular installation is firm and prevents the suction cup from loosening.
- ◇ Customer can design the inspection instrument according to the hollow part, so as to separate the annular vacuum part from the inspection inductor.

Applications

- ◇ Steel plate ◇ Plastic plate ◇ Metal sheet
- ◇ Annular metal stamped parts ◇ Plywood

How to order

SDL 100 N - G1F

① ② ③ ④

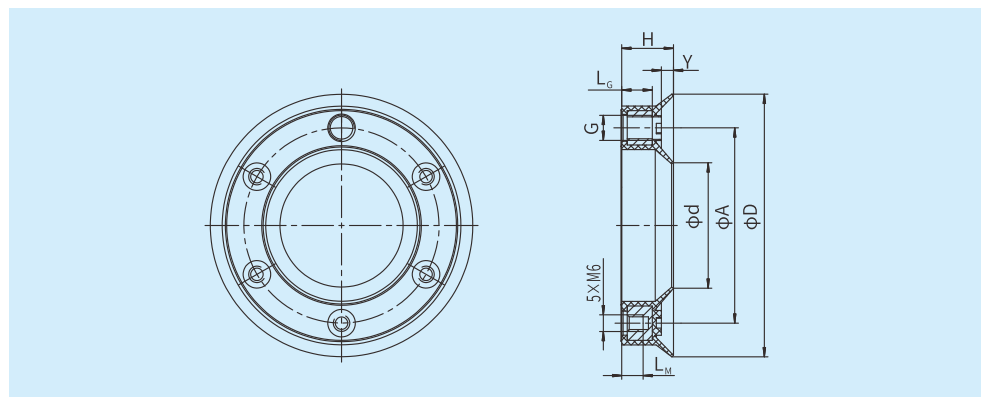
① Series	② Diameter	③ Material & Hardness	④ Connection thread
SDL	100 - ϕ 100mm	N - NBR 55	G1F - G1/8 Female thread

Technical parameters

Model	Pull-out force (N)	Inner volume (cm ³)	Min. curve radius of workpiece (mm)	Recommended hose dia. (mm)
SDL100	353	44	76	8

◇Note: Testing vacuum level -60kPa. Workpiece with smooth and clean surface. The data of pull-out force as above are figured out without considering safety factor. The data may be different according to different workpiece surfaces.

Dimensions (mm)



Model/ Size	D	d	H	Y	A	G	L _G	L _M
SDL100	100	47.5	21	5	74	G1/8	11.5	9

- SB
- SBA
- SBB
- SBF
- SBOF
- SFT
- STP
- SBL
- SBLP
- SF
- SU
- SUF
- SFG
- STC
- SFF
- SFM
- SDM
- SOB
- SOF
- SOG
- SFP
- SBP
- SXP
- SGP
- SDL**
- SH
- SHB
- SZ
- SAN
- SAO
- SPA
- SPC
- SPF
- SPJ
- SPU
- SNP
- SOP