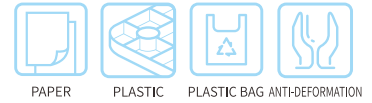


SFT Series

Flat Suction Cup Special for Plastic Film and Paper



Features

- ◇ Various sizes are available for workpiece of different shapes and sizes.
- ◇ Non-mark absorption can be achieved even in high temperature.
- ◇ Large inner support to avoid wrinkles while handling paper and plastic film.

Applications

- ◇ Plastic film
- ◇ Paper
- ◇ Wood sheet
- ◇ Solar wafer

How to order

SFT 15 WS - M5M

- ① ② ③ ④

① Series	② Diameter	③ Material & Hardness	④ Connection thread
SFT	15 - φ15mm	WS - White silicone 50	Nil - Suction cup alone M5M - M5 Male thread G1M - G1/8 Male thread G1F - G1/8 Female thread G2M - G1/4 Male thread G2F - G1/4 Female thread
	20 - φ20mm		
	24 - φ24mm		
	30 - φ30mm		
	34 - φ34mm		
	35 - φ35mm		
	40 - φ40mm		

Selection

Model/ Connection thread	M5M	G1M	G1F	G2M	G2F
SFT15 - 24	●	●	●	—	—
SFT30 - 40	—	—	—	●	●

◇Note: "●"- standard, in stock. "—"-unavailable.

SFT Series

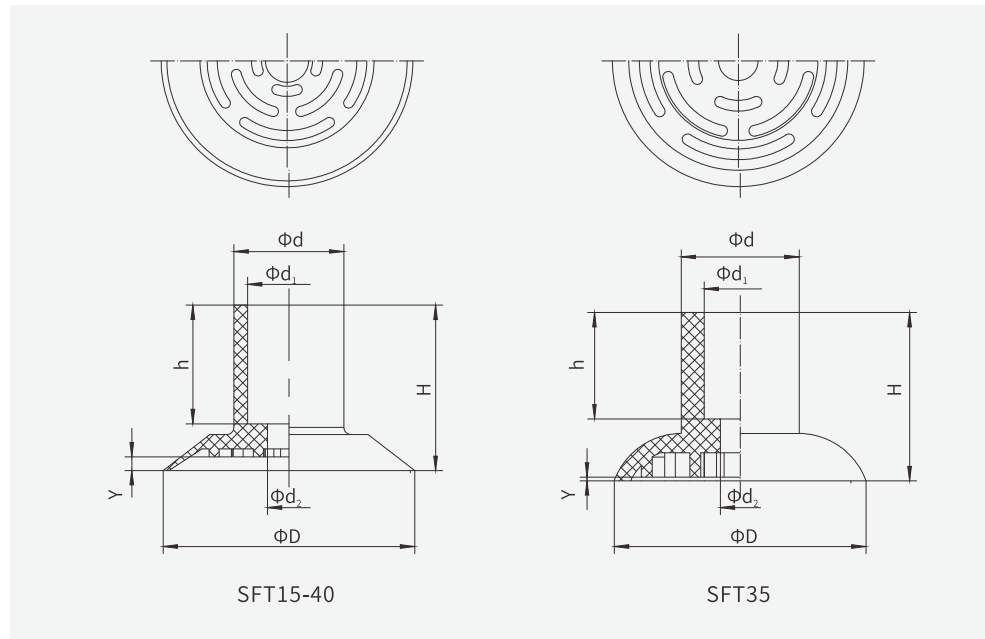
Flat Suction Cup Special for Plastic Film and Paper

Technical parameters

Model	Pull-out force N	Inner volume (cm ³)	Min. curve radius of workpiece (mm)	Recommended hose dia. (mm)
SFT15	8	0.2	16	6
SFT20	14	0.5	18	6
SFT24	20	0.7	23	6
SFT30	32	1.3	28	8
SFT34	41	2	33	8
SFT35	43	1.5	19	8
SFT40	56.5	3	39	8

◇ Note: Testing vacuum level -60kPa. Workpiece with smooth and clean surface. The data of pull-out force as above are figured out without considering safety factor. The data may be different according to different workpiece surfaces.

Dimensions (mm)



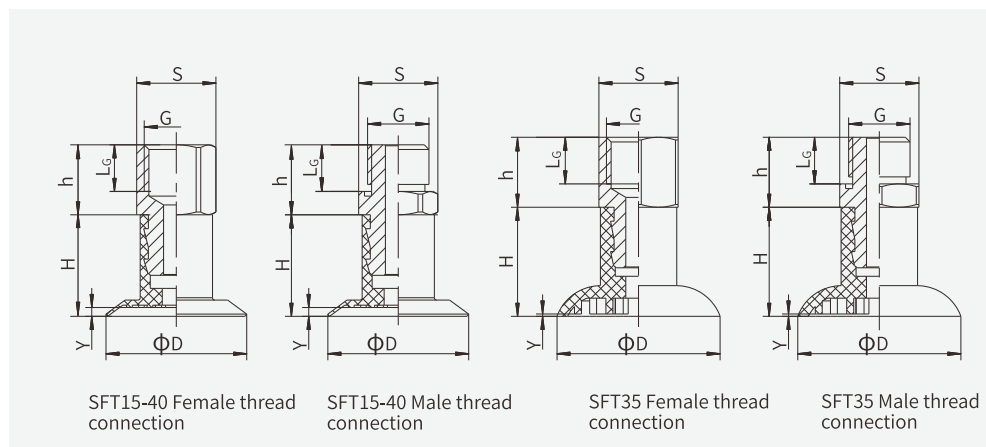
Model/ Size	D	H	d	h	d ₁	d ₂	Y
SFT15	14.5	10	9	7.2	4.5	3.5	0.9
SFT20	20.9	10.4	10.5	7.2	4.5	3.5	1.5
SFT24	24.4	10.8	10	7.2	4.5	3.5	1.7
SFT30	30.6	21.8	15.6	15.7	11.2	6.6	2
SFT34	34.5	23	14.8	16.8	11.2	5.8	1.4
SFT35	35	23.5	16.5	14.8	10	5.4	0.5
SFT40	40.5	20.5	16	14.5	8	5	2.3

- SB
- SBA
- SBB
- SBF
- SBOF
- SFT**
- STP
- SBL
- SBLP
- SF
- SU
- SUF
- SFG
- STC
- SFF
- SFM
- SDM
- SOB
- SOF
- SOG
- SFP
- SBP
- SXP
- SGP
- SDL
- SH
- SHB
- SZ
- SAN
- SAO
- SPA
- SPC
- SPF
- SPJ
- SPU
- SNP
- SOP

SFT Series

Flat Suction Cup Special for Plastic Film and Paper

Dimensions (mm)



Model/ Size	D	H	h	G	L _c	Y	S
SFT15-M5M	14.5	10	10	M5	5	0.9	7
G1M	14.5	10	13.5	G1/8	7.5	0.9	14
G1F	14.5	10	12	G1/8	8	0.9	14
SFT20-M5M	20.9	10.4	10	M5	5	1.5	7
G1M	20.9	10.4	13.5	G1/8	7.5	1.5	14
G1F	20.9	10.4	12	G1/8	8	1.5	14
SFT24-M5M	24.4	10.8	10	M5	5	1.7	7
G1M	24.4	10.8	13.5	G1/8	7.5	1.7	14
G1F	24.4	10.8	12	G1/8	8	1.7	14
SFT30-G2M	30.6	22.2	15	G1/4	10	2	17
G2F	30.6	22.2	15	G1/4	10	2	17
SFT34-G2M	34.5	23	15	G1/4	10	1.4	17
G2F	34.5	23	15	G1/4	10	1.4	17
SFT35-G2M	34	23.5	15	G1/4	10	0.5	17
G2F	35	23.5	15	G1/4	10	0.5	17
SFT40-G2M	40.5	20.5	15	G1/4	10	2.3	17
G2F	40.5	20.5	15	G1/4	10	2.3	17

Mounting parts

Item	Model		Applicable suction cup
	F - Female thread	M - Male thread	
Fitting for suction cup	—	PJS-M5M-SFT24	SFT15, 20, 24
	PJS-G1F-SFT24	PJS-G1M-SFT24	
	PJS-G2F-SFT34	PJS-G2M-SFT34	SFT30, 34
	PJS-G2F-SFT35	PJS-G2M-SFT35	SFT35
	PJS-G2F-SFT40	PJS-G2M-SFT40	SFT40

◇Note: Please refer to suction cup with locking fitting and level compensator on page A25