

SF Series

Universal Flat Suction Cup



- SB
- SBA
- SBB
- SBF
- SBOF
- SFT
- STP
- SBL
- SBLP
- SF**
- SU
- SUF
- SFG
- STC
- SFF
- SFM
- SDM
- SOB
- SOF
- SOG
- SFP
- SBP
- SXP
- SGP
- SDL
- SH
- SHB
- SZ
- SAN
- SAO
- SPA
- SPC
- SPF
- SPJ
- SPU
- SNP
- SOP

Features

- ◇ Suitable for handling flat objects.
- ◇ Various materials for different workpieces. Conductive silicone can effectively prevent static damage to electronic products. Fluorine rubber material has good corrosion resistance, which can effectively reduce the mark left on workpiece after mark free treatment.
- ◇ Various sizes are available with workpiece with different sizes.

Applications

- ◇ Smooth wooden plate
- ◇ Plywood
- ◇ Electronic component
- ◇ Smooth steel plate
- ◇ Plastic plate

How to order

SF 50 N - G2F - EB

① ② ③ ④ ⑤

① Series	② Diameter	③ Material & Hardness	④ Connection thread	⑤ Cone valve	
SF	15 - φ15mm	N - NBR	55 ★	Nil - Suction cup alone	Nil - Without cone valve
	20 - φ20mm	S - Silicone	50 ★	M5M - M5 Male thread	EB - With cone valve
	25 - φ25mm	WS - White silicone	50	G1F - G1/8 Female thread	
	30 - φ30mm	CS - Conductive silicone	55	G1M - G1/8 Male thread	
	40 - φ40mm			G2F - G1/4 Female thread	
	50 - φ50mm			G2M - G1/4 Male thread	
	75 - φ75mm			G3F - G3/8 Female thread	
	110 - φ110mm			G3M - G3/8 Male thread	
	150 - φ150mm			G4F - G1/2 Female thread	
	200 - φ200mm			G6F - G3/4 Female thread	
300 - φ300mm					

◇Note: "★" - common material, in stock. For other materials, please consult with AIRBEST. Cone valve suits suction cup SF50-150.

Selection

Model/ Connection thread	M5M	G1F	G1M	G2F	G2M	G3F	G3M	G4F	G6F	EB
SF15	●	—	—	—	—	—	—	—	—	—
SF20 — 30	—	●	●	—	—	—	—	—	—	—
SF40	—	●	●	—	—	—	—	—	—	—
SF50	—	—	—	●	●	●	●	—	—	○
SF75	—	—	—	●	—	—	—	—	—	○
SF110 — 200	—	—	—	—	—	—	—	●	—	—
SF300	—	—	—	—	—	—	—	—	●	—

◇Note: "●"- standard, in stock. "○"-selective,no stock."—" -unavailable.

SF Series

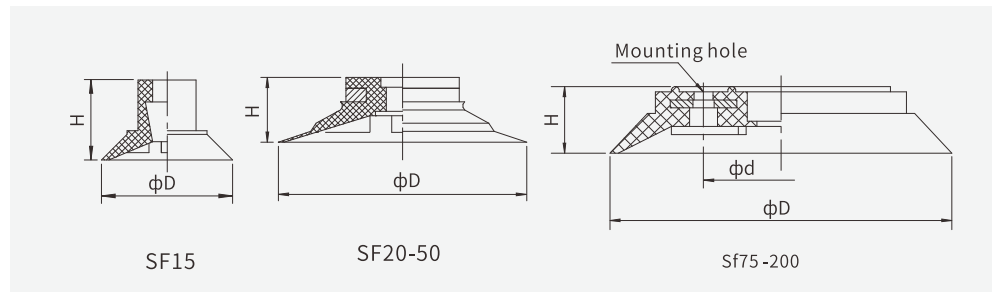
Universal Flat Suction Cup

Technical parameters

Model	Pull-out force (N)	Inner volume (cm ³)	Recommended hose dia. (mm)
SF15	8	0.5	6
SF20	14.5	0.8	6
SF25	22	1.2	6
SF30	32	1.5	6
SF40	60	3	6
SF50	88	7	6
SF75	200	20	8
SF110	430	60	10
SF150	795	160	10
SF200	1500	550	12
SF300	3200	730	12

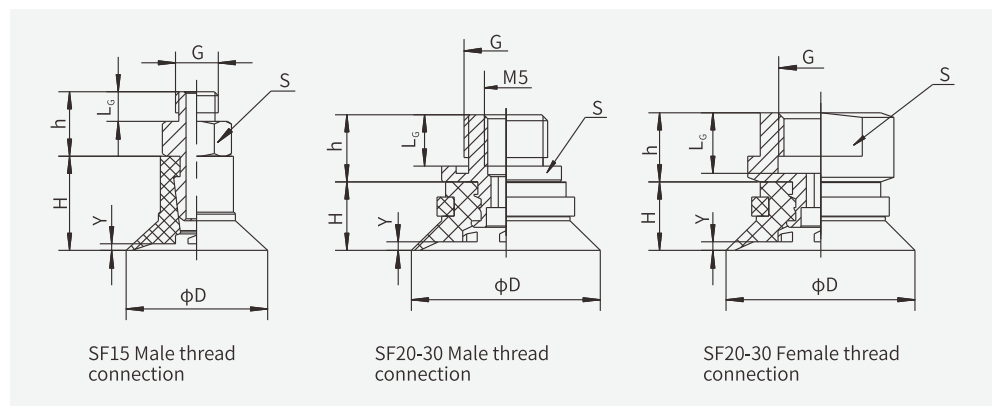
◇Note: Testing vacuum level -60kPa. Workpiece with smooth and clean surface. The data of pull-out force as above are figured out without considering safety factor. The data may be different according to different workpiece surfaces.

Dimensions (mm)



Model/ Size	D	H
SF15	16.5	11
SF20	22	8
SF25	27	9
SF30	32	10
SF40	42	13
SF50	53	17.5

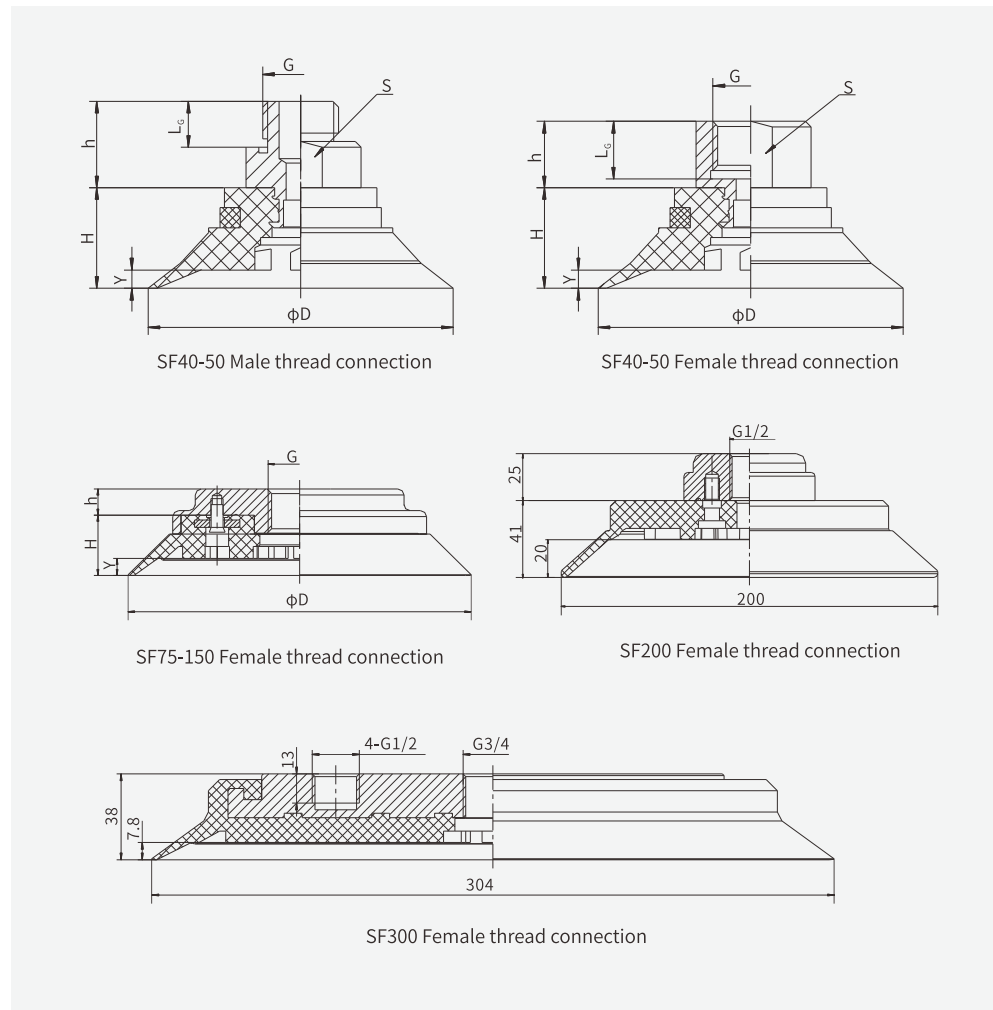
Model/ Size	D	H	d	Mounting hole
SF75	77	13	35	4-φ6.5
SF110	112	20	55	8-φ6
SF150	152	26	70	8-φ6
SF200	200	45	40	4-φ9



SF Series

Universal Flat Suction Cup

Dimensions (mm)



Model/ Size	D	H	G	L_c	h	S	Y
SF15- M5M	16.5	11	M5	3.5	7.5	7	0.8
SF20- G1F	22	8	G1/8	7	8	13	1
G1M				6	7.8		
SF25- G1F	27	9	G1/8	7	8	13	1
G1M				6	7.8		
SF30- G1F	32	10	G1/8	7	8	13	1.2
G1M				6	7.8		
SF40- G1F	42	13	G1/8	7	10	17	1.2
G1M				6	12		
SF50- G2F	53	17.5	G1/4	10	13	24	3.2
G2M				9	17		
G3F	53	17.5	G3/8	10	13	24	3.2
G3M				10	18		
SF75- G2F	77	13	G1/4	—	13	—	4
SF110- G4F	112	20	G1/2	—	9	—	6
SF150- G4F	152	26	G1/2	—	10	—	8

SB

SBA

SBB

SBF

SBOF

SFT

STP

SBL

SBLP

SF

SU

SUF

SFG

STC

SFF

SFM

SDM

SOB

SOF

SOG

SFP

SBP

SXP

SGP

SDL

SH

SHB

SZ

SAN

SAO

SPA

SPC

SPF

SPJ

SPU

SNP

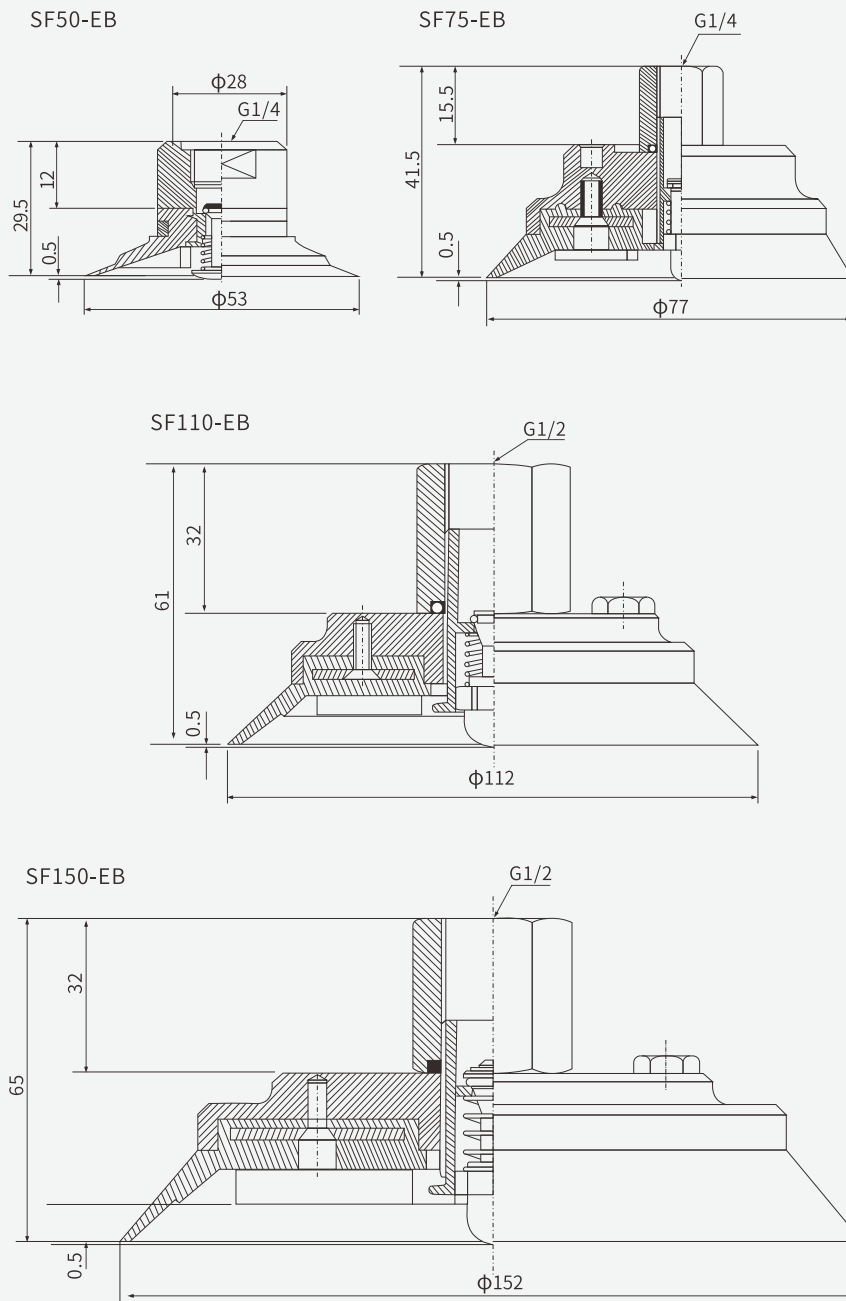
SOP

SF Series

Universal Flat Suction Cup

Dimensions(mm)

(Suction cup with cone valve)



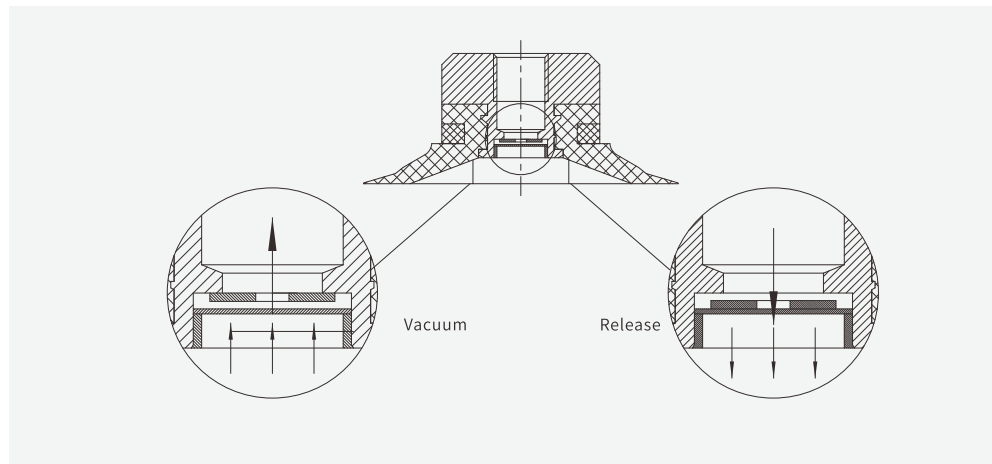
SF Series

Universal Flat Suction Cup

Accessories

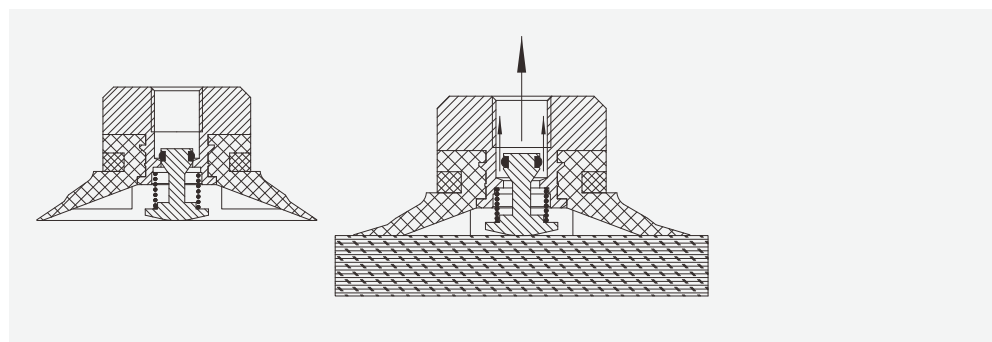
Vacuum efficiency valve (EH)

It can compensate the level differences of the lifting objects. When the shape, dimension and location of the lifting object is not the same, the valve can work as an absorber. When the suction cup is not in contact with the object, the vacuum efficiency valve fitting can reduce leakage minimally.



Cone valve (EB)

When the suction cup is not in contact with the object, the valve closes the opening in the fitting. It prevents vacuum leakage. When the suction cup contacts with the object, the valve first opens, the vacuum is created in the suction cup.



- SB
- SBA
- SBB
- SBF
- SBOF
- SFT
- STP
- SBL
- SBLP
- SF**
- SU
- SUF
- SFG
- STC
- SFF
- SFM
- SDM
- SOB
- SOF
- SOG
- SFP
- SBP
- SXP
- SGP
- SDL
- SH
- SHB
- SZ
- SAN
- SAO
- SPA
- SPC
- SPF
- SPJ
- SPU
- SNP
- SOP

Mounting parts

Item	Model		Applicable suction cup
	F - Female thread	M - Male thread	
Fitting for suction cup	—	PJS-M5M-SC3	SF15
	PJS-G1F-SF1	PJS-G1M-SF1	Sf20, 25, 30
	PJS-G1F-SF2	PJS-G1M-SF2	SF40
	PJS-G2F-SF3	PJS-G2M-SF3	SF50
	PJS-G3F-SF3	PJS-G3F-SF3	
	PJS-G2F-SF4	—	SF75
	PJS-G4F-SF5	—	SF110
	PJS-G4F-SF6	—	SF150
	PJS-G4F-SF7	—	SF200

◇Note: Please refer to suction cup with locking fitting and level compensator on page 24.