

## SGP Series

PU Bellows Suction Cup



### Features

- ◇ 2.5 bellows vacuum pad
- ◇ Good elasticity and high tensile strength.
- ◇ Good wear resistance and oil resistance.
- ◇ PU material. Long life time. Its life time is 2-4 times longer than other material.

### Applications

- ◇ Suitable for objects with uneven net-patterned surface.
- ◇ Suitable for plastic industry.

### How to order

## SGP 25 U - G1F

①      ②      ③      ④

① Series	② Diameter	③ Material & Hardness	④ Connection thread
SGP	25-φ25mm	U - PU <span style="background-color: #28a745; color: white; padding: 2px;">55</span>	Nil - Suction cup alone
	35-φ35mm	UD - PU <span style="background-color: #ffc107; color: white; padding: 2px;">30</span>	G1F - G1/8 Female thread
	45-φ45mm		G1M - G1/8 Male thread
	55-φ55mm		G2F - G1/4 Female thread
			G2M - G1/4 Male thread

### Selection

Model/ Connection thread	G1F	G1M	G2F	G2M	G3F	G3M
SGP25 - 45	●	●	-	-	-	-
SGP55	-	-	●	●	●	●

◇Note: "●"- standard, in stock. "-"- unavailable.

### Technical parameters

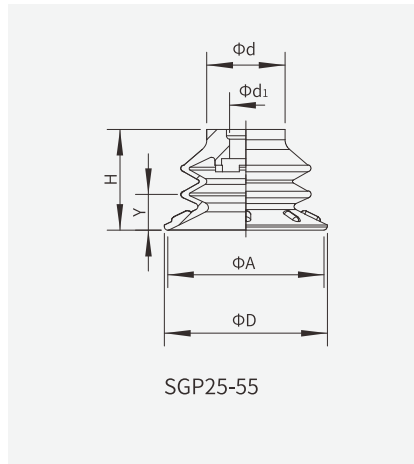
Model	Pull-out force (N)	Inner volume (cm <sup>3</sup> )	Min. curve radius of workpiece (mm)	Recommended hose dia.(mm)
SGP25	22	3	31	6
SGP35	43	6	42	6
SGP45	71	13	54	6
SGP55	106	23	64	10

◇Note: Testing vacuum level -60kPa. Workpiece with smooth and clean surface. The data of pull-out force as above are figured out without considering safety factor. The data may be different according to different workpiece surfaces.

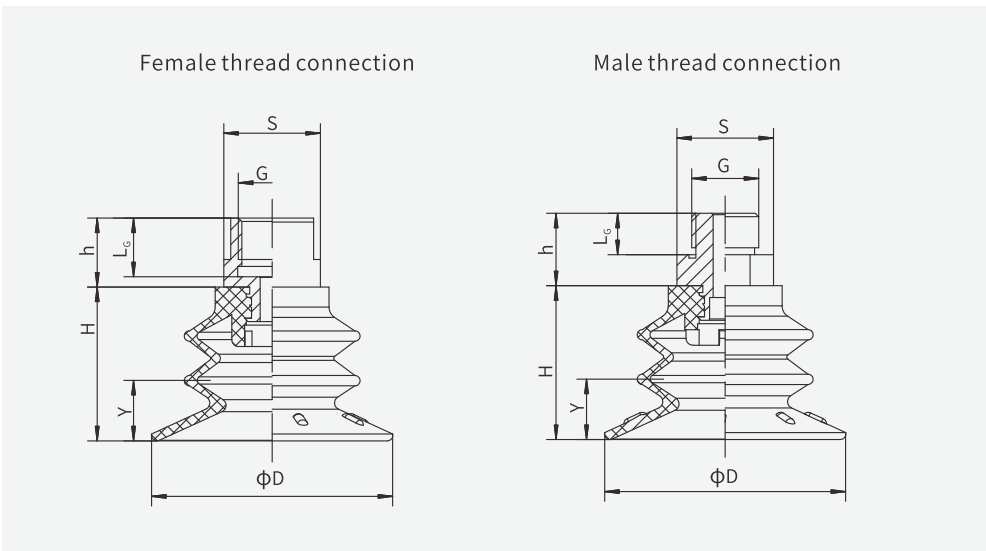
# SGP Series

PU Bellows Suction Cup

## Dimensions (mm)



Model/ Size	D	H	A	d	d <sub>1</sub>	Y
<b>SGP25</b>	25	15.5	24	12	5	5.5
<b>SGP35</b>	35	22.3	33.4	16.5	5	8.4
<b>SGP45</b>	45	29.3	42.8	16.8	6.6	11.5
<b>SGP55</b>	55	36.3	52.4	27.5	10.5	12.9



Model/ Size	D	H	G	h	L <sub>G</sub>	Y	S
<b>SGP25-G1F</b>	25	15.5	G1/8	8	7	5.5	13
<b>G1M</b>				7.8	6		
<b>SGP35-G1F</b>	35	22.3	G1/8	8	7	8.5	13
<b>G1M</b>				7.8	6		
<b>SGP45-G1F</b>	45	29.3	G1/8	10	7	11.5	17
<b>G1M</b>				12	6		
<b>SGP55-G2F</b>	55	36.3	G1/4	13	10	13	24
<b>G2M</b>				17	9		
<b>G3F</b>	55	36.3	G3/8	13	10	13	24
<b>G3M</b>				18	10		

- SB
- SBA
- SBB
- SBF
- SBOF
- SFT
- STP
- SBL
- SBLP
- SF
- SU
- SUF
- SFG
- STC
- SFF
- SFM
- SDM
- SOB
- SOF
- SOG
- SFP
- SBP
- SXP
- SGP**
- SDL
- SH
- SHB
- SZ
- SAN
- SAO
- SPA
- SPC
- SPF
- SPJ
- SPU
- SNP
- SOP

# SGP Series

PU Bellows Suction Cup

## Mounting parts

Item	Model		Applicable suction cup
	F - Female thread	M - Male thread	
<b>Fitting for suction cup</b>	PJS-G1F-SF1-EW	PJS-G1M-SF1-EW	SGP25, 35
	PJS-G1F-SF2-EW	PJS-G1M-SF2-EW	SGP45
	PJS-G2F-SF3-EW	PJS-G2M-SF3-EW	SGP55
	PJS-G3F-SF3-EW	PJS-G3M-SF3-EW	

◇Note: Please refer to suction cup with fixed fitting and spring plunger on page 24.