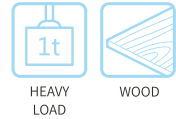


SHB Series

Heavy Load Bellows Suction Cup



Features

- ◇ 1.5 bellows, long stroke, suitable for handling workpiece with uneven and irregular surface.
- ◇ Split type fitting for suction cup, quick replacement of wearing parts, recyclable, significantly cost reduction.
- ◇ Heavy load design, suitable for handling heavy workpiece.

Applications

- ◇ Steel plate
- ◇ Wooden plate
- ◇ Heavy workpiece

How to order

SHB 40 N

① ② ③

| ① Series | ② Diameter | ③ Material & Hardness |
|----------|-------------------|-------------------------------|
| SHB | 40 - ϕ 40mm | N - NBR 55 |
| | 50 - ϕ 50mm | WS - White silicone 50 |
| | 63 - ϕ 63mm | F - Fluorine rubber 65 |
| | 80 - ϕ 80mm | |
| | 100- ϕ 100mm | |
| | 125- ϕ 125mm | |

Technical parameters

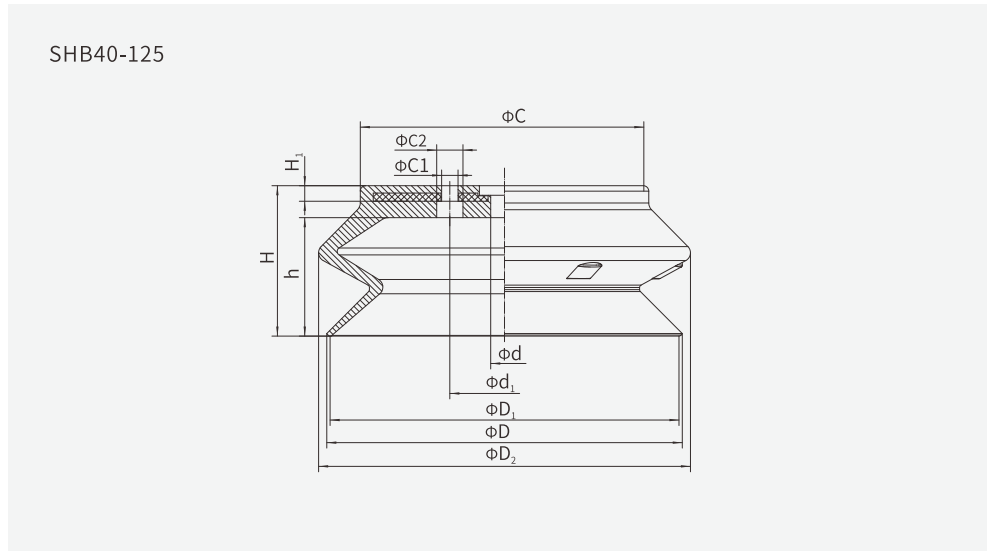
| Model | Pull-out force (N) | Inner volume (cm ³) | Recommended hose dia. (mm) |
|--------|--------------------|---------------------------------|----------------------------|
| SHB40 | 56 | 15 | 8 |
| SHB50 | 88 | 27 | 8 |
| SHB63 | 140 | 45 | 8 |
| SHB80 | 226 | 98 | 8 |
| SHB100 | 353 | 240 | 10 |
| SHB125 | 552 | 384 | 10 |

◇Note: Testing vacuum level -60kPa. Workpiece with smooth and clean surface. The data of pull-out force as above are figured out without considering safety factor. The data may be different according to different workpiece surfaces.

SHB Series

Heavy Load Bellows Suction Cup

Dimensions (mm)



| Model/ Size | D | D ₁ | D ₂ | d | d ₁ | H | H ₁ | h | C | C ₁ | C ₂ |
|---------------|-------|----------------|----------------|----|----------------|------|----------------|------|------|----------------|----------------|
| SHB40 | 41.5 | 40 | 43.2 | 6 | 18 | 20.5 | 3.5 | 13 | 30 | 3-Φ4 | 3-Φ6.5 |
| SHB50 | 52 | 50 | 54 | 6 | 18 | 24 | 3.5 | 16.5 | 40.5 | 3-Φ4 | 3-Φ6.5 |
| SHB63 | 65 | 63 | 67.5 | 8 | 34 | 31.5 | 4.5 | 21.5 | 50 | 4-Φ5 | 4-Φ8 |
| SHB80 | 83 | 80 | 85 | 8 | 34 | 37 | 5 | 27.5 | 64 | 4-Φ5 | 4-Φ8 |
| SHB100 | 103 | 100 | 106.5 | 10 | 40 | 47.5 | 6 | 35.5 | 80 | 4-Φ6 | 4-Φ9.5 |
| SHB125 | 128.5 | 125 | 135 | 10 | 40 | 56 | 6 | 44 | 105 | 4-Φ6 | 4-Φ9.5 |

- SB
- SBA
- SBB
- SBF
- SBOF
- SFT
- STP
- SBL
- SBLP
- SF
- SU
- SUF
- SFG
- STC
- SFF
- SFM
- SDM
- SOB
- SOF
- SOG
- SFP
- SBP
- SXP
- SGP
- SDL
- SH
- SHB**
- SZ
- SAN
- SAO
- SPA
- SPC
- SPF
- SPJ
- SPU
- SNP
- SOP