

SHB Series- Suction Cup With Level Compensator

Heavy Load Bellows Suction Cup



- SB
- SBA
- SBB
- SBF
- SBOF
- SFT
- STP
- SBL
- SBLP
- SF
- SU
- SUF
- SFG
- STC
- SFF
- SFM
- SDM
- SOB
- SOF
- SOG
- SFP
- SBP
- SXP
- SGP
- SDL
- SH
- SHB**
- SZ
- SAN
- SAO
- SPA
- SPC
- SPP
- SPJ
- SPU
- SNP
- SOP

How to order

SHB40N - H E 25 LR1 - M18

① ② ③ ④ ⑤ ⑥

① Model	② Level compensator type	③ Buffer style
Refer to suction cup on page 155-156	H-PSPH Series	E - External spring

④ Buffer stroke	⑤ vacuum port direction	⑥ Mounting thread
25	Nil - Vertical,Rc1/8 Female thread	M18 - M18x1.5
50	LR1 - Lateral,Rc1/8 Female thread	M22 - M22x1.5
75		
100		

Selection

Model	Buffer stroke				Mounting thread	
	25	50	75	100	M18	M22
SHB40 - 80	●	●	●	—	●	—
SHB100 - 125	●	●	●	●	—	●

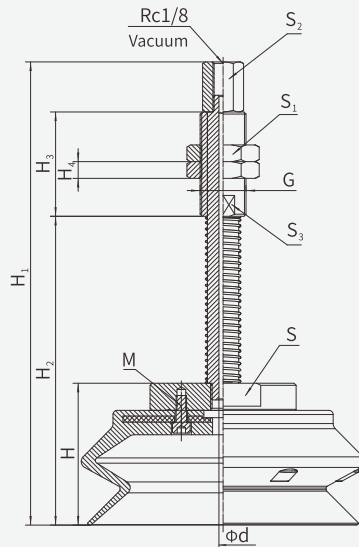
◇Note: "●"- standard, in stock. "—"unavailable.

SHB Series- Suction Cup With Level Compensator

Heavy Load Bellows Suction Cup

Dimensions (mm)

Vertical direction connection



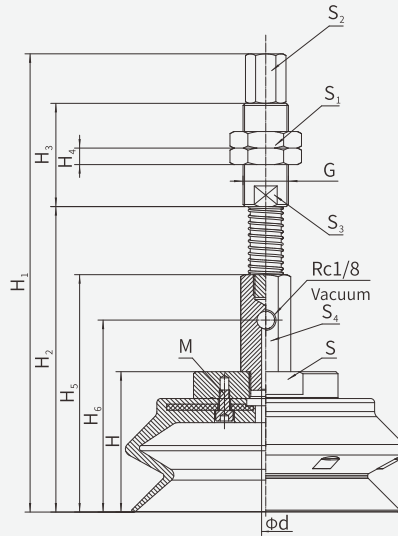
Model/ Size	H	H ₁	H ₂	H ₃	H ₄	d	G	M	S	S ₁	S ₂	S ₃
SHB40-HE25-M18	32	127.5	72	35	6	3	M18×1.5	3-M3	24	27	14	16
SHB40-HE50-M18	32	162.5	107	35	6	3	M18×1.5	3-M3	24	27	14	16
SHB40-HE75-M18	32	198.5	143	35	6	3	M18×1.5	3-M3	24	27	14	16
SHB50-HE25-M18	35.5	131	75.5	35	6	3	M18×1.5	3-M3	24	27	14	16
SHB50-HE50-M18	35.5	166	110.5	35	6	3	M18×1.5	3-M3	24	27	14	16
SHB50-HE75-M18	35.5	202	146.5	35	6	3	M18×1.5	3-M3	24	27	14	16
SHB63-HE25-M18	43	138.5	83	35	6	3	M18×1.5	4-M4	37	27	14	16
SHB63-HE50-M18	43	173.5	118	35	6	3	M18×1.5	4-M4	37	27	14	16
SHB63-HE75-M18	43	209.5	154	35	6	3	M18×1.5	4-M4	37	27	14	16
SHB80-HE25-M18	48.5	144	88.5	35	6	3	M18×1.5	4-M4	37	27	14	16
SHB80-HE50-M18	48.5	179	123.5	35	6	3	M18×1.5	4-M4	37	27	14	16
SHB80-HE75-M18	48.5	215	159.5	35	6	3	M18×1.5	4-M4	37	27	14	16
SHB100-HE25-M22	60.5	178.5	104.5	50	8	4	M22×1.5	4-M5	60	30	17	19
SHB100-HE50-M22	60.5	214.5	140.5	50	8	4	M22×1.5	4-M5	60	30	17	19
SHB100-HE75-M22	60.5	254.5	180.5	50	8	4	M22×1.5	4-M5	60	30	17	19
SHB100-HE100-M22	60.5	289.5	215.5	50	8	4	M22×1.5	4-M5	60	30	17	19
SHB125-HE25-M22	69	187	113	50	8	4	M22×1.5	4-M5	60	30	17	19
SHB125-HE50-M22	69	223	149	50	8	4	M22×1.5	4-M5	60	30	17	19
SHB125-HE75-M22	69	263	189	50	8	4	M22×1.5	4-M5	60	30	17	19
SHB125-HE100-M22	69	298	224	50	8	4	M22×1.5	4-M5	60	30	17	19

SHB Series- Suction Cup With Level Compensator

Heavy Load Bellows Suction Cup

Dimensions (mm)

Lateral direction connection



Model/ Size	H	H ₁	H ₂	H ₃	H ₄	H ₅	H ₆	d	G	M	S	S ₁	S ₂	S ₃	S ₄
SHB40-HE25LR1-M18	32	160	109	35	6	69	47	3	M18×1.5	3-M3	24	27	14	16	21
SHB40-HE50LR1-M18	32	195	144	35	6	69	47	3	M18×1.5	3-M3	24	27	14	16	21
SHB40-HE75LR1-M18	32	231	180	35	6	69	47	3	M18×1.5	3-M3	24	27	14	16	21
SHB50-HE25LR1-M18	35.5	163.5	112.5	35	6	72.5	50.5	3	M18×1.5	3-M3	24	27	14	16	21
SHB50-HE50LR1-M18	35.5	198.5	147.5	35	6	72.5	50.5	3	M18×1.5	3-M3	24	27	14	16	21
SHB50-HE75LR1-M18	35.5	234.5	183.5	35	6	72.5	50.5	3	M18×1.5	3-M3	24	27	14	16	21
SHB63-HE25LR1-M18	43	171	120	35	6	80	58	3	M18×1.5	4-M4	37	27	14	16	21
SHB63-HE50LR1-M18	43	206	155	35	6	80	58	3	M18×1.5	4-M4	37	27	14	16	21
SHB63-HE75LR1-M18	43	242	191	35	6	80	58	3	M18×1.5	4-M4	37	27	14	16	21
SHB80-HE25LR1-M18	48.5	176.5	125.5	35	6	85.5	63.5	3	M18×1.5	4-M4	37	27	14	16	21
SHB80-HE50LR1-M18	48.5	211.5	160.5	35	6	85.5	63.5	3	M18×1.5	4-M4	37	27	14	16	21
SHB80-HE75LR1-M18	48.5	247.5	196.5	35	6	85.5	63.5	3	M18×1.5	4-M4	37	27	14	16	21
SHB100-HE25LR1-M22	60.5	212.5	141.5	50	8	97.5	75.5	4	M22×1.5	4-M5	60	30	17	19	21
SHB100-HE50LR1-M22	60.5	248.5	177.5	50	8	97.5	75.5	4	M22×1.5	4-M5	60	30	17	19	21
SHB100-HE75LR1-M22	60.5	288.5	217.5	50	8	97.5	75.5	4	M22×1.5	4-M5	60	30	17	19	21
SHB100-HE100LR1-M22	60.5	323.5	252.5	50	8	97.5	75.5	4	M22×1.5	4-M5	60	30	17	19	21
SHB125-HE25LR1-M22	69	221	150	50	8	106	84	4	M22×1.5	4-M5	60	30	17	19	21
SHB125-HE50LR1-M22	69	257	186	50	8	106	84	4	M22×1.5	4-M5	60	30	17	19	21
SHB125-HE75LR1-M22	69	297	226	50	8	106	84	4	M22×1.5	4-M5	60	30	17	19	21
SHB125-HE100LR1-M22	69	332	261	50	8	106	84	4	M22×1.5	4-M5	60	30	17	19	21

- SB
- SBA
- SBB
- SBF
- SBOF
- SFT
- STP
- SBL
- SBLP
- SF
- SU
- SUF
- SFG
- STC
- SFF
- SFM
- SDM
- SOB
- SOF
- SOG
- SFP
- SBP
- SXP
- SGP
- SDL
- SH
- SHB**
- SZ
- SAN
- SAO
- SPA
- SPC
- SPF
- SPJ
- SPU
- SNP
- SOP