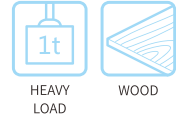


# SH Series

Heavy Load Flat Suction Cup



## Features

- ◇ Flat structure and short stroke, suitable for handling workpiece with even surface.
- ◇ Split type fitting for suction cup, quick replacement of wearing parts, recyclable, significantly cost reduction.
- ◇ Heavy load design, suitable for handling heavy workpiece.

## Applications

- ◇ Steel plate
- ◇ Wooden plate
- ◇ Heavy workpiece

## How to order

SH 40 N

① ② ③

① Series	② Diameter	③ Material & Hardness
SH	40 -φ40mm	N - NBR <b>55</b>
	50 -φ50mm	WS- White silicone <b>50</b>
	63 -φ63mm	F - Fluorine rubber <b>65</b>
	80 -φ80mm	
	100-φ100mm	
	125-φ125mm	

## Technical parameters

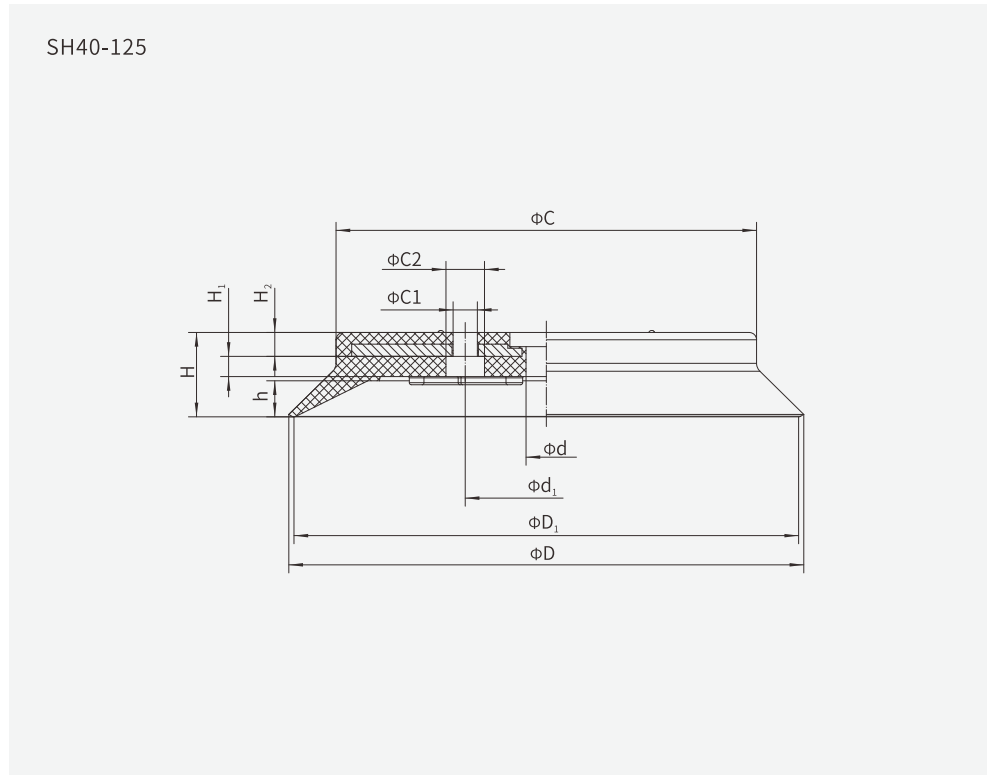
Model	Pull-out force (N)	Inner volume (cm <sup>3</sup> )	Recommended hose dia.(mm)
SH40	56	4	8
SH50	88	6.9	8
SH63	140	11.5	8
SH80	226	24	8
SH100	353	55	10
SH125	552	85	10

◇Note: Testing vacuum level -60kPa. Workpiece with smooth and clean surface. The data of pull-out force as above are figured out without considering safety factor. The data may be different according to different workpiece surfaces.

# SH Series

Heavy Load Flat Suction Cup

## Dimensions (mm)



Model/ Size	D	D <sub>1</sub>	d	d <sub>1</sub>	H	H <sub>1</sub>	H <sub>2</sub>	h	C	C <sub>1</sub>	C <sub>2</sub>
<b>SH40</b>	42	40	6	18	11.5	3.5	3.5	3.5	32	3-Φ4	3-Φ6.5
<b>SH50</b>	52	50	6	18	11.5	3.5	3.5	3.5	42	3-Φ4	3-Φ6.5
<b>SH63</b>	65	63	8	34	14.5	4.5	4.5	3.5	51	4-Φ5	4-Φ8
<b>SH80</b>	82	80	8	34	16.5	4.5	4.5	4.5	68	4-Φ5	4-Φ8
<b>SH100</b>	103	100	10	40	21	5	6	7.5	80	4-Φ6	4-Φ9.5
<b>SH125</b>	127	125	10	40	21	5	6	7.5	104	4-Φ6	4-Φ9.5

- SB
- SBA
- SBB
- SBF
- SBOF
- SFT
- STP
- SBL
- SBLP
- SF
- SU
- SUF
- SFG
- STC
- SFF
- SFM
- SDM
- SOB
- SOF
- SOG
- SFP
- SBP
- SXP
- SGP
- SDL
- SH**
- SHB
- SZ
- SAN
- SAO
- SPA
- SPC
- SPF
- SPJ
- SPU
- SNP
- SOP