

# SH Series- Suction Cup With Level Compensator

Heavy Load Flat Suction Cup



## How to order

SH40N - H E 25 LR1 - M18

①      ②   ③   ④      ⑤      ⑥

① Model	② Level compensator type	③ Buffer style
Refer to suction cup on page 147-148	H - PSPH Series	E - External spring
④ Buffer stroke	⑤ Vacuum port direction	⑥ Mounting thread
25	Nil - Vertical, Rc1/8 Female thread	M18 - M18x1.5
50	LR1 - Lateral, Rc1/8 Female thread	M22 - M22x1.5
75		
100		

## Selection

Model	Buffer stroke				Mounting thread	
	25	50	75	100	M18	M22
SH40 - 80	●	●	●	—	●	—
SH100 - 125	●	●	●	●	—	●

◇Note: "●"- standard, in stock. "—"-unavailable.

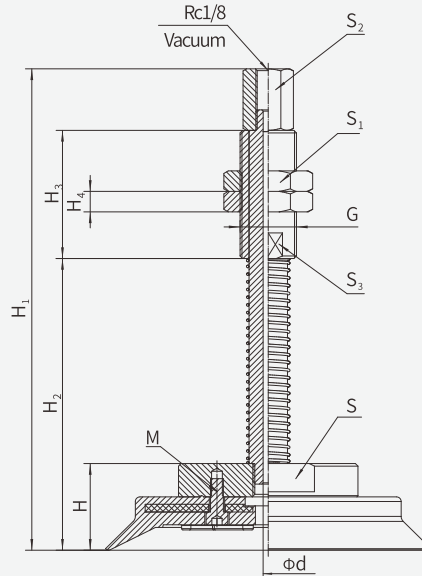
- SB
- SBA
- SBB
- SBF
- SBOF
- SFT
- STP
- SBL
- SBLP
- SF
- SU
- SUF
- SFG
- STC
- SFF
- SFM
- SDM
- SOB
- SOF
- SOG
- SFP
- SBP
- SXP
- SGP
- SDL
- SH**
- SHB
- SZ
- SAN
- SAO
- SPA
- SPC
- SPF
- SPJ
- SPU
- SNP
- SOP

# SH Series- Suction Cup With Level Compensator

## Heavy Load Flat Suction Cup

### Dimensions (mm)

Vertical direction connection



Model/ Size	H	H <sub>1</sub>	H <sub>2</sub>	H <sub>3</sub>	H <sub>4</sub>	d	G	M	S	S <sub>1</sub>	S <sub>2</sub>	S <sub>3</sub>
SH40-HE25-M18	23	118.5	63	35	6	3	M18×1.5	3-M3	24	27	14	16
SH40-HE50-M18	23	153.5	98	35	6	3	M18×1.5	3-M3	24	27	14	16
SH40-HE75-M18	23	189.5	134	35	6	3	M18×1.5	3-M3	24	27	14	16
SH50-HE25-M18	23	118.5	63	35	6	3	M18×1.5	3-M3	24	27	14	16
SH50-HE50-M18	23	153.5	98	35	6	3	M18×1.5	3-M3	24	27	14	16
SH50-HE75-M18	23	189.5	134	35	6	3	M18×1.5	3-M3	24	27	14	16
SH63-HE25-M18	26	121.5	66	35	6	3	M18×1.5	4-M4	37	27	14	16
SH63-HE50-M18	26	156.5	101	35	6	3	M18×1.5	4-M4	37	27	14	16
SH63-HE75-M18	26	192.5	137	35	6	3	M18×1.5	4-M4	37	27	14	16
SH80-HE25-M18	28	123.5	68	35	6	3	M18×1.5	4-M4	37	27	14	16
SH80-HE50-M18	28	158.5	103	35	6	3	M18×1.5	4-M4	37	27	14	16
SH80-HE75-M18	28	194.5	139	35	6	3	M18×1.5	4-M4	37	27	14	16
SH100-HE25-M22	34	152	78	50	8	4	M22×1.5	4-M5	60	30	17	19
SH100-HE50-M22	34	188	114	50	8	4	M22×1.5	4-M5	60	30	17	19
SH100-HE75-M22	34	228	154	50	8	4	M22×1.5	4-M5	60	30	17	19
SH100-HE100-M22	34	263	189	50	8	4	M22×1.5	4-M5	60	30	17	19
SH125-HE25-M22	34	152	78	50	8	4	M22×1.5	4-M5	60	30	17	19
SH125-HE50-M22	34	188	114	50	8	4	M22×1.5	4-M5	60	30	17	19
SH125-HE75-M22	34	228	154	50	8	4	M22×1.5	4-M5	60	30	17	19
SH125-HE100-M22	34	263	189	50	8	4	M22×1.5	4-M5	60	30	17	19

# SH Series- Suction Cup With Level Compensator

## Heavy Load Flat Suction Cup

SB

SBA

SBB

SBF

SBOF

SFT

STP

SBL

SBLP

SF

SU

SUF

SFG

STC

SFF

SFM

SDM

SOB

SOF

SOG

SFP

SBP

SXP

SGP

SDL

**SH**

SHB

SZ

SAN

SAO

SPA

SPC

SPF

SPJ

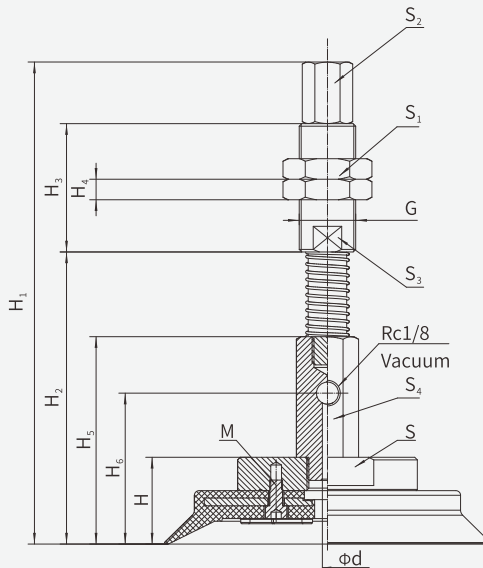
SPU

SNP

SOP

### Dimensions (mm)

Lateral direction connection



Model/ Size	H	H <sub>1</sub>	H <sub>2</sub>	H <sub>3</sub>	H <sub>4</sub>	H <sub>5</sub>	H <sub>6</sub>	d	G	M	S	S <sub>1</sub>	S <sub>2</sub>	S <sub>3</sub>	S <sub>4</sub>
SH40-HE25LR1-M18	23	151	100	35	6	60	38	3	M18×1.5	3-M3	24	27	14	16	21
SH40-HE50LR1-M18	23	186	135	35	6	60	38	3	M18×1.5	3-M3	24	27	14	16	21
SH40-HE75LR1-M18	23	222	171	35	6	60	38	3	M18×1.5	3-M3	24	27	14	16	21
SH50-HE25LR1-M18	23	151	100	35	6	60	38	3	M18×1.5	3-M3	24	27	14	16	21
SH50-HE50LR1-M18	23	186	135	35	6	60	38	3	M18×1.5	3-M3	24	27	14	16	21
SH50-HE75LR1-M18	23	222	171	35	6	60	38	3	M18×1.5	3-M3	24	27	14	16	21
SH63-HE25LR1-M18	26	154	103	35	6	63	41	3	M18×1.5	4-M4	37	27	14	16	21
SH63-HE50LR1-M18	26	189	136	35	6	63	41	3	M18×1.5	4-M4	37	27	14	16	21
SH63-HE75LR1-M18	26	225	172	35	6	63	41	3	M18×1.5	4-M4	37	27	14	16	21
SH80-HE25LR1-M18	28	156	105	35	6	63	41	3	M18×1.5	4-M4	37	27	14	16	21
SH80-HE50LR1-M18	28	191	138	35	6	63	41	3	M18×1.5	4-M4	37	27	14	16	21
SH80-HE75LR1-M18	28	227	174	35	6	63	41	3	M18×1.5	4-M4	37	27	14	16	21
SH100-HE25LR1-M22	34	186	115	50	8	71	49	4	M22×1.5	4-M5	60	30	17	19	21
SH100-HE50LR1-M22	34	222	151	50	8	71	49	4	M22×1.5	4-M5	60	30	17	19	21
SH100-HE75LR1-M22	34	262	191	50	8	71	49	4	M22×1.5	4-M5	60	30	17	19	21
SH100-HE100LR1-M22	34	297	226	50	8	71	49	4	M22×1.5	4-M5	60	30	17	19	21
SH125-HE25LR1-M22	34	186	115	50	8	71	49	4	M22×1.5	4-M5	60	30	17	19	21
SH125-HE50LR1-M22	34	222	151	50	8	71	49	4	M22×1.5	4-M5	60	30	17	19	21
SH125-HE75LR1-M22	34	262	191	50	8	71	49	4	M22×1.5	4-M5	60	30	17	19	21
SH125-HE100LR1-M22	34	297	226	50	8	71	49	4	M22×1.5	4-M5	60	30	17	19	21