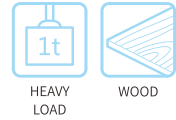


SH Series- Suction Cup With Locking Fitting

Heavy Load Flat Suction Cup



How to order

SH40N - LR1 - M10F

① ② ③

① Model	② Vacuum port direction and connection thread	③ Connection thread
Refer to suction cup on page 147-148	Nil - Vertical, Female thread	M10F - M10 Female thread
	R1 - Vertical (Rc1/8), Male thread	M12F - M12 Female thread
	LR1 - Lateral (Rc1/8), Female thread	G2F - G1/4 Female thread
		G3F - G3/8 Female thread
		M14M - M14x1 Male thread
		M16M - M16x1.5 Male thread

Selection

Model	Vacuum port direction and connection thread	M10F	M12F	G2F	G3F	M14M	M16M
SH40-80	Nil	●	—	●	—	—	—
SH100-125	Nil	—	●	—	●	—	—
SH40-50	R1	—	—	—	—	●	—
SH63-125	R1	—	—	—	—	—	●
SH40-125	LR1	●	—	—	—	—	—

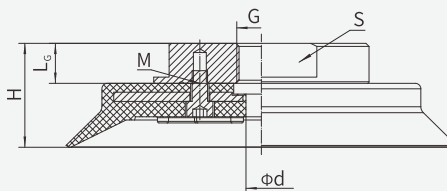
◇Note: "●"- standard, in stock. "—" -unavailable.

SH Series- Suction Cup With Locking Fitting

Heavy Load Flat Suction Cup

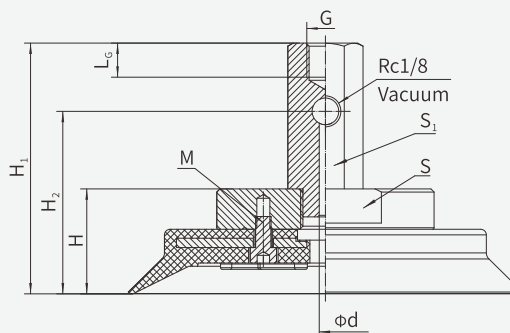
Dimensions (mm)

Vertical direction connection - Female thread



Model/ Size	d	H	h	G	M	L _g	S
SH40-G2F	6	23	3	G1/4	3-M3	11.5	24
SH40-M10F	6	23	3	M10×1.5	3-M3	11.5	24
SH50-G2F	6	23	3	G1/4	3-M3	11.5	24
SH50-M10F	6	23	3	M10×1.5	3-M3	11.5	24
SH63-G2F	8	26	3.5	G1/4	3-M3	11.5	37
SH63-M10F	8	26	3.5	M10×1.5	4-M4	11.5	37
SH80-G2F	8	28	4.5	G1/4	4-M4	11.5	37
SH80-M10F	8	28	4.5	M10×1.5	4-M4	11.5	37
SH100-G3F	10	34	7.5	G3/8	4-M5	13	60
SH100-M12F	10	34	7.5	M12×1.75	4-M4	13	60
SH125-G3F	10	34	7.5	G3/8	4-M5	13	60
SH125-M12F	10	34	7.5	M12×1.75	4-M5	13	60

Lateral direction connection - Female thread



Model/ Size	d	H	H ₁	H ₂	h	G	M	L _g	S	S ₁
SH40-LR1-M10F	3	23	60	38	3	M10×1.5	3-M3	11	24	21
SH50-LR1-M10F	3	23	60	38	3	M10×1.5	3-M3	11	24	21
SH63-LR1-M10F	4	26	63	41	3.5	M10×1.5	4-M4	11	37	21
SH80-LR1-M10F	4	28	65	43	4.5	M10×1.5	4-M4	11	37	21
SH100-LR1-M10F	10	34	71	49	7.5	M10×1.5	5-M5	11	60	21
SH125-LR1-M10F	10	34	71	49	7.5	M10×1.5	5-M5	11	60	21

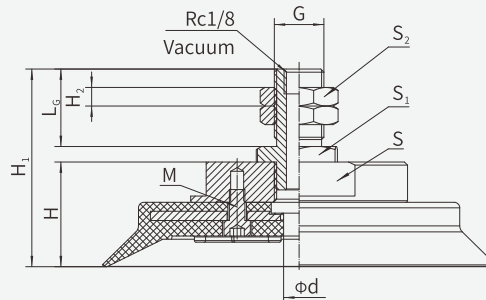
- SB
- SBA
- SBB
- SBF
- SBOF
- SFT
- STP
- SBL
- SBLP
- SF
- SU
- SUF
- SFG
- STC
- SFF
- SFM
- SDM
- SOB
- SOF
- SOG
- SFP
- SBP
- SXP
- SGP
- SDL
- SH**
- SHB
- SZ
- SAN
- SAO
- SPA
- SPC
- SPF
- SPJ
- SPU
- SNP
- SOP

SH Series- Suction Cup With Locking Fitting

Heavy Load Flat Suction Cup

Dimensions (mm)

Vertical direction connection - Male thread



Model/ Size	d	H	H ₁	H ₂	h	G	M	L _G	S	S ₁	S ₂
SH40-R1-M14M	3	23	53	5	3	M14×1	3-M3	25	24	19	19
SH50-R1-M14M	3	23	53	5	3	M14×1	3-M3	25	24	19	19
SH63-R1-M16M	8	26	56	6	3.5	M16×1.5	4-M4	25	37	24	22
SH80-R1-M16M	8	28	58	6	4.5	M16×1.5	4-M4	25	37	24	22
SH100-R1-M16M	8	34	64	6	7.5	M16×1.5	5-M5	25	60	24	22
SH125-R1-M16M	8	34	64	6	7.5	M16×1.5	5-M5	25	60	24	22