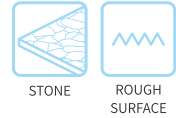


SNP Series

Flat Rectangular Foam Rubber Pad



Features

- ◇ Suitable for very rough and uneven surface and all other applications in which traditional suction cups can't be used.
- ◇ NF(black) is suitable for handling workpiece with rough surface and for outdoor use. Good weather and ozone aging resistance, but poor in yield elasticity and storage stability. It is not suitable for food industry.
- ◇ OF(orange) is suitable for handling workpiece with very rough surface. It has good yield elasticity, wear resistance, tear resistance, high cut resistance and good malleability, but poor in oil resistance, heat resistance and aging resistance. It is not suitable for food industry.
- ◇ Various sizes suitable for workpiece of different sizes.

Applications

- ◇ Buckle plate
- ◇ Marble
- ◇ Grid metal plate
- ◇ Tile
- ◇ Cement board

Usage

◇ The sponge lip can compensate the gap on the rough surface, which can be used in the occasion that the general suction cup cannot suck the workpiece firmly. However, more attention needs to be paid while using due to its poor tear resistance. The sponge lip only has the sealing function and cannot handle the pulling condition. Hence, firstly be sure to press the flat rectangular foam rubber pad and the workpiece to the limit, and then open the vacuum to pick up the workpiece. When releasing the workpiece, firstly place it in the specified position, then stop vacuum in order to protect the sponge lip from tearing. Please consult with customer service if any thing unclear in actual operation.

How to order

SNP 50×135 NF - G2F

- ① ② ③ ④

① Series	② Dimension	③ Material & Hardness	④ Connection thread
SNP	50×135	NF - Neoprene foam rubber 	G2F - G1/4 Female thread
	60×135	OF - Geranium foam rubber 	G3F - G3/8 Female thread
	75×107		G4F - G1/2 Female thread
	68×290		
	140×290		

Selection

Model/ Connection thread	G2F	G3F	G4F
SNP50×135	●	—	—
SNP60×135	●	—	—
SNP75×107	●	—	—
SNP68×290	—	●	—
SNP140×290	—	—	●

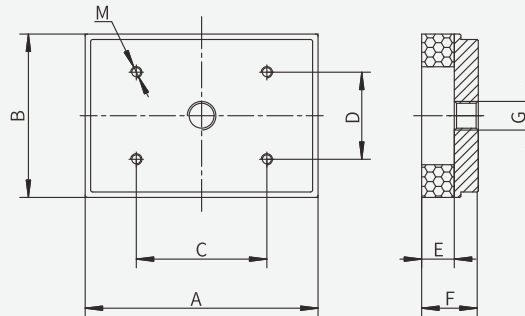
◇Note: "●"- standard, in stock. "—" - unavailable.

SNP Series

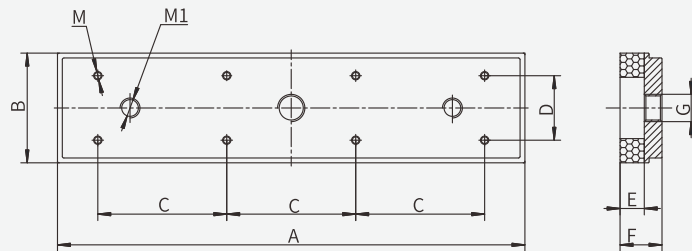
Flat Rectangular Foam Rubber Pad

Dimensions (mm)

SNP50×135
SNP60×135
SNP70×107



SNP68×290
SNP140×290



Model/ Size	Pull-out force (N)	A	B	C	D	E	F	G	M	M1
SNP50×135	60	135	50	80	30	15	26	G1/4	4—M5	—
SNP60×135	80	135	60	80	40	15	26	G1/4	4—M5	—
SNP75×107	90	107	75	60	40	15	26	G1/4	4—M5	—
SNP68×290	250	290	68	80	40	15	26	G3/8	8—M5	2—M12
SNP140×290	720	290	140	80	100	15	26	G1/2	8—M5	2—M12

◇Note: Testing vacuum level -60kPa. Workpiece with smooth and clean surface. The data of pull-out force as above are figured out without considering safety factor. The data may be different according to different workpiece surfaces.

Spare parts

Item	Model		Applicable flat rectangular foam rubber pad
	NF	OF	
Sponge	SNP50×135NF	SNP50×135OF	SNP50×135
	SNP60×135NF	SNP60×135OF	SNP60×135
	SNP75×107NF	SNP75×107OF	SNP75×107
	SNP68×290NF	SNP68×290OF	SNP68×290
	SNP140×290NF	SNP140×290OF	SNP140×290

Note: Please refer to suction cup with locking fitting and level compensator on page 24.

- SB
- SBA
- SBB
- SBF
- SBOF
- SFT
- STP
- SBL
- SBLP
- SF
- SU
- SUF
- SFG
- STC
- SFF
- SFM
- SDM
- SOB
- SOF
- SOG
- SFP
- SBP
- SXP
- SGP
- SDL
- SH
- SHB
- SZ
- SAN
- SAO
- SPA
- SPC
- SPF
- SPJ
- SPU
- SNP
- SOP