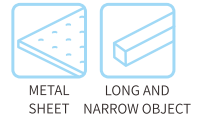


# SOB Series

Oval Bellows Suction Cup Special for Sheet Metal



## Features

- ◇ Large inner support structure protects the sheet metal from deformation and damage during the handling process.
- ◇ Slot structure efficiently improves the friction force between vacuum pad and workpiece in order to prevent the oily sheet metal from slipping during the handling process.
- ◇ 1.5 bellows structure has good sealing and buffer to workpiece with uneven surface.
- ◇ Oval suction cup is more suitable for long and narrow workpiece with flat surface and curved surface.

## Applications

- ◇ Car stamped steel plate, oily steel plate
- ◇ Long and thin workpiece with slightly curved surface

## How to order

SOB 30×60 N - G2F

①
②
③
④

① Series	② Dimension	③ Material & Hardness	④ Connection thread
SOB	30×60	N -NBR <span style="background-color: #f96;">60</span>	<b>G2M</b> - G1/4 Male thread
	40×80		<b>G2F</b> - G1/4 Female thread
	55×110		<b>G3F</b> - G3/8 Female thread
	70×140		<b>M10M</b> - M10 Male thread
			<b>M14M</b> - M14×1.5 Male thread
			<b>RA</b> - Rectangular adapter

# SOB Series

Oval Bellows Suction Cup Special for Sheet Metal

- SB
- SBA
- SBB
- SBF
- SBOF
- SFT
- STP
- SBL
- SBLP
- SF
- SU
- SUF
- SFG
- STC
- SFF
- SFM
- SDM
- SOB**
- SOF
- SOG
- SFP
- SBP
- SXP
- SGP
- SDL
- SH
- SHB
- SZ
- SAN
- SAO
- SPA
- SPC
- SPF
- SPJ
- SPU
- SNP
- SOP

## Selection

Model/ Connection thread	G2F	G2M	G3F	M10M	M14M	RA
<b>SOB30×60</b>	●	○	○	○	○	○
<b>SOB40×80</b>	●	○	○	○	○	○
<b>SOB55×110</b>	○	○	●	○	○	○
<b>SOB70×140</b>	○	○	●	○	○	○

◇ Note: "●"- standard, in stock. "○"-selective, can be achieved in other way (e. g.adapter).

## Technical parameters

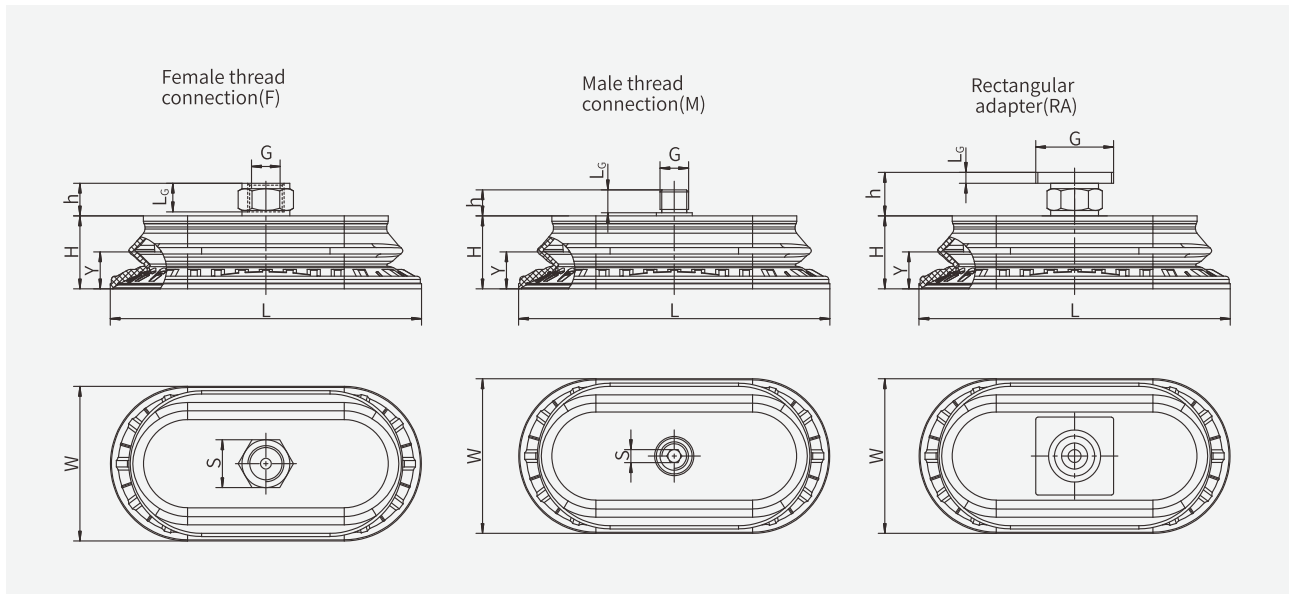
Model	Vertical pull-out force (N)	Lateral pull-out force (N)	Lateral pull-out force (N) (oily surface)	Recommended hose dia. (mm)	Weight (g)	Inner volume (cm3)	Min. curve radius of workpiece (mm)
<b>SOB30×60</b>	53	60	50	6	26	8.7	25
<b>SOB40×80</b>	110	118	101	8	33	20	32
<b>SOB55×110</b>	197	200	183	8	75	50	50
<b>SOB70×140</b>	275	295	267	8	117	100	70

◇ Note: Vacuum level is -60kPa,workpiece surface is smooth and clean. The above pull-out force are specified without any safety factor. The value will changes according to different surface conditions of workpiece.

# SOB Series

Oval Bellows Suction Cup Special for Sheet Metal

## Dimensions (mm)



Model/ Size	L	W	H	G	L <sub>c</sub>	h	S	Y
<b>SOB30x60-G2F</b>	62	32	20	G1/4	11	14	17	6
<b>G2M</b>				G1/4	12	13.5	5	
<b>G3F</b>				G3/8	11	14	22	
<b>M10M</b>				M10	12	13.5	5	
<b>M14M</b>				M14×1.5	12	13.5	5	
<b>RA</b>				□32	4.7	18.7	—	
<b>SOB40x80-G2F</b>	82	42	23	G1/4	11	14	17	8.8
<b>G2M</b>				G1/4	12	13.5	5	
<b>G3F</b>				G3/8	11	14	22	
<b>M10M</b>				M10	12	13.5	5	
<b>M14M</b>				M14×1.5	12	13.5	5	
<b>RA</b>				□32	4.7	18.7	—	
<b>SOB55x110-G2F</b>	112	57	29	G1/4	11	14	17	12.5
<b>G2M</b>				G1/4	12	13.5	5	
<b>G3F</b>				G3/8	11	14	22	
<b>M10M</b>				M10	12	13.5	5	
<b>M14M</b>				M14×1.5	12	13.5	5	
<b>RA</b>				□32	4.7	18.7	—	
<b>SOB70x140-G2F</b>	143	72	33.5	G1/4	11	14	17	17
<b>G2M</b>				G1/4	12	13.5	5	
<b>G3F</b>				G3/8	11	14	22	
<b>M10M</b>				M10	12	13.5	5	
<b>M14M</b>				M14×1.5	12	13.5	5	
<b>RA</b>				□32	4.7	18.7	—	

◇Note: Please refer to suction cup with locking fitting and level compensator on page 24.