

SUF Series

Small Flat Suction Cup



Features

- ◇ Suitable for objects with slightly uneven surface.
- ◇ Suitable for all kinds of objects with smooth surface.

Applications

- ◇ Electronic components
- ◇ Solar wafer
- ◇ Sheet metal

How to order

SUF 3.5 N - M5M

- ① ② ③ ④

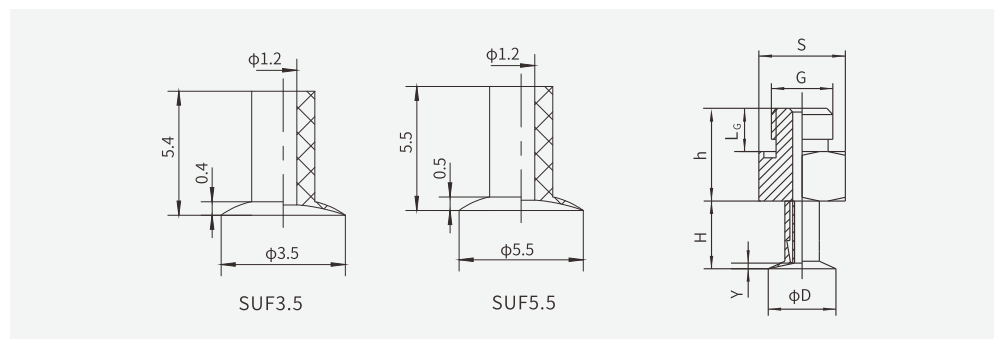
① Series	② Diameter	③ Material & Hardness	④ Connection thread
SUF	3.5 - ϕ 3.5mm 5.5 - ϕ 5.5mm	N - NBR 55 S - Silicone 50	Nil - Suction cup alone M5M - M5 Male thread

Technical parameters

Model	Pull-out force (N)	Inner volume (cm ³)	Min. curve radius of workpiece (mm)	Recommended hose dia. (mm)
SUF3.5	0.4	<0.1	6	4
SUF5.5	0.7	<0.1	10	4

◇Note: Testing vacuum level -60kPa. Workpiece with smooth and clean surface. The data of pull-out force as above are figured out without considering safety factor. The data may be different according to different workpiece surfaces.

Dimensions(mm)



Model/ Size	D	Y	H	h	G	L _G	S
SUF3.5-M5M	3.5	0.4	5.4	4	M5	3.5	7
SUF5.5-M5M	5.5	0.5	5.5	4	M5	3.5	7

Mounting parts

Item	Model	Applicable suction cup
Fitting for suction cup	PJS-M5M-SUF5.5	SUF3.5, 5.5

◇Note: Please refer to suction cup with locking fitting and level compensator on page 24.