

SXP Series

PU Bellows Suction Cup



- SB
- SBA
- SBB
- SBF
- SBOF
- SFT
- STP
- SBL
- SBLP
- SF
- SU
- SUF
- SFG
- STC
- SFF
- SFM
- SDM
- SOB
- SOF
- SOG
- SFP
- SBP
- SXP**
- SGP
- SDL
- SH
- SHB
- SZ
- SAN
- SAO
- SPA
- SPC
- SFP
- SPJ
- SPU
- SNP
- SOP

Features

- ◇ 2.5 bellows suction cup
- ◇ Good wear resistance and oil resistance.
- ◇ High tensile strength
- ◇ PU material, long life time. It lasts 2-4 times longer than other materials.

Applications

- ◇ Workpiece with uneven surface
- ◇ Smooth steel plate

How to order

SXP 20 UG - G1F

- ① ② ③ ④

① Series	② Diameter	③ Material & Hardness	④ Connection thread
SXP	20 - φ20mm	U - PU 60	Nil - Suction cup alone
	25 - φ25mm	UD - PU 30 60	G1F - G1/8 Female thread
	30 - φ30mm	UG - PU 55	G1M - G1/8 Male thread
	35 - φ35mm		G2F - G1/4 Female thread
	40 - φ40mm		G2M - G1/4 Male thread
	50 - φ50mm		G3F - G3/8 Female thread
	70 - φ70mm		G3M - G3/8 Male thread

Selection

Model/ Connection thread	G1F	G1M	G2F	G2M	G3F	G3M
SXP20 - 40	●	●	—	—	—	—
SXP50	—	—	●	●	●	●
SXP70	—	—	—	—	●	●

◇Note: "●"- standard, in stock. "—"-unavailable.

SXP Series

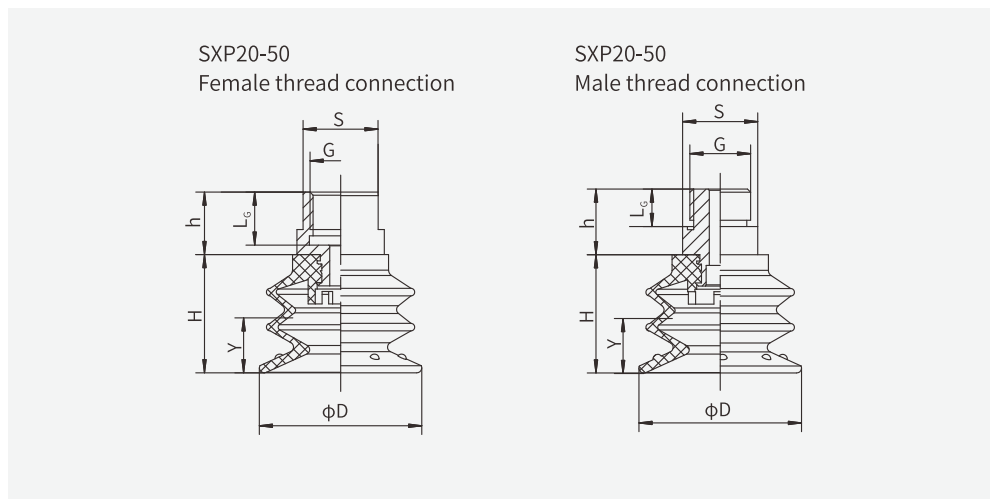
PU Bellows Suction Cup

Technical parameters

Model	Pull-out force (N)	Inner volume (cm ³)	Min. curve radius of workpiece (mm)	Recommended hose dia. (mm)
SXP20	14	2	24	6
SXP25	22	3	31	6
SXP30	31	5	30	6
SXP35	43	9	39	6
SXP40	56.5	11	45	6
SXP50	88	21	55	10
SXP70	173	55	80	10

◇ Note: Testing vacuum level -60kPa. Workpiece with smooth and clean surface. The data of pull-out force as above are figured out without considering safety factor. The data may be different according to different workpiece surfaces.

Dimensions (mm)

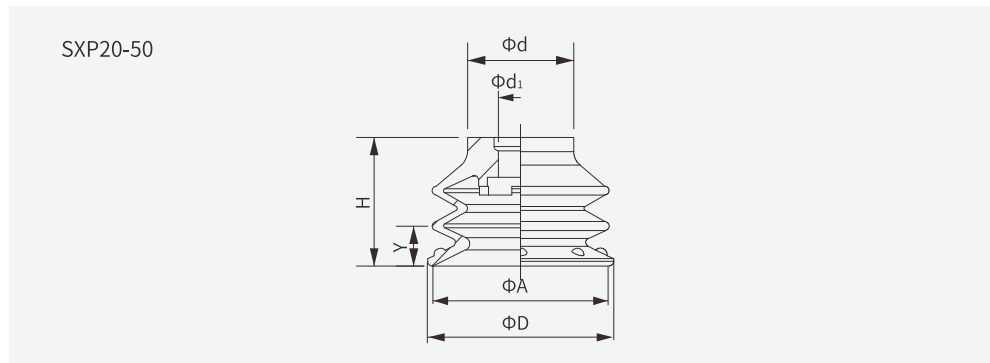


Model/ Size	D	H	G	h	L _G	Y	S
SXP20-G1F	21	14.8	G1/8	8	7	4.5	13
G1M				7.8	6		
SXP25-G1F	26	18.9	G1/8	8	7	7.3	13
G1M				7.8	6		
SXP30-G1F	30	21.3	G1/8	8	7	8	13
G1M				7.8	6		
SXP35-G1F	35	25.3	G1/8	10	7	9.8	17
G1M				12	6		
SXP40-G1F	40	28.4	G1/8	10	7	10.6	17
G1M				12	6		
SXP50-G2F	50	35.5	G1/4	13	10	13.4	24
G2M				17	9		
G3F			G3/8	13	10		
G3M				18	10		

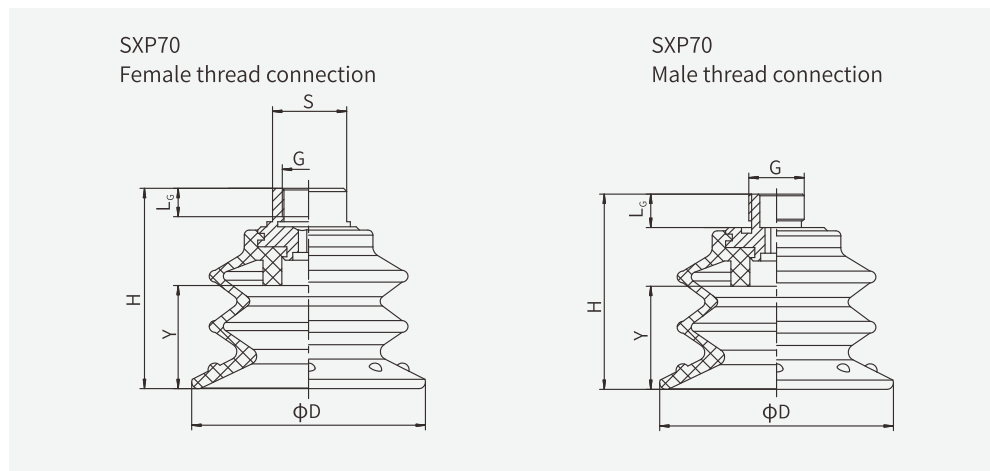
SXP Series

PU Bellows Suction Cup

Dimensions (mm)



Model/ Size	D	H	A	d	d ₁	Y
SXP20	21	14.8	20	12	5	4.5
SXP25	26	18.9	24.4	15.4	5	7.3
SXP30	30	21.3	28	16.5	5	8
SXP35	35	25.3	33	21	6.5	9.8
SXP40	40	28.4	37.5	22	6.5	10.6
SXP50	50	35.5	47	27.5	10.5	13.4



Model/ Size	D	H	G	h	L _G	Y	S
SXP70-G3F	70	60	G3/8	—	11.5	18.6	22
SXP70-G3M	70	58.5	G3/8	—	10	18.6	—

- SB
- SBA
- SBB
- SBF
- SBOF
- SFT
- STP
- SBL
- SBLP
- SF
- SU
- SUF
- SFG
- STC
- SFF
- SFM
- SDM
- SOB
- SOF
- SOG
- SFP
- SBP
- SXP**
- SGP
- SDL
- SH
- SHB
- SZ
- SAN
- SAO
- SPA
- SPC
- SPF
- SPJ
- SPU
- SNP
- SOP

Mounting parts

Item	Model		Applicable suction cup
	F - Female thread	M - Male thread	
Fitting for suction cup	PJS-G1F-SF1-EW	PJS-G1M-SF1-EW	SXP20, 25, 30
	PJS-G1F-SF2-EW	PJS-G1M-SF2-EW	SXP35, 40
	PJS-G2F-SF3-EW	PJS-G2M-SF3-EW	SXP50
	PJS-G3F-SF3-EW	PJS-G3M-SF3-EW	

◇Note: Please refer to suction cup with locking fitting and level compensator on page 24.