

SZ Series

Standard Suction Cup



SZU-Flat type SZC- Flat with ribs type SZB- Bellows type SZD- Deep type

Features

- ◇ Internal rib structure can effectively increases friction force between suction cup and workpiece.
- ◇ Flat structure is suitable for handling workpiece with even surface.
- ◇ 1.5 Bellows structure is suitable for handling workpiece with irregular shape.
- ◇ Deep structure is suitable for block shape and ball shape workpiece.
- ◇ Various materials are available. Conductive material can effectively prevent static damage to electronic products.
- ◇ Various sizes suitable for workpiece with different sizes.

Applications

- ◇ Cardboard box ◇ Small semiconductor profile
- ◇ Electronic products ◇ Food ◇ Spherical object

How to order

SZ B 10 N

① ② ③ ④

① Series	② Suction cup type	② Diameter	③ Material & Hardness
SZ	U - Flat	2 -φ2mm 16 -φ16mm	N - NBR 50 ★
	C - Flat with ribs	4 -φ4mm 20 -φ20mm	WS - White silicone 45 ★
	B - Bellows	6 -φ6mm 25 -φ25mm	CN - Conductive NBR 55
	D - Deep	8 -φ8mm 32 -φ32mm	CS - Conductive silicone 55
		10 -φ10mm 40 -φ40mm	F - Fluorine rubber 65
		13 -φ13mm 50 -φ50mm	E - EPDM 55

◇Note: "★" - common material, in stock. For other materials, please consult with AIRBEST.

◇Note: HP material suits suction cup SZU10-50, SZB10-50.

SZ Series

Standard Suction Cup

Selection

Diameter/ Suction cup type	U	C	B	D
2	●	-	-	-
4	●	-	-	-
6	●	-	●	-
8	●	-	●	-
10	●	●	●	●
13	●	●	●	-
16	●	●	●	●
20	●	●	●	-
25	●	●	●	●
32	●	●	●	-
40	●	●	●	●
50	●	●	●	-

◇Note: "●"- standard, in stock. "-"-unavailable.

Technical parameters

Diameter	Pull-out force (N)	Inner volume (cm ³)				Recommended hose dia.(mm)
		U	C	B	D	
2	0.15	<0.1	—	—	—	4
4	0.6	<0.1	—	—	—	4
6	1.2	<0.1	—	<0.1	—	4
8	2.2	<0.1	—	<0.1	—	4
10	3.5	0.15	0.15	0.3	0.3	6
13	6	0.2	0.2	0.9	—	6
16	9.6	0.3	0.3	1.3	0.6	6
20	15	0.6	0.6	2.2	—	6
25	24	0.9	0.9	3.3	1.5	6
32	38	1.6	1.6	7.2	—	6
40	60	3.5	3.5	15	9	6
50	92	6	6	25	—	6

◇Note: Testing vacuum level -60kPa.Workpiece with smooth and clean surface. The data of pull-out force as above are figured out without considering safety factor. The data may be different according to different workpiece surfaces.

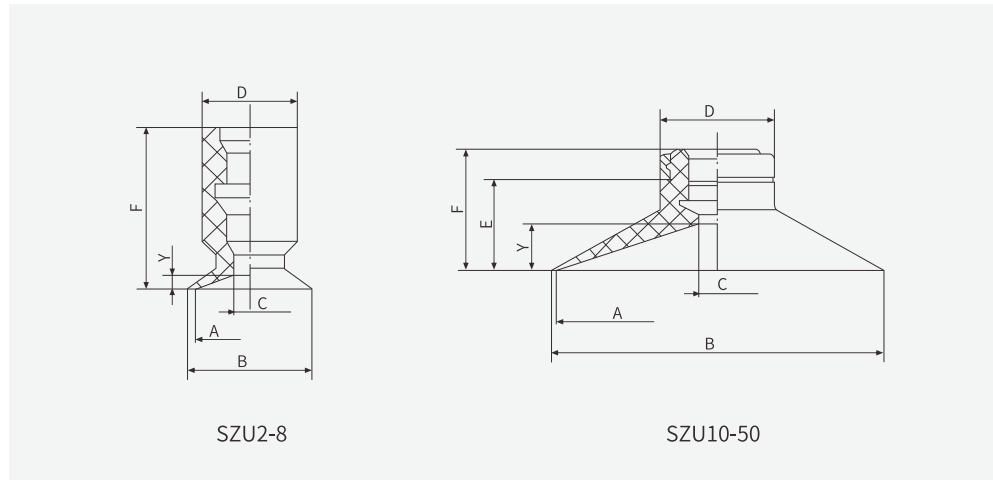
- SB
- SBA
- SBB
- SBF
- SBOF
- SFT
- STP
- SBL
- SBLP
- SF
- SU
- SUF
- SFG
- STC
- SFF
- SFM
- SDM
- SOB
- SOF
- SOG
- SFP
- SBP
- SXP
- SGP
- SDL
- SH
- SHB
- SZ**
- SAN
- SAO
- SPA
- SPC
- SPF
- SPJ
- SPU
- SNP
- SOP

SZ Series

Standard Suction Cup

Dimensions (mm)

U-Flat suction cup



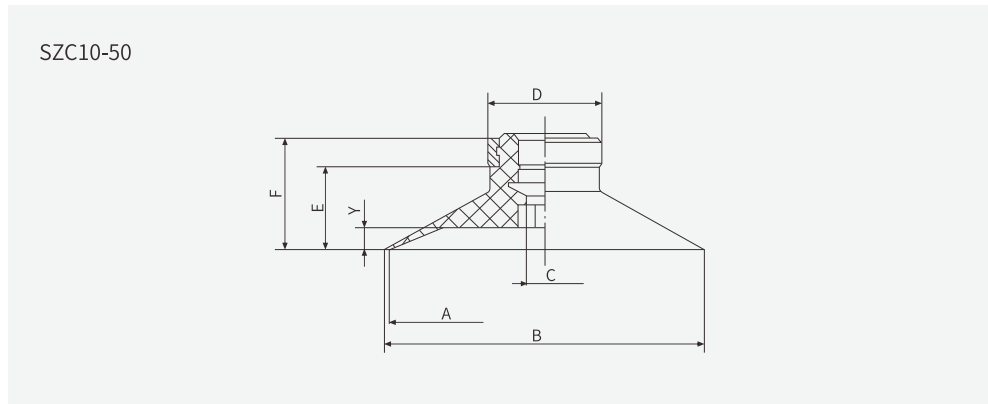
Model/Size	A	B	C	D	E	F	Y
SZU2	2	2.6	1.2	7	—	12	0.5
SZU4	4	4.8	1.6	7	—	12	0.8
SZU6	6	7	2.5	7	—	12	0.8
SZU8	8	9	2.5	7	—	12	1
SZU10	10	12	4	13	7.7	12	3
SZU13	13	15	4	13	7.7	12	3
SZU16	16	18	4	13	8.2	12.5	3.5
SZU20	20	23	4	15	9.5	14	4
SZU25	25	28	4	15	9.5	14	4
SZU32	32	35	4	15	10	14.5	4.5
SZU40	40	43	7	18	13.7	18.5	6.5
SZU50	50	53	7	18	14.7	19.5	7.5

SZ Series

Standard Suction Cup

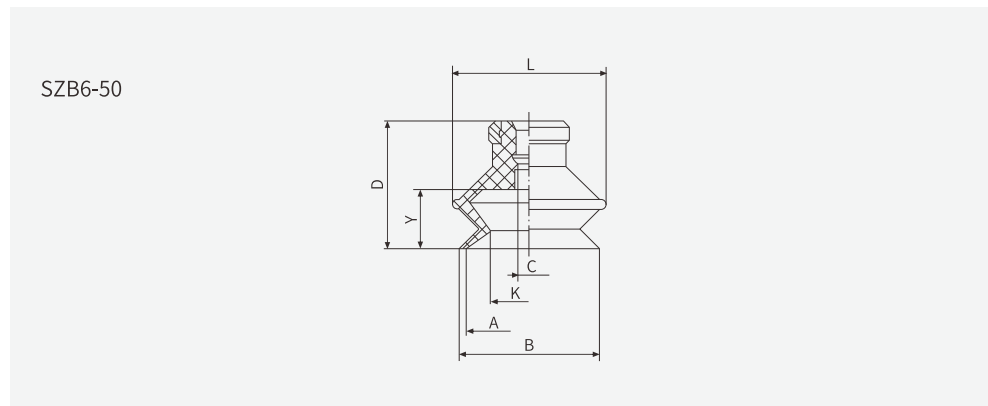
Dimensions (mm)

C-Flat with ribs
suction cup



Model/Size	A	B	C	D	E	F	Y
SZC10	10	12	4	13	7.7	12	1.7
SZC13	13	15	4	13	7.7	12	1.8
SZC16	16	18	4	13	8.2	12.5	1.2
SZC20	20	23	4	15	9.5	14	1.7
SZC25	25	28	4	15	9.5	14	1.8
SZC32	32	35	4	15	10	14.5	2.3
SZC40	40	43	7	18	13.7	18.5	3.3
SZC50	50	53	7	18	14.7	19.5	3.8

B-Bellows
suction cup



Model/Size	A	B	C	D	K	L	Y
SZB6	6	7	2.5	13	3.3	9.1	4
SZB8	8	9	2.5	13	4.7	10.1	4
SZB10	10	12	4	16	5.5	13.8	5.5
SZB13	13	15	4	18.5	8.7	19	7.5
SZB16	16	18	4	20	9.9	21	8.5
SZB20	20	22	4	23.5	12.4	25	10.5
SZB25	25	27	4	24	15.6	28	10.5
SZB32	32	34	4	29	18.9	37	14
SZB40	40	43	7	34	24.4	48	16
SZB50	50	53	7	38	32.4	57	19

- SB
- SBA
- SBB
- SBF
- SBOF
- SFT
- STP
- SBL
- SBLP
- SF
- SU
- SUF
- SFG
- STC
- SFF
- SFM
- SDM
- SOB
- SOF
- SOG
- SFP
- SBP
- SXP
- SGP
- SDL
- SH
- SHB
- SZ**
- SAN
- SAO
- SPA
- SPC
- SPF
- SPJ
- SPU
- SNP
- SOP

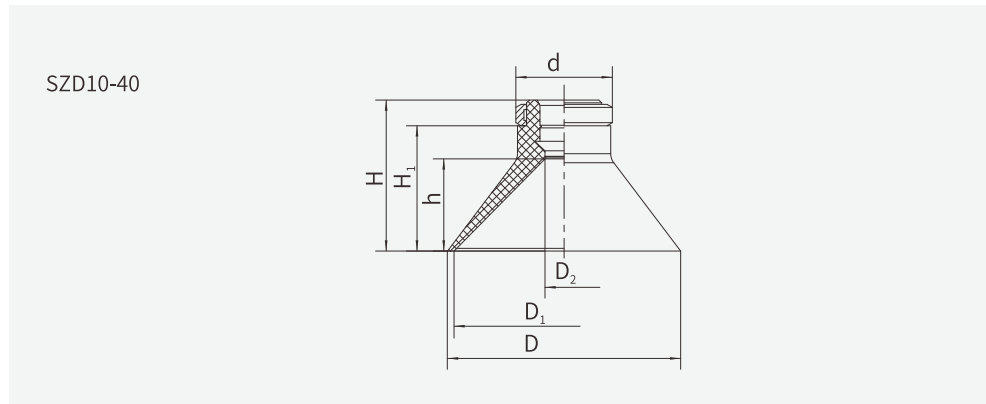
SZ Series

Standard Suction Cup



Dimensions (mm)

D-Deep suction cup



Model/ Size	D	D ₁	D ₂	d	H	H ₁	h
SZD10	12	10	4	13	15	10.7	6
SZD16	18	16	4	13	16	11.7	7
SZD25	28	25	4	15	20	15.5	10
SZD40	43.5	41	7	18	28	23.5	17