

SZ Series - Suction Cup With Level Compensator

Standard Suction Cup



How to order

SZU10N - E I 10 R A6 - M10

①

②

③

④

⑤

⑥

⑦

① Model	② Level compensator type	③ Buffer style	④ Buffer stroke	
Refer to suction cup on page 163-167	E -PSPE Series	I -Internal spring	6	20
			10	30
			15	40
			25	50

⑤ Rotary type	⑥ Vacuum port connection	⑦ Mounting thread
Nil - Vertical rotating	Nil - M5×0.8 Female thread	M8 - M8×1
R - Vertical non-rotating	A4 - One touch fitting φ4 hose	M10 - M10×1
L - Lateral rotating	A6 - One touch fitting φ6 hose	M14 - M14×1
B - Lateral non-rotating	B4 - Pagoda fitting φ4 hose	
	B6 - Pagoda fitting φ6 hose	

Selection

Diameter	Buffer stroke	Rotary type				Vacuum port connection					Mounting thread
		Nil	R	L	B	Nil	A4	A6	B4	B6	
2 - 8	6, 10, 15, 25	●	●	●	●	●	●	●	●	—	M8
10 - 32	10, 20, 30, 40, 50	●	●	●	●	●	●	●	—	●	M10
40 - 50	10, 20, 30, 50	●	—	●	—	●	—	●	—	—	M14

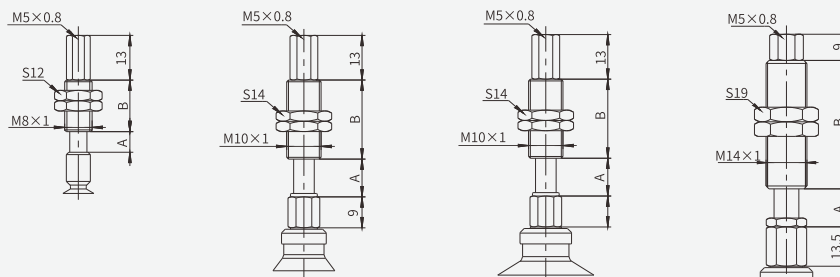
◇Note: "●"- standard, in stock. "—" -unavailable.

SZ Series - Suction Cup With Level Compensator

Standard Suction Cup

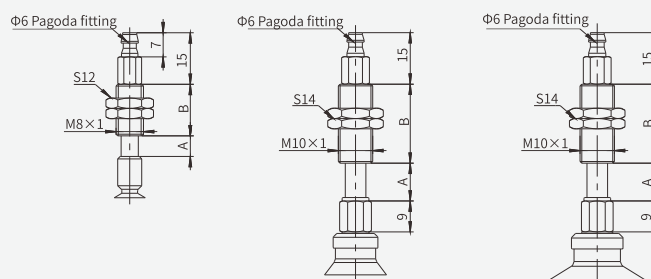
Dimensions (mm)

Vertical direction connection - Female thread



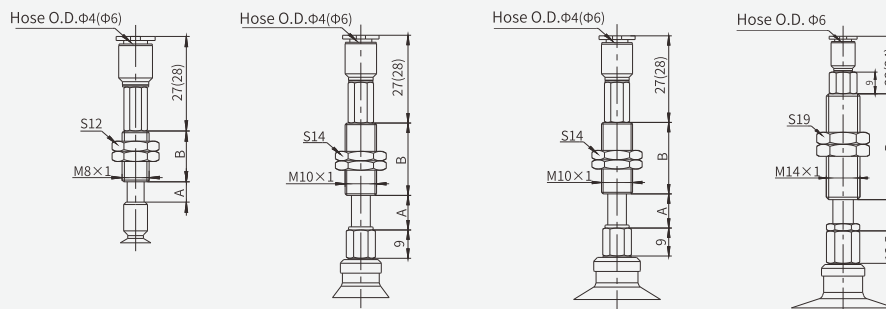
Suction cup diameter 2-8 Suction cup diameter 10-16 Suction cup diameter 20-32 Suction cup diameter 40-50

Vertical direction connection - Pagoda fitting



Suction cup diameter 2-8 Suction cup diameter 10-16 Suction cup diameter 20-32

Vertical direction connection - One touch fitting



Suction cup diameter 2-8 Suction cup diameter 10-16 Suction cup diameter 20-32 Suction cup diameter 40-50

Suction cup diameter	A	B	Buffer stroke	F1(N)	F2(N)
2 - 8	6	15	6	0.8	1.2
	11	43	10		
	16	43	15		
	26	43	25		
10 - 32	11.5	23	10	1.0	3.0
	21.5	51	20		
	31.5	51	30		
	41.5	77	40		
	51.5	77	50		
40 - 50	13	44	10	2.0	5.5
	23	44	20		
	33	44	30		
	53	75	50		

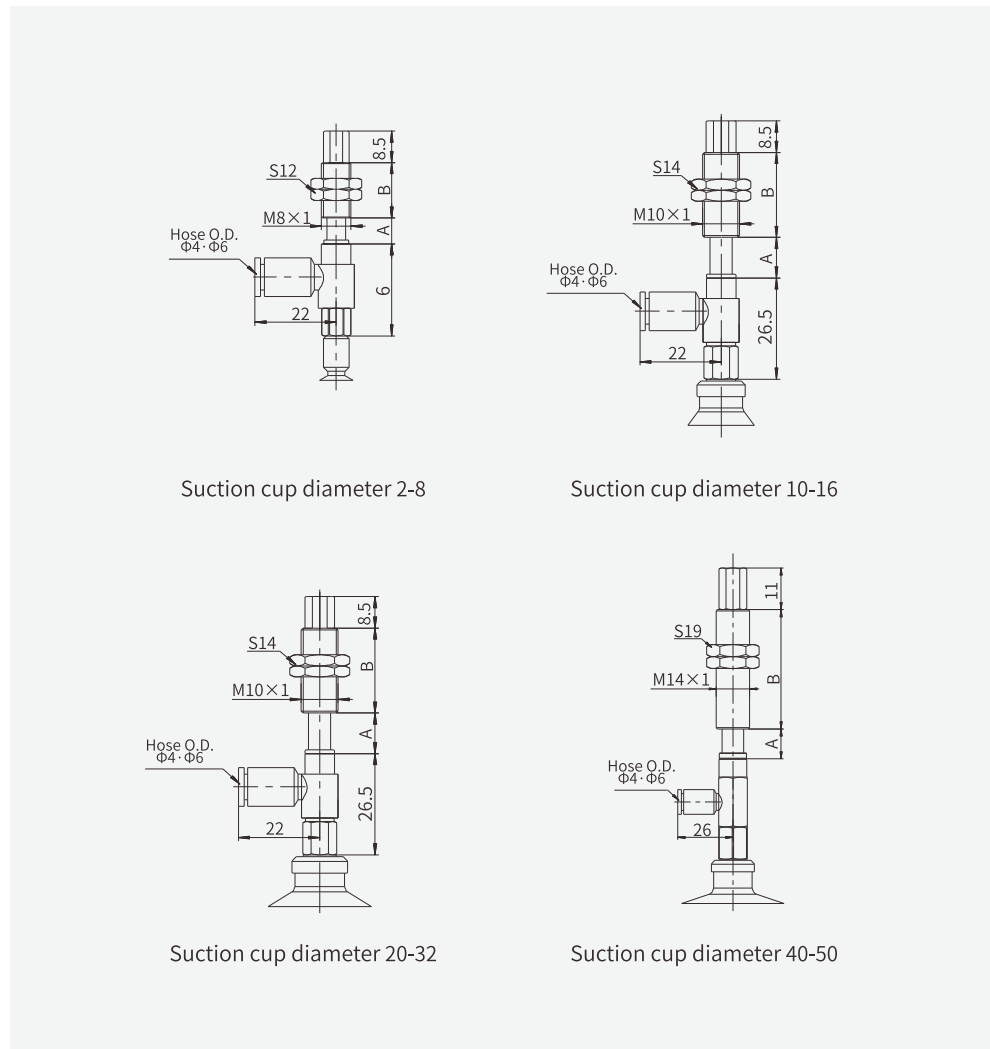
◇Note: "F1" means spring force at 0 stroke, "F2" means spring force at max stroke.

- SB
- SBA
- SBB
- SBF
- SBOF
- SFT
- STP
- SBL
- SBLP
- SF
- SU
- SUF
- SFG
- STC
- SFF
- SFM
- SDM
- SOB
- SOF
- SOG
- SFP
- SBP
- SXP
- SGP
- SDL
- SH
- SHB
- SZ**
- SAN
- SAO
- SPA
- SPC
- SPF
- SPJ
- SPU
- SNP
- SOP

SZ Series-Suction Cup With Level Compensator

Standard Suction Cup

Dimensions (mm)



Suction cup diameter	A	B	Buffer stroke	F1(N)	F2(N)
2-8	8	15	6	0.8	1.2
	11	43	10		
	16	43	15		
	26	43	25		
10-32	11	23	10	1.0	3.0
	21	51	20		
	31	51	30		
	41	77	40		
	51	77	50		
40-50	13	44	10	2.0	5.5
	23	44	20		
	33	44	30		
	53	75	50		

◇Note: "F1" means spring force at 0 stroke,"F2" means spring force at max stroke.