

XSTR - - .6200

**IX|tra-Strong
Schwerlast-Tigerrolle
Axialrolle mit 35 %
höherer Tragfähigkeit.**

- IX|tra tragfähig
- IX|tra genau
- IX|tra stark
- IX|tra langlebig

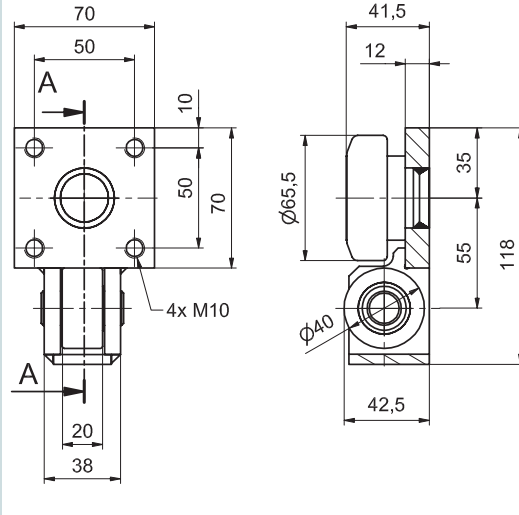
**IX|tra-Strong
Heavy duty Tiger
bearing axial bearing
with 35 % higher load
capacity.**

- IX|tra sustainable
- IX|tra exact
- IX|tra strong
- IX|tra long-lasting

**Sonderabmessungen
auf Anfrage.**

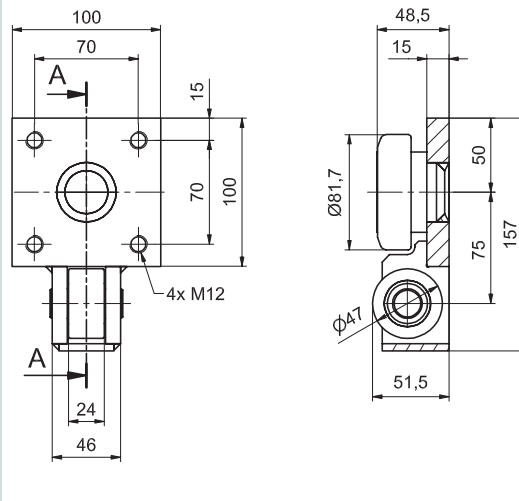
**Special dimensions on
request.**

Rolle / Roller
XSTR 060.6200



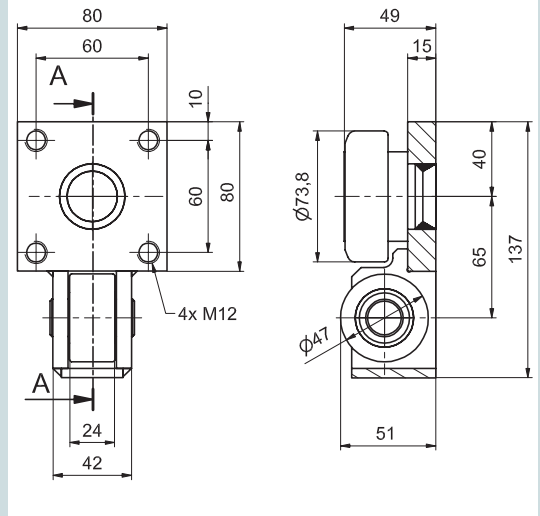
Traglast axial F_A = 9 kN
 Traglast radial F_R = 15,39 kN
 Load capacity axial F_A = 9 kN
 Load capacity radial F_R = 15,39 kN

Rolle / Roller
XSTR 080.6200



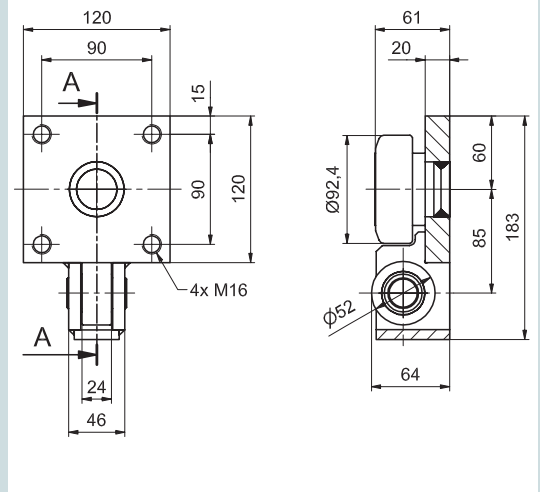
Traglast axial F_A = 14 kN
 Traglast radial F_R = 18,21 kN
 Load capacity axial F_A = 14 kN
 Load capacity radial F_R = 18,21 kN

Rolle / Roller
XSTR 070.6200



Traglast axial F_A = 14 kN
 Traglast radial F_R = 16,43 kN
 Load capacity axial F_A = 14 kN
 Load capacity radial F_R = 16,43 kN

Rolle / Roller
XSTR 090.6200



Traglast axial F_A = 17 kN
 Traglast radial F_R = 31,68 kN
 Load capacity axial F_A = 17 kN
 Load capacity radial F_R = 31,68 kN

IX|SCHWERLAST-TIGERROLLE / IX|HEAVY DUTY TIGER BEARING

