

TXM Series

Vacuum gripper-blower standard type



UNIVERSAL

Features

- ◇ The shell is made of high quality aluminum alloy
- ◇ Can connect with vacuum generator or blower
- ◇ Suction cup adsorption surface type and Sponge adsorption surface can be selected
- ◇ Built-in non-return valve can be selected

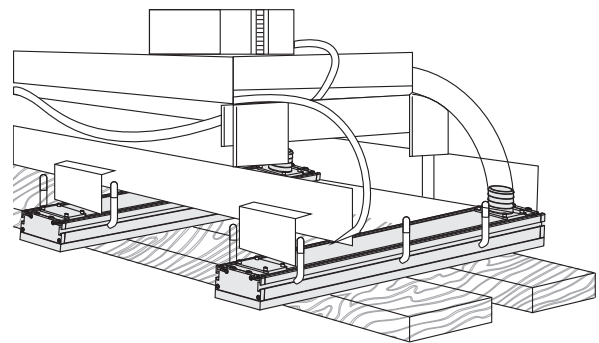
Advantages

- ◇ High strength and light weight
- ◇ Can select different vacuum source according to different working condition
- ◇ Suitable for different industry products handling
- ◇ It can meet the requirements of handling a variety of products



Applications

- ◇ Mainly used in the packaging industry, such as: intelligent warehousing, intelligent logistics, stacking and unstacking, unmanned sorting, etc
- ◇ This vacuum gripper with non-return valve can be used for adsorption of workpiece with leakage, different size and uncertain shaped workpieces
- ◇ Because of its light weight, it is very suitable for robots

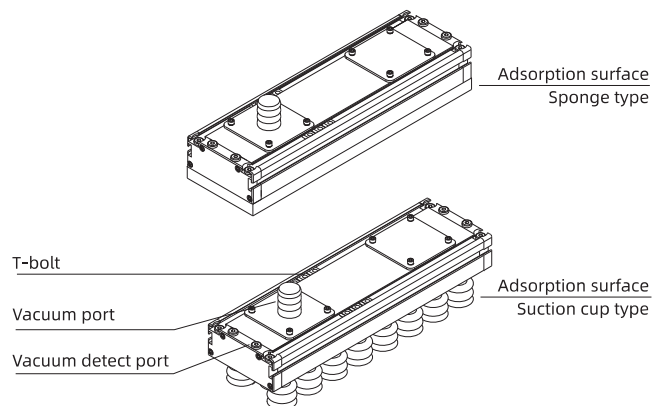


Vacuum gripper

TXM

Structure

- ◇ The main body is made of aluminum alloy, with T-shaped slots on the front and side respectively, which can be used for customers' installation or assembly of induction switch.
- ◇ It is equipped with standard T-bolt (M8 × 1.25-T5)
- ◇ The gripper has one vacuum port, can connect with steel hose, 8 vacuum detection ports
- ◇ Non-return valve is optional
- ◇ About sponge type, A1, A3, A5 sponge can be selected
- ◇ About suction cup type, B30, B40 can be selected



TXM Series

Vacuum gripper-blower standard type

How to order

TXM 130×400 - A3 - V

① ② ③ ④

| ① Series | ② Dimension | ③ Adsorption surface type | ④ Non-return valve |
|----------|-------------|--|--------------------------------|
| TXM | 130×400 | A1 - Single row sponge hole | Nil - Without non-return valve |
| | 130×600 | A3 - Three rows sponge hole | V - With non-return valve |
| | 130×800 | A5 - Five rows sponge hole | |
| | 130×1000 | B30 - Suction cup type(suction cup dia.30mm) | |
| | 130×1200 | B40 - Suction cup type(suction cup dia.40mm) | |
| | 130×1400 | | |

Selection-standard type

| Model/ Adsorption surface type | A1 - Single row hole sponge | A3 - Three row holes sponge | A5 - Five row holes sponge | B30 - Suction cup type | B40 - Suction cup type |
|-----------------------------------|--------------------------------|--------------------------------|-------------------------------|---------------------------|---------------------------|
| TXM130×400-□ | TXM130×400-A1 | TXM130×400-A3 | TXM130×400-A5 | TXM130×400-B30 | TXM130×400-B40 |
| TXM130×600-□ | TXM130×600-A1 | TXM130×600-A3 | TXM130×600-A5 | TXM130×600-B30 | TXM130×600-B40 |
| TXM130×800-□ | TXM130×800-A1 | TXM130×800-A3 | TXM130×800-A5 | TXM130×800-B30 | TXM130×800-B40 |
| TXM130×1000-□ | TXM130×1000-A1 | TXM130×1000-A3 | TXM130×1000-A5 | TXM130×1000-B30 | TXM130×1000-B40 |
| TXM130×1200-□ | TXM130×1200-A1 | TXM130×1200-A3 | TXM130×1200-A5 | TXM130×1200-B30 | TXM130×1200-B40 |
| TXM130×1400-□ | TXM130×1400-A1 | TXM130×1400-A3 | TXM130×1400-A5 | TXM130×1400-B30 | TXM130×1400-B40 |

Selection-with non-return valve

| Model/ Adsorption surface type | A1 - Single row hole sponge | A3 - Three row holes sponge | A5 - Five row holes sponge | B30 - Suction cup type | B40 - Suction cup type |
|-----------------------------------|--------------------------------|--------------------------------|-------------------------------|---------------------------|---------------------------|
| TXM130×400-□-V | TXM130×400-A1-V | TXM130×400-A3-V | TXM130×400-A5-V | TXM130×400-B30-V | TXM130×400-B40-V |
| TXM130×600-□-V | TXM130×600-A1-V | TXM130×600-A3-V | TXM130×600-A5-V | TXM130×600-B30-V | TXM130×600-B40-V |
| TXM130×800-□-V | TXM130×800-A1-V | TXM130×800-A3-V | TXM130×800-A5-V | TXM130×800-B30-V | TXM130×800-B40-V |
| TXM130×1000-□-V | TXM130×1000-A1-V | TXM130×1000-A3-V | TXM130×1000-A5-V | TXM130×1000-B30-V | TXM130×1000-B40-V |
| TXM130×1200-□-V | TXM130×1200-A1-V | TXM130×1200-A3-V | TXM130×1200-A5-V | TXM130×1200-B30-V | TXM130×1200-B40-V |
| TXM130×1400-□-V | TXM130×1400-A1-V | TXM130×1400-A3-V | TXM130×1400-A5-V | TXM130×1400-B30-V | TXM130×1400-B40-V |

Technical parameters

| Model | Max.theoretical suction force N (-30kPa) | Max.theoretical suction force N (-40kPa) | Max.theoretical suction force N (-50kPa) | Max.theoretical suction force N (-60kPa) | Weight kg V-with non- return valve | Hose inner dia. of blower mm | Suction hole number PCS |
|----------------|--|--|--|--|--|------------------------------------|-------------------------------|
| TXM130×400-A1 | 256 | 341 | 426 | 512 | 2.3 | φ32 | 13 |
| TXM130×600-A1 | 394 | 526 | 656 | 788 | 3.1 | φ32 | 20 |
| TXM130×800-A1 | 512 | 683 | 852 | 1,024 | 3.9 | φ60 | 26 |
| TXM130×1000-A1 | 650 | 867 | 1,082 | 1,301 | 4.6 | φ60 | 33 |
| TXM130×1200-A1 | 788 | 1,052 | 1,312 | 1,576 | 5.4 | φ60 | 40 |
| TXM130×1400-A1 | 906 | 1,209 | 1,508 | 1,812 | 6.6 | φ60 | 46 |

TXM Series

Vacuum gripper-blower standard type

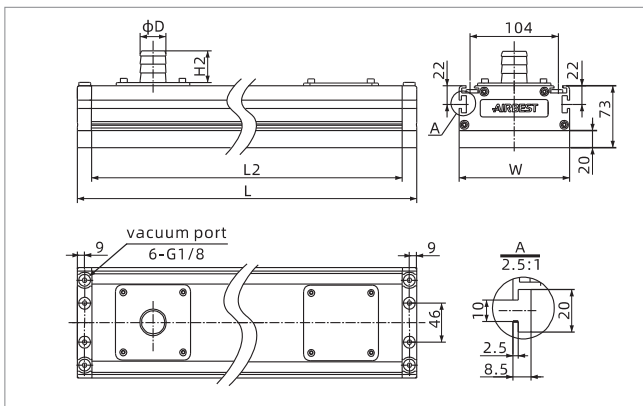
Technical parameters

| Model | Max.theoretical suction force N (-30kPa) | Max.theoretical suction force N (-40kPa) | Max.theoretical suction force N (-50kPa) | Max.theoretical suction force N (-60kPa) | Weight kg V-with non-return valve | Hose inner dia. of blower mm | Suction hole number PCS |
|-----------------|--|--|--|--|-----------------------------------|------------------------------|-------------------------|
| TXM130x400-A3 | 169 | 227 | 286 | 344 | 2.3 | φ32 | 65 |
| TXM130x600-A3 | 254 | 343 | 431 | 519 | 3.1 | φ32 | 98 |
| TXM130x800-A3 | 340 | 458 | 576 | 694 | 3.9 | φ60 | 131 |
| TXM130x1000-A3 | 426 | 574 | 721 | 869 | 4.6 | φ60 | 164 |
| TXM130x1200-A3 | 512 | 689 | 866 | 1,044 | 5.4 | φ60 | 197 |
| TXM130x1400-A3 | 598 | 805 | 1,012 | 1,219 | 6.6 | φ60 | 230 |
| TXM130x400-A5 | 110 | 143 | 182 | 214 | 2.3 | φ32 | 65 |
| TXM130x600-A5 | 166 | 215 | 274 | 323 | 3.1 | φ32 | 98 |
| TXM130x800-A5 | 221 | 286 | 364 | 429 | 3.9 | φ60 | 130 |
| TXM130x1000-A5 | 280 | 363 | 462 | 544 | 4.6 | φ60 | 165 |
| TXM130x1200-A5 | 343 | 444 | 565 | 666 | 5.4 | φ60 | 198 |
| TXM130x1400-A5 | 391 | 506 | 644 | 759 | 6.6 | φ60 | 230 |
| TXM130x400-B30 | 294 | 392 | 490 | 588 | 3.1 | φ32 | 28 |
| TXM130x600-B30 | 451 | 602 | 752 | 903 | 4.1 | φ32 | 43 |
| TXM130x800-B30 | 577 | 770 | 962 | 1,155 | 5.3 | φ60 | 55 |
| TXM130x1000-B30 | 735 | 980 | 1,225 | 1,470 | 6.2 | φ60 | 70 |
| TXM130x1200-B30 | 892 | 1,190 | 1,487 | 1,785 | 7.3 | φ60 | 85 |
| TXM130x1400-B30 | 1,029 | 1,372 | 1,715 | 2,058 | 8.8 | φ60 | 98 |
| TXM130x400-B40 | 432 | 575 | 722 | 867 | 3.3 | φ32 | 23 |
| TXM130x600-B40 | 658 | 875 | 1,099 | 1,319 | 4.6 | φ32 | 35 |
| TXM130x800-B40 | 883 | 1,175 | 1,475 | 1,771 | 6.0 | φ60 | 47 |
| TXM130x1000-B40 | 1,109 | 1,475 | 1,852 | 2,224 | 7.1 | φ60 | 59 |
| TXM130x1200-B40 | 1,334 | 1,775 | 2,229 | 2,676 | 8.5 | φ60 | 71 |
| TXM130x1400-B40 | 1,560 | 2,075 | 2,606 | 3,129 | 10.1 | φ60 | 83 |

Vacuum gripper

TXM

Dimensions(mm)



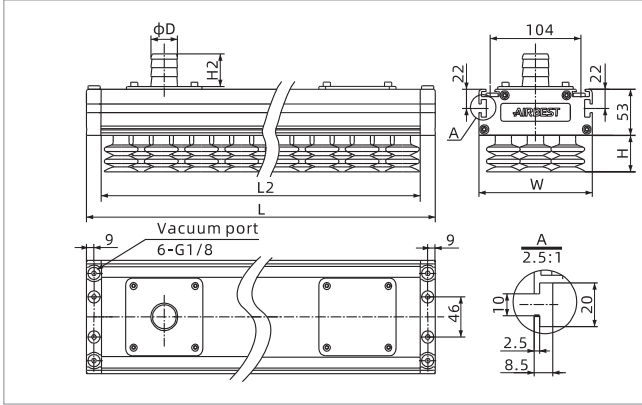
TXM130x400(600-1400)-A Sponge type

| Model/Size | L | L2 | W | D | H2 |
|---------------|-------|-------|-----|----|----|
| TXM130x400-A | 434 | 400 | 130 | 33 | 40 |
| TXM130x600-A | 634 | 600 | 130 | 33 | 40 |
| TXM130x800-A | 834 | 800 | 130 | 61 | 50 |
| TXM130x1000-A | 1,034 | 1,000 | 130 | 61 | 50 |
| TXM130x1200-A | 1,234 | 1,200 | 130 | 61 | 50 |
| TXM130x1400-A | 1,434 | 1,400 | 130 | 61 | 50 |

TXM Series

Vacuum gripper-blower standard type

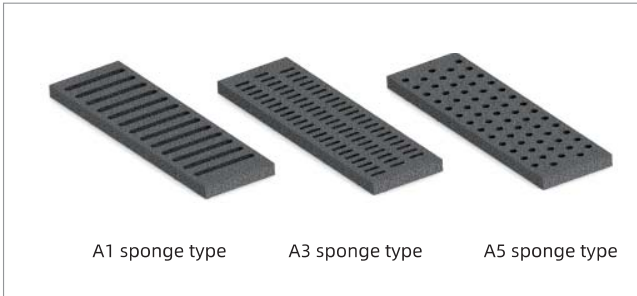
Dimensions(mm)



| Model/size | L | L2 | W | D | H2 | B30 | H B40 |
|---------------|-------|-------|-----|----|----|-----|-------|
| TXM130×400-B | 434 | 400 | 130 | 33 | 40 | 37 | 45 |
| TXM130×600-B | 634 | 600 | 130 | 33 | 40 | 37 | 45 |
| TXM130×800-B | 834 | 800 | 130 | 61 | 50 | 37 | 45 |
| TXM130×1000-B | 1,034 | 1,000 | 130 | 61 | 50 | 37 | 45 |
| TXM130×1200-B | 1,234 | 1,200 | 130 | 61 | 50 | 37 | 45 |
| TXM130×1400-B | 1,434 | 1,400 | 130 | 61 | 50 | 37 | 45 |

TXM130×400(600-1400)-B Suction cup type

Spare parts selection(mm)



Sponge type



Suction cup type

Spare parts selection

| Name | Model | Size mm |
|--------|----------------------------------|-------------|
| Sponge | TXC400-A1、TXC400-A3、TXC400-A5 | 434×130×20 |
| | TXC600-A1、TXC600-A3、TXC600-A5 | 634×130×20 |
| | TXC800-A1、TXC800-A3、TXC800-A5 | 834×130×20 |
| | TXC1000-A1、TXC1000-A3、TXC1000-A5 | 1034×130×20 |
| | TXC1200-A1、TXC1200-A3、TXC1200-A5 | 1234×130×20 |
| | TXC1400-A1、TXC1400-A3、TXC1400-A5 | 1434×130×20 |
| | Suction cup | SPC30S |
| SPC40S | | φ40 |

◇Note: sponge is a consumable in this product. Please replace it in time according to actual working conditions, otherwise, it will affect the adsorption.
Using temperature: - 10 ~ 60 °C, do not contact with strong acid, strong alkali and other corrosive gas or liquid, do not contact with sharp objects.