

Mounting kit | BGO

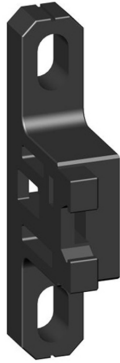


Image shows:  
9.9700.00.000

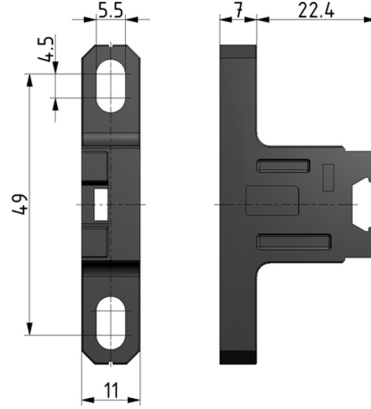


Image shows:  
9.9700.00.000

technical data

- **description:** fixing bracket
- **material:** PA 66
- **fixing:** mounting with 2 screws

accessories

type	part-number	description
ZW.00-1	9.9700.00.000	Mounting bracket (2x console with sliding wedge)

Service 3 unit

Service 2 unit

Filter regulator

Filter

Pressure regulator

Lubricator

System extensions

Accessories

Special products

## Bracket kit | BG1



Image shows:  
9.9711.00.001

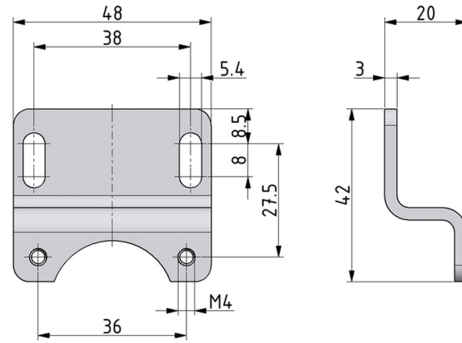


Image shows:  
9.9711.00.001

### technical data

- **description:** Mounting bracket
- **material:** steel galvanized
- **fixing:** mounting with 2 screws

### accessories

type	part-number	description
ZW.11-1	9.9711.00.001	Mounting bracket (ZW.11+2x screw M4x50 DIN912)

Service 3 unit

Service 2 unit

Filter regulator

Filter

Pressure regulator

Lubricator

System extensions

Accessories

Special products



## Bracket kit | BG2

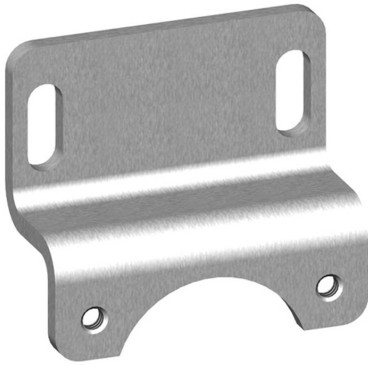


Image shows:  
9.9722.00.001

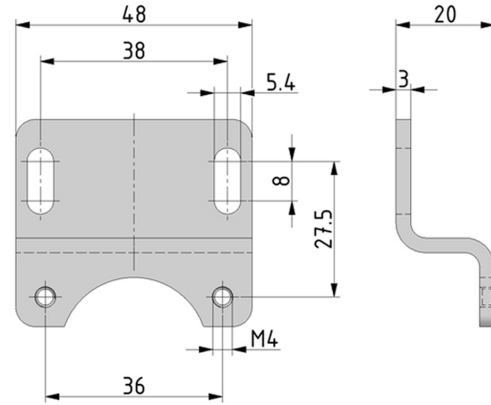


Image shows:  
9.9722.00.001

### technical data

- **description:** Mounting bracket
- **material:** steel galvanized
- **fixing:** mounting with 2 screws

### accessories

type	part-number	description	
ZW.22-1	9.9722.00.001	Mounting bracket (ZW.11+2x screw M4x60 DIN912) <b>discontinued december 2013</b>	4.74 €

Service 3 unit

Service 2 unit

Filter regulator

Filter

Pressure regulator

Lubricator

System extensions

Accessories

Special products

## Bracket kit | BG3

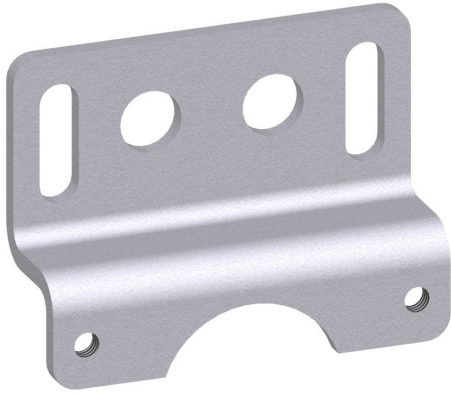


Image shows:  
9.9733.00.002

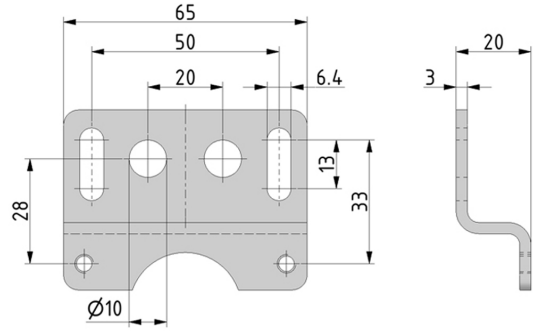


Image shows:  
9.9733.00.002

Service 3 unit

Service 2 unit

Filter regulator

Filter

Pressure regulator

Lubricator

System extensions

Accessories

Special products

### technical data

- **description:** Mounting bracket
- **material:** steel galvanized
- **fixing:** mounting with 2 screws

### accessories

type	part-number	description
ZW.33-1	9.9733.00.002	Mounting bracket (ZW.33+2x screw M5x75 DIN912)

## Bracket kit | BG5

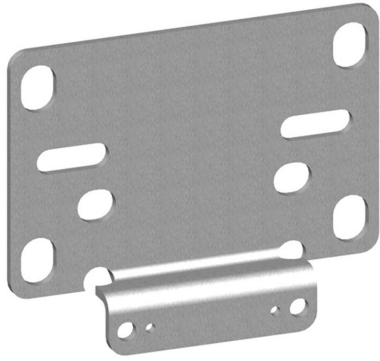


Image shows:  
9.9755.00.000

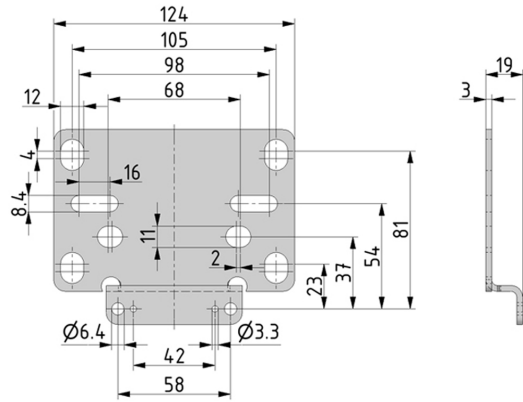


Image shows:  
9.9755.00.000

### technical data

- **description:** Mounting bracket
- **material:** steel galvanized
- **fixing:** mounting with 2 screws

### accessories

#### type

ZW.55

#### part-number

9.9755.00.000

#### description

Mounting bracket (ZW.55+2x screw M6x12 DIN912)

Service 3 unit

Service 2 unit

Filter regulator

Filter

Pressure regulator

Lubricator

System extensions

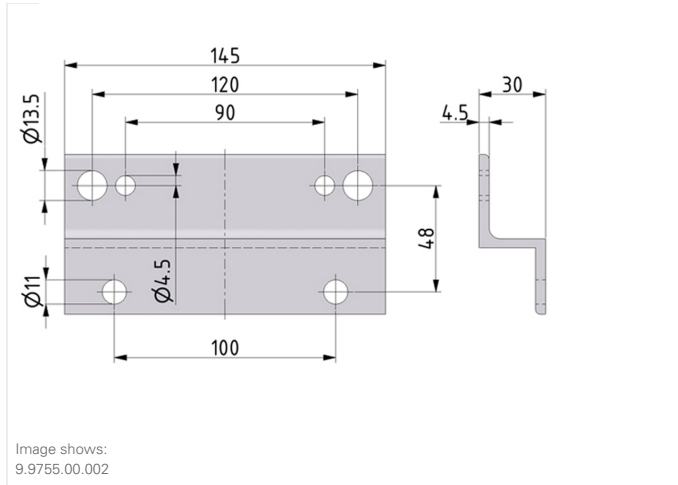
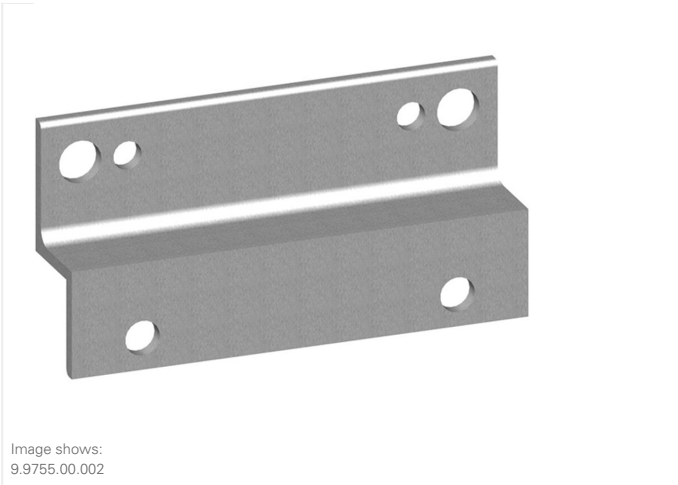
Accessories

Special products

## Bracket kit | ZFL.55

Service 3 unit

Service 2 unit



Filter regulator

Filter

### technical data

- **description:** Mounting bracket
- **material:** steel galvanized
- **fixing:** mounting with 2 screws

### accessories

Pressure regulator

Lubricator

System extensions

### type

ZFL.55-22

### part-number

9.9755.00.002

### description

Mounting bracket (ZFL.55-22+4x screw M10x25 DIN933+4x10 ISO7090)

Accessories

Special products

## Mounting bracket for panel mounting | BG0, BG1

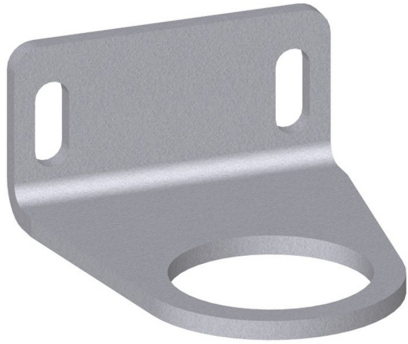


Image shows:  
9.9911.00.023

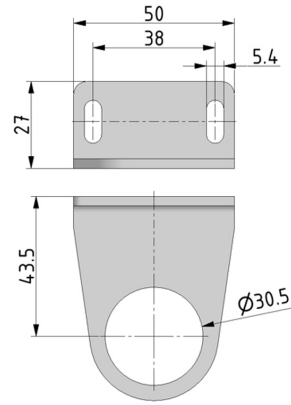


Image shows:  
9.9911.00.023

### technical data

- **description:** Mounting bracket for panel mounting
- **material:** steel galvanized
- **fixing:** control panel nut and 2 screws for fixation to wall

### accessories

type	part-number	description
MW.30/DR.00-34-2	9.9911.00.023	Bracket galvanized and nut M30x1,5

Service 3 unit

Service 2 unit

Filter regulator

Filter

Pressure regulator

Lubricator

System extensions

Accessories

Special products

## Mounting bracket for panel mounting | BG3

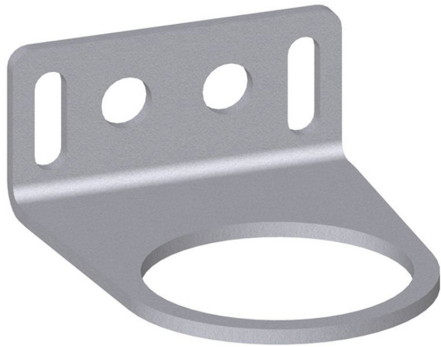


Image shows:  
9.9933.00.024

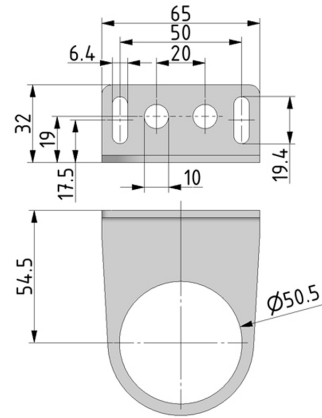


Image shows:  
9.9933.00.024

Service 3 unit

Service 2 unit

Filter regulator

Filter

Pressure regulator

Lubricator

System extensions

Accessories

Special products

### technical data

- **description:** Mounting bracket for panel mounting
- **material:** steel galvanized
- **fixing:** control panel nut and 2 screws for fixation to wall

### accessories

type	part-number	description
MW.50/C.33-42	9.9933.00.024	Bracket galvanized and nut M50x1.5



## Coupling kit | BG0

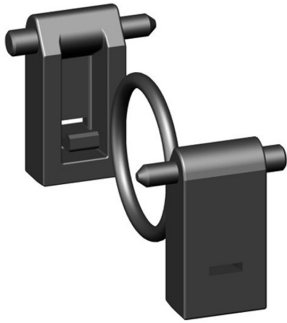


Image shows:  
9.9900.00.002

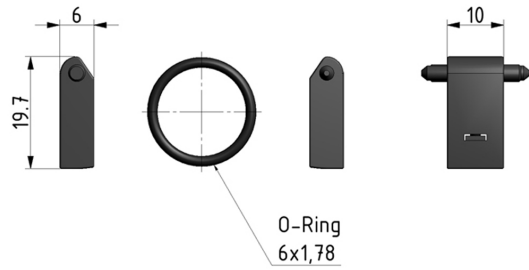


Image shows:  
9.9900.00.002

### technical data

- **description:** Coupling kit
- **fixing:** for components to be connected in Multi-Fix series 0
- **material clamp:** PA
- **material o-ring:** NBR

### accessories

type	part-number	description
KP.00	9.9900.00.002	Coupling kit BG0 (2x clamp C.00-47; 1x o-ring 15,6x1,78 C.11-92)

Service 3 unit

Service 2 unit

Filter regulator

Filter

Pressure regulator

Lubricator

System extensions

Accessories

Special products

## Coupling kit | BG1



Image shows:  
9.9911.00.000

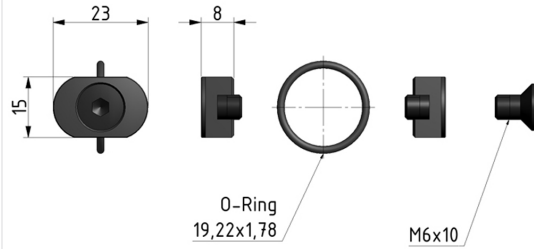


Image shows:  
9.9911.00.000

Service 3 unit

Service 2 unit

Filter regulator

Filter

Pressure regulator

Lubricator

System extensions

Accessories

Special products

### technical data

- **description:** Coupling kit
- **fixing:** for components to be connected in Multi-Fix series 1
- **material clamp:** Z 410
- **material screws:** steel
- **material o-ring:** NBR
- **except:** distribution manifold block (narrow) Z.11

### accessories

type	part-number	description
KP.11	9.9911.00.000	Coupling kit BG1



## Coupling kit | BG2

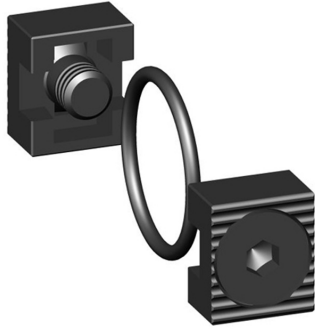


Image shows:  
9.9922.00.040

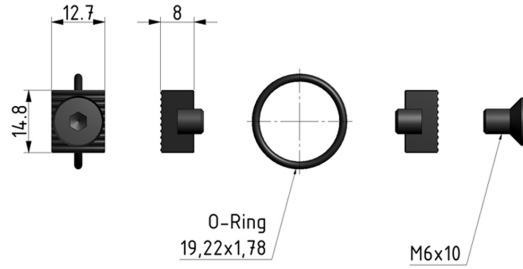


Image shows:  
9.9922.00.040

### technical data

- **description:** Coupling kit
- **fixing:** for components to be connected in Multi-Fix series 2
- **material clamp:** Z 410
- **material screws:** steel
- **material o-ring:** NBR

### accessories

type	part-number	description
KP.22	9.9922.00.040	Coupling kit BG2 (2x clamp BC.11-5; 2x screw C.11-46; 1x o-ring 19,22x1,78 C.11-53) <b>discontinued december 2013</b>

Service 3 unit

Service 2 unit

Filter regulator

Filter

Pressure regulator

Lubricator

System extensions

Accessories

Special products

## Coupling kit | BG3

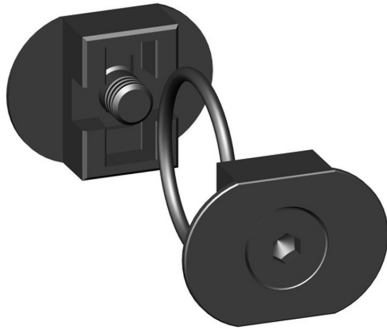


Image shows:  
9.9933.00.000

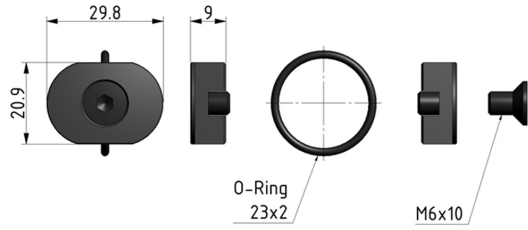


Image shows:  
9.9933.00.000

Service 3 unit

Service 2 unit

Filter regulator

Filter

Pressure regulator

Lubricator

System extensions

Accessories

Special products

### technical data

- **description:** Coupling kit
- **fixing:** for components to be connected in Multi-Fix series 3
- **material clamp:** Z 410
- **material screws:** steel
- **material o-ring:** NBR
- **except:** distribution manifold block (narrow) Z.33

### accessories

type	part-number	description
KP.33	9.9933.00.000	Coupling kit BG3 (2x clamp C.33-47; 2x screw C.11-46; 1x o-ring 23x2 C.33-53; 1x o-ring 29,87x1,78 K.33-3)

## Coupling kit | BG5

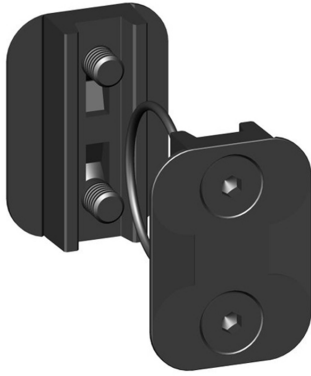


Image shows:  
9.9955.00.012

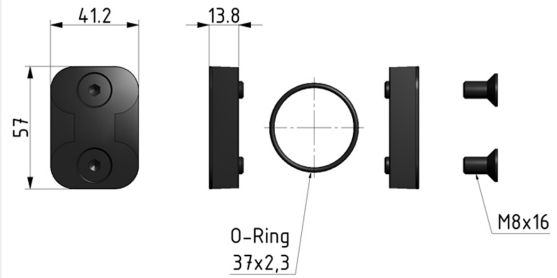


Image shows:  
9.9955.00.012

### technical data

- **description:** Coupling kit
- **fixing:** for components to be connected in Multi-Fix series 5
- **material clamp:** Z 410
- **material screws:** steel
- **material o-ring:** NBR
- **except:** distribution manifold block (narrow) Z.55, ball valve K.55

### accessories

type	part-number	description
KP.55	9.9955.00.012	Coupling kit BG5 (2x clamp C.55-47; 4x screw C.55-46; 1x o-ring 37x2,3 C.55-52)

Service 3 unit

Service 2 unit

Filter regulator

Filter

Pressure regulator

Lubricator

System extensions

Accessories

Special products

## Coupling kit | BG1

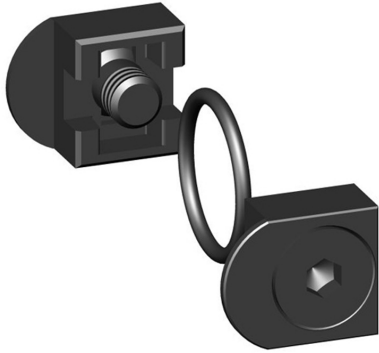


Image shows:  
9.9911.00.013

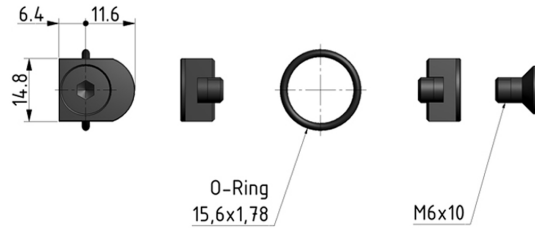


Image shows:  
9.9911.00.013

### technical data

- **description:** Coupling kit
- **fixing:** for distributor Z.11 to be connected with components of Multi-Fix series 1
- **material clamp:** Z 410
- **material screws:** steel
- **material o-ring:** NBR

### accessories

type	part-number	description
KP.11 Z	9.9911.00.013	Coupling kit for distributore BG1 (2x clamp C.11-59; 2x screw C.11-46; 1x o-ring 15,6x1,78 C.11-92)

Service 3 unit

Service 2 unit

Filter regulator

Filter

Pressure regulator

Lubricator

System extensions

Accessories

Special products



## Coupling kit | BG2

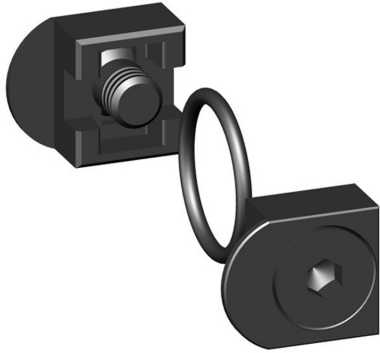


Image shows:  
9.9922.00.041

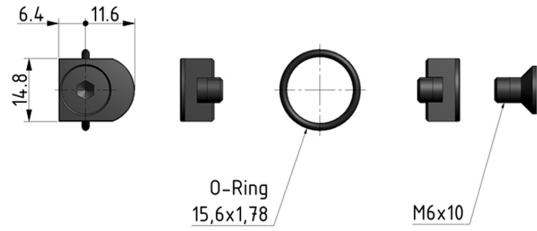


Image shows:  
9.9922.00.041

### technical data

- **description:** Coupling kit
- **material clamp:** Z 410
- **material screws:** steel
- **material o-ring:** NBR

### accessories

type	part-number	description
KP.22/12	9.9922.00.041	Coupling kit for BG2 against BG1 with port size G3/8 (2x clamp C.11-59; 2x screw C.11-46; 1x o-ring 19,22x1,78 C.11-53) <b>discontinued december 2013</b>

Service 3 unit

Service 2 unit

Filter regulator

Filter

Pressure regulator

Lubricator

System extensions

Accessories

Special products

## Coupling kit | BG3

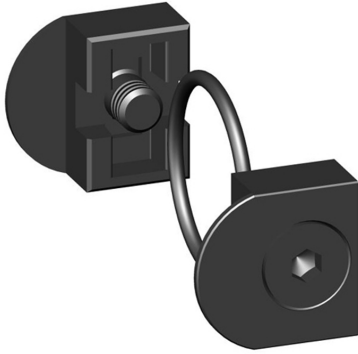


Image shows:  
9.9933.00.018

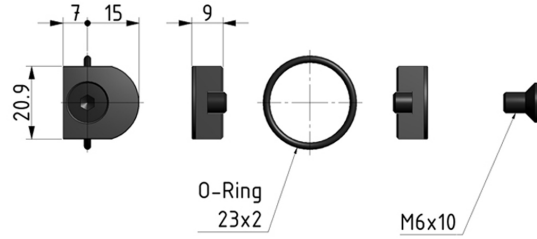


Image shows:  
9.9933.00.018

Service 3 unit

Service 2 unit

Filter regulator

Filter

Pressure regulator

Lubricator

System extensions

Accessories

Special products

### technical data

- **description:** Coupling kit
- **fixing:** for distributor Z.33 to be connected with components of Multi-Fix series 3
- **material clamp:** Z 410
- **material screws:** steel
- **material o-ring:** NBR

### accessories

type	part-number	description
KP.33 Z	9.9933.00.018	Coupling kit for distributore BG3 (2x clamp C.33-59; 2x screw C.11-46; 1x o-ring 23x2 C.33-53)



## Coupling kit | BG5



Image shows:  
9.9955.00.013

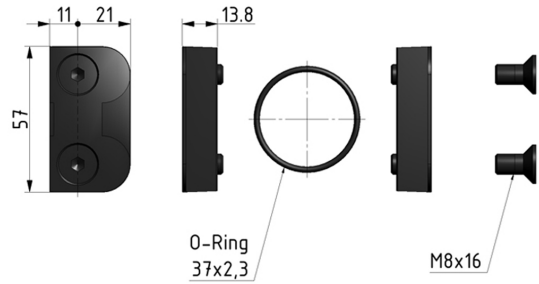


Image shows:  
9.9955.00.013

### technical data

- **description:** Coupling kit
- **fixing:** for distributor Z.55 or ball valve K.55 to be connected with components of Multi-Fix series 5
- **material clamp:** Z 410
- **material screws:** steel
- **material o-ring:** NBR

### accessories

type	part-number	description
KP.55 Z	9.9955.00.013	Coupling kit for distributore BG5 (2x clamp C.55-59; 4x screw C.55-46; 1x o-ring 37x2 DF.11-8)

Service 3 unit

Service 2 unit

Filter regulator

Filter

Pressure regulator

Lubricator

System extensions

Accessories

Special products

## Coupling kit | BG5

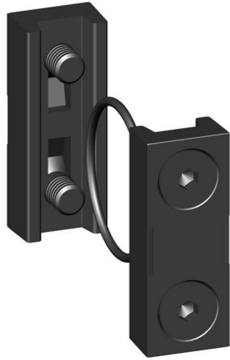


Image shows:  
9.9955.00.014

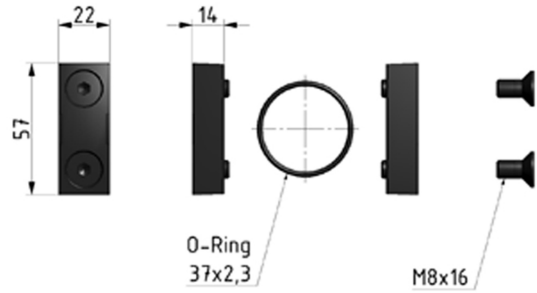


Image shows:  
9.9955.00.014

Service 3 unit

Service 2 unit

Filter regulator

Filter

Pressure regulator

Lubricator

System extensions

Accessories

Special products

### technical data

- **description:** Coupling kit
- **fixing:** for distributor Z.55 or ball valve K.55 to be connected with connection plate AP.55 of Multi-Fix series 5
- **material clamp:** Z 410
- **material screws:** steel
- **material o-ring:** NBR

### accessories

type	part-number	description
KP.55 2Z	9.9955.00.014	Coupling kit for distributore BG5 (double side) (2x clamp C.55-47; 4x screw C.55-46; 1x o-ring 37x2 DF.11-8)

## Gauge for setting knob integration | BG0



Image shows:  
9.3700.00.220

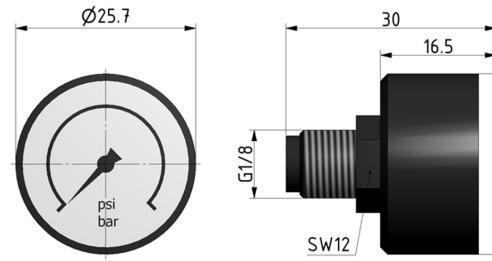


Image shows:  
9.3700.00.220

### technical data

- **description:** bourdon tube pressure gauge (EN 837-1), pressure connection on the back
- **temperature range:** 0 - 60°C
- **diameter:** Ø25
- **scale ranges (EN 837-1):** 0 - 10 bar
- **accuracy:** ±4 %
- **case:** black plastic
- **window:** snap fit window of clear plastic
- **working pressure, steady:** 0 - 7,5 bar
- **working pressure, fluctuating:** 0 - 6,5 bar
- **temperature effect:** when temperature of the pressure element deviates from reference temperature (+20°C): max. ±0,4%/10°C of the span

### accessories

type	part-number	description
G 25.6/10 R	9.3700.00.220	Gauge G1/8 dm 25mm
G 25.1,5/2,5 R	9.3700.00.221	Gauge G1/8 dm 25mm
G 25.2,5/4 R	9.3700.00.222	Gauge G1/8 dm 25mm
G 25.3/6 R	9.3700.00.224	Gauge G1/8 dm 25mm
G 25.10/16 R	9.3700.00.228	Gauge G1/8 dm 25mm

Service 3 unit

Service 2 unit

Filter regulator

Filter

Pressure regulator

Lubricator

System extensions

Accessories

Special products

## Gauge | BGO



Image shows:  
9.3700.00.012

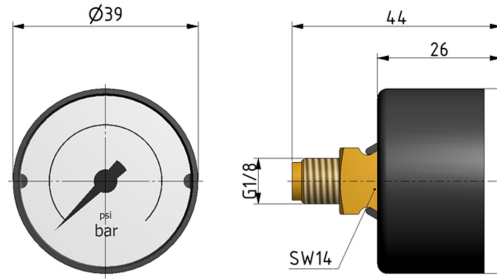


Image shows:  
9.3700.00.012

### technical data

- **description:** bourdon tube pressure gauge (EN 837-1), pressure connection on the back
- **temperature range:** 0 - 60°C
- **diameter:** ø40
- **scale ranges (EN 837-1):** 0 - 16 bar
- **accuracy class:** 2,5 (EN 837-1 /6)
- **case:** black plastic
- **window:** snap fit window of clear plastic
- **working pressure, steady:** 0 - 12 bar
- **working pressure, fluctuating:** 0 - 10,5 bar
- **temperature effect:** when temperature of the pressure element deviates from reference temperature (+20°C): max. ±0,4%/10°C of the span

### accessories

type	part-number	description
G 40.16 R	9.3700.00.012	Gauge G1/8 Knocks instrument dial light grey
G 40.10 R	9.3700.00.013	Gauge G1/8 Knocks instrument dial light grey
G 40.6 R	9.3700.00.014	Gauge G1/8 Knocks instrument dial light grey
G 40.4 R	9.3700.00.015	Gauge G1/8 Knocks instrument dial light grey

Service 3 unit

Service 2 unit

Filter regulator

Filter

Pressure regulator

Lubricator

System extensions

Accessories

Special products

## Gauge | BG1, BG2, BG3



Image shows:  
9.3700.00.110

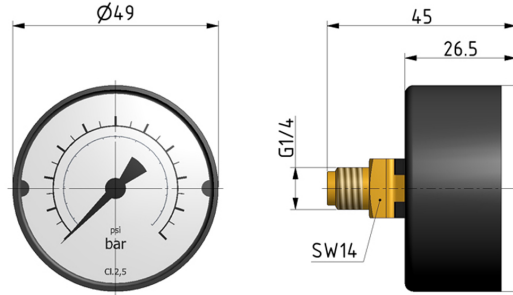


Image shows:  
9.3700.00.110

### technical data

- **description:** bourdon tube pressure gauge (EN 837-1), pressure connection on the back
- **temperature range:** 0 - 50°C
- **diameter:** Ø50
- **scale ranges (EN 837-1):** 0 - 16 bar
- **accuracy class:** 2,5 (EN 837-1 /6)
- **case:** black plastic
- **window:** snap fit window of clear plastic
- **working pressure, steady:** 0 - 12 bar
- **working pressure, fluctuating:** 0 - 10,5 bar
- **temperature effect:** when temperature of the pressure element deviates from reference temperature (+20°C): max. ±0,4%/10°C of the span

### accessories

type	part-number	description
G 50.16 R	9.3700.00.110	Gauge G1/4 Knocks instrument dial light grey
G 50.10 R	9.3700.00.111	Gauge G1/4 Knocks instrument dial light grey
G 50.6 R	9.3700.00.112	Gauge G1/4 Knocks instrument dial light grey
G 50.25 R	9.3700.00.113	Gauge G1/4 Knocks instrument dial light grey
G 50.2,5 R	9.3700.00.114	Gauge G1/4 Knocks instrument dial light grey
G 50.4 R	9.3700.00.116	Gauge G1/4 Knocks instrument dial light grey

Service 3 unit

Service 2 unit

Filter regulator

Filter

Pressure regulator

Lubricator

System extensions

Accessories

Special products

## Gauge | BG5



Image shows:  
9.3700.00.243

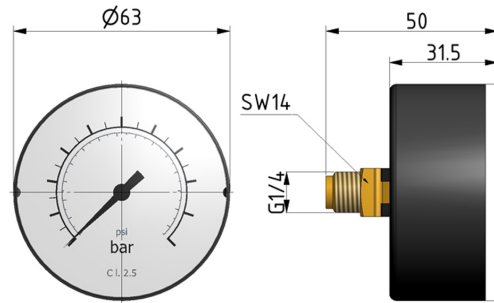


Image shows:  
9.3700.00.243

### technical data

- **description:** bourdon tube pressure gauge (EN 837-1), pressure connection on the back
- **temperature range:** 0 - 50°C
- **diameter:** Ø63
- **scale ranges (EN 837-1):** 0 - 16 bar
- **accuracy class:** 2,5 (EN 837-1 /6)
- **case:** black plastic
- **window:** snap fit window of clear plastic
- **working pressure, steady:** 0 - 12 bar
- **working pressure, fluctuating:** 0 - 10,5 bar
- **temperature effect:** when temperature of the pressure element deviates from reference temperature (+20°C): max. ±0,4%/10°C of the span

### accessories

type	part-number	description
G 63.16 R	9.3700.00.243	Gauge G1/4 Knocks instrument dial light grey
G 63.25 R	9.3700.00.244	Gauge G1/4 Knocks instrument dial light grey
G 63.6 R	9.3700.00.245	Gauge G1/4 Knocks instrument dial light grey
G 63.10 R	9.3700.00.246	Gauge G1/4 Knocks instrument dial light grey

Service 3 unit

Service 2 unit

Filter regulator

Filter

Pressure regulator

Lubricator

System extensions

Accessories

Special products

# Bowl | BGO



Image shows:  
9.9900.00.038

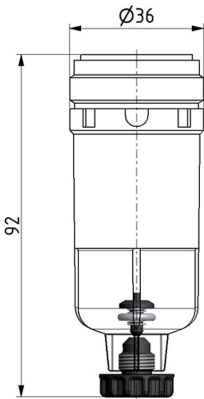


Image shows:  
9.9900.00.038

### technical data

- supply pressure P1 min.: 1,5 bar
- supply pressure P1 max.: 12 bar
- temperature range: 0 - 50°C
- bowl: PC
- drain: HA
- fixing: screw thread

### accessories

type	part-number	description
C.00 HA4	9.9900.00.038	PC bowl with semi automatic drain and o-ring 30x2

## Bowl | BGO



Image shows:  
8.2100.96.001.2

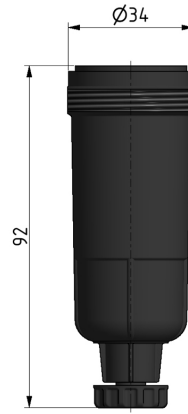


Image shows:  
8.2100.96.001.2

Service 3 unit

Service 2 unit

Filter regulator

Filter

Pressure regulator

Lubricator

System extensions

Accessories

Special products

### technical data

- supply pressure P1 min.: 1,5 bar
- supply pressure P1 max.: 12 bar
- temperature range: 0 - 50°C
- bowl: metal bowl
- drain: HA
- fixing: screw thread

### accessories

type	part-number	description
C.00 M HA4	8.2100.96.001.2	Metal bowl with semi automatic drain and o-ring 30x2



## Bowl | BGO



Image shows:  
9.9900.00.019

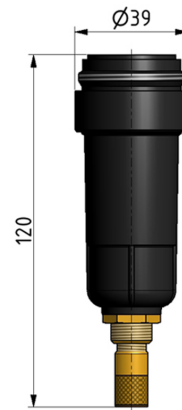


Image shows:  
9.9900.00.019

### technical data

- supply pressure P1 min.: 1,5 bar
- supply pressure P1 max.: 12 bar
- temperature range: 0 - 50°C
- bowl: metal bowl
- drain: AM NO
- fixing: screw thread

### accessories

type	part-number	description
C.00 M AM10	9.9900.00.019	Metal bowl with automatic drain and o-ring 30x2
C.00 M AM10/NC	9.9900.00.052	Metal bowl with automatic drain (usually closed) and o-ring 30x2

Service 3 unit

Service 2 unit

Filter regulator

Filter

Pressure regulator

Lubricator

System extensions

Accessories

Special products

## Bowl | BG0, BG1

Service 3 unit

Service 2 unit

Filter regulator

Filter

Pressure regulator

Lubricator

System extensions

Accessories

Special products



Image shows:  
8.2111.84.002

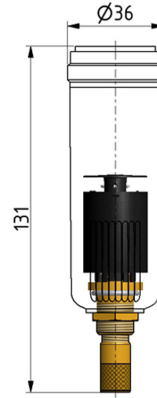


Image shows:  
8.2111.84.002

### technical data

- supply pressure P1 min.: 1,5 bar
- supply pressure P1 max.: 12 bar
- temperature range: 0 - 50°C
- bowl: PC
- drain: AM NO
- fixing: screw thread

### accessories

type	part-number	description
C.11 AM10	8.2111.84.002	PC bowl with automatic drain and o-ring 30x2
C.11 AM10/NC	9.9911.00.030	PC bowl with automatic drain (usually closed) and o-ring 30x2

# Bowl | BG1



Image shows:  
8.2111.84.000/V

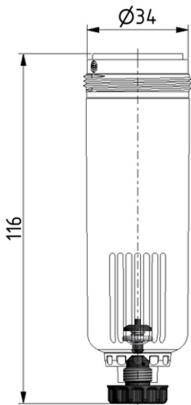


Image shows:  
8.2111.84.000/V

### technical data

- supply pressure P1 min.: 1,5 bar
- supply pressure P1 max.: 16 bar
- temperature range: 0 - 60°C
- bowl: PC
- drain: HA
- fixing: screw thread

### accessories

type	part-number	description
C.11 HA4	8.2111.84.000/V	PC bowl with semi automatic drain and o-ring 30x2

- Service 3 unit
- Service 2 unit
- Filter regulator
- Filter
- Pressure regulator
- Lubricator
- System extensions
- Accessories
- Special products

## Bowl | BG1



Image shows:  
8.2111.90.002



Image shows:  
8.2111.90.002

Service 3 unit

Service 2 unit

Filter regulator

Filter

Pressure regulator

Lubricator

System extensions

Accessories

Special products

### technical data

- supply pressure P1 min.: 1,5 bar
- supply pressure P1 max.: 16 bar
- temperature range: 0 - 60°C
- bowl: metal bowl with level indicator
- drain: AM NO
- fixing: screw thread

### accessories

type	part-number	description
C.11 H AM10	8.2111.90.002	Bowl metal/visual display with automatic drain and o-ring 30x2
C.11 H AM10/NC	8.2111.90.003	Bowl metal/visual display with automatic drain (usually closed) and o-ring 30x2

# Bowl | BG1



Image shows:  
8.2111.99.000



Image shows:  
8.2111.99.000

### technical data

- supply pressure P1 min.: 1,5 bar
- supply pressure P1 max.: 16 bar
- temperature range: 0 - 60°C
- bowl: metal bowl
- drain: HA3
- fixing: bayonet catch

### accessories

type	part-number	description
C.11 M HA3	8.2111.99.000	Metal bowl with semi automatic drain and o-ring 30x2

## Bowl | BG1



Image shows:  
8.2111.90.001

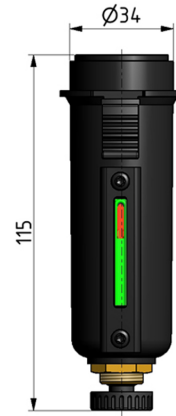


Image shows:  
8.2111.90.001

Service 3 unit

Service 2 unit

Filter regulator

Filter

Pressure regulator

Lubricator

System extensions

Accessories

Special products

### technical data

- supply pressure P1 min.: 1,5 bar
- supply pressure P1 max.: 16 bar
- temperature range: 0 - 60°C
- bowl: metal bowl with level indicator
- drain: HA3
- fixing: bayonet catch

### accessories

type	part-number	description
C.11 H HA3	8.2111.90.001	Bowl metal/visual display with semi automatic drain and o-ring 30x2



## Bowl | BG2



Image shows:  
8.2122.84.000

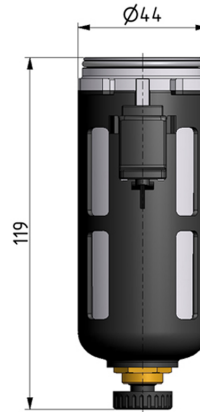


Image shows:  
8.2122.84.000

### technical data

- supply pressure P1 min.: 1,5 bar
- supply pressure P1 max.: 16 bar
- temperature range: 0 - 60°C
- bowl: PC with steel bowl guard
- drain: HA3
- fixing: bayonet catch

### accessories

type	part-number	description
C.22 HA3 B	8.2122.84.000	PC bowl with bowl guard, semi automatic drain and o-ring 37x2 <b>discontinued december 2013</b>

Service 3 unit

Service 2 unit

Filter regulator

Filter

Pressure regulator

Lubricator

System extensions

Accessories

Special products



## Bowl | BG2



Image shows:  
8.2122.84.002

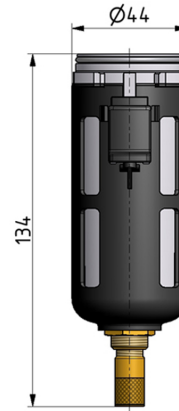


Image shows:  
8.2122.84.002

Service 3 unit

Service 2 unit

Filter regulator

Filter

Pressure regulator

Lubricator

System extensions

Accessories

Special products

### technical data

- supply pressure P1 min.: 1,5 bar
- supply pressure P1 max.: 16 bar
- temperature range: 0 - 60°C
- bowl: PC with steel bowl guard
- drain: AM NO
- fixing: bayonet catch

### accessories

type	part-number	description
C.22 AM10 B	8.2122.84.002	PC bowl with bowl guard, automatic drain and o-ring 37x2 discontinued december 2013



# Bowl | BG3



Image shows:  
8.2133.76.001

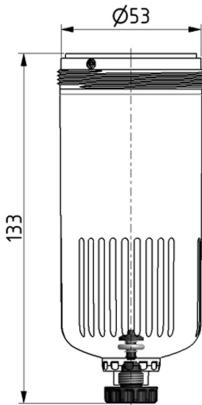


Image shows:  
8.2133.76.001

### technical data

- supply pressure P1 min.: 1,5 bar
- supply pressure P1 max.: 16 bar
- temperature range: 0 - 60°C
- bowl: PC
- drain: HA
- fixing: screw thread

### accessories

type	part-number	description
C.33 HA4	8.2133.76.001	PC bowl with semi automatic drain and o-ring 50x2

- Service 3 unit
- Service 2 unit
- Filter regulator
- Filter
- Pressure regulator
- Lubricator
- System extensions
- Accessories
- Special products

## Bowl | BG3



Image shows:  
8.2133.76.002/1

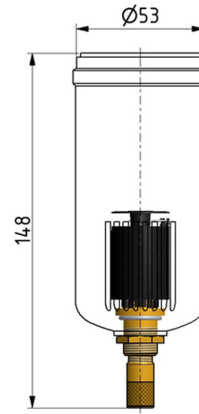


Image shows:  
8.2133.76.002/1

Service 3 unit

Service 2 unit

Filter regulator

Filter

Pressure regulator

Lubricator

System extensions

Accessories

Special products

### technical data

- supply pressure P1 min.: 1,5 bar
- supply pressure P1 max.: 16 bar
- temperature range: 0 - 60°C
- bowl: PC
- drain: AM NO
- fixing: screw thread

### accessories

type	part-number	description
C.33 AM10	8.2133.76.002/1	PC bowl with automatic drain and o-ring 50x2

# Bowl | BG3



Image shows:  
8.2133.90.002

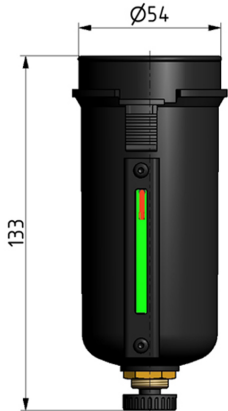


Image shows:  
8.2133.90.002

### technical data

- supply pressure P1 min.: 1,5 bar
- supply pressure P1 max.: 16 bar
- temperature range: 0 - 60°C
- bowl: metal bowl with level indicator
- drain: HA3
- fixing: bayonet catch

### accessories

type	part-number	description
C.33 H HA3	8.2133.90.002	Bowl metal/visual display with semi automatic drain and o-ring 50x2

## Bowl | BG3



Image shows:  
8.2133.90.001



Image shows:  
8.2133.90.001

Service 3 unit

Service 2 unit

Filter regulator

Filter

Pressure regulator

Lubricator

System extensions

Accessories

Special products

### technical data

- supply pressure P1 min.: 1,5 bar
- supply pressure P1 max.: 16 bar
- temperature range: 0 - 60°C
- bowl: metal bowl with level indicator
- drain: AM NO
- fixing: bayonet catch

### accessories

type	part-number	description
C.33 H AM10	8.2133.90.001	Bowl metal/visual display with automatic drain and o-ring 50x2

## Oil bowl | BGO



Image shows:  
9.9900.00.040

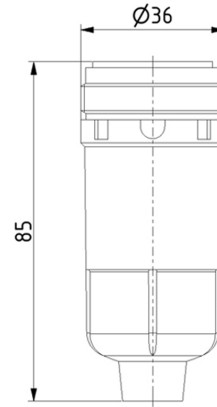


Image shows:  
9.9900.00.040

### technical data

- supply pressure P1 max.: 12 bar
- temperature range: 0 - 50°C
- bowl: PC
- fixing: screw thread

### accessories

type	part-number	description
L.00	9.9900.00.040	PC oil bowl with o-ring 30x2

Service 3 unit

Service 2 unit

Filter regulator

Filter

Pressure regulator

Lubricator

System extensions

Accessories

Special products

## Oil bowl | BGO



Image shows:  
9.9900.00.041



Image shows:  
9.9900.00.041

Service 3 unit

Service 2 unit

Filter regulator

Filter

Pressure regulator

Lubricator

System extensions

Accessories

Special products

### technical data

- supply pressure P1 max.: 12 bar
- temperature range: 0 - 50°C
- bowl: metal bowl
- fixing: screw thread

### accessories

type	part-number	description
L.00 M	9.9900.00.041	Metal oil bowl black with o-ring 30x2

## Oil bowl | BG1



Image shows:  
8.2511.09.000/V

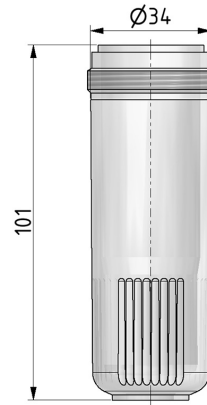


Image shows:  
8.2511.09.000/V

### technical data

- supply pressure P1 max.: 16 bar
- temperature range: 0 - 60°C
- bowl: PC
- fixing: screw thread

### accessories

type	part-number	description
L.11	8.2511.09.000/V	PC oil bowl with o-ring 30x2

Service 3 unit

Service 2 unit

Filter regulator

Filter

Pressure regulator

Lubricator

System extensions

Accessories

Special products

## Oil bowl | BG3



Image shows:  
8.2533.09.000

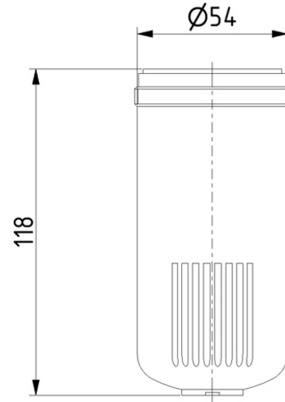


Image shows:  
8.2533.09.000

Service 3 unit

Service 2 unit

Filter regulator

Filter

Pressure regulator

Lubricator

System extensions

Accessories

Special products

### technical data

- supply pressure P1 max.: 16 bar
- temperature range: 0 - 60°C
- bowl: PC
- fixing: screw thread

### accessories

type	part-number	description
L.33	8.2533.09.000	PC oil bowl with o-ring 50x2



## Oil bowl | BG3



Image shows:  
8.2533.90.000

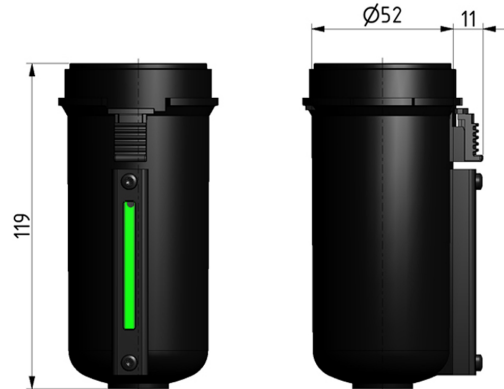


Image shows:  
8.2533.90.000

### technical data

- supply pressure P1 max.: 16 bar
- temperature range: 0 - 60°C
- bowl: metal bowl with level indicator
- fixing: bayonet catch

### accessories

type	part-number	description
L.33 H	8.2533.90.000	Oil bowl metal/visual display (black) with o-ring 50x2

Service 3 unit

Service 2 unit

Filter regulator

Filter

Pressure regulator

Lubricator

System extensions

Accessories

Special products

## Bowl guard | BGO



Image shows:  
9.9900.00.021

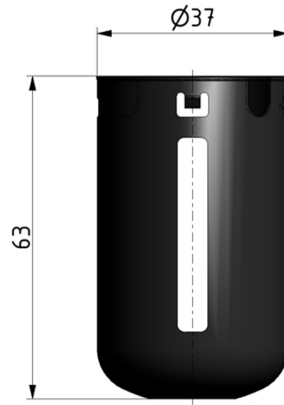


Image shows:  
9.9900.00.021

Service 3 unit

Service 2 unit

Filter regulator

Filter

Pressure regulator

Lubricator

System extensions

Accessories

Special products

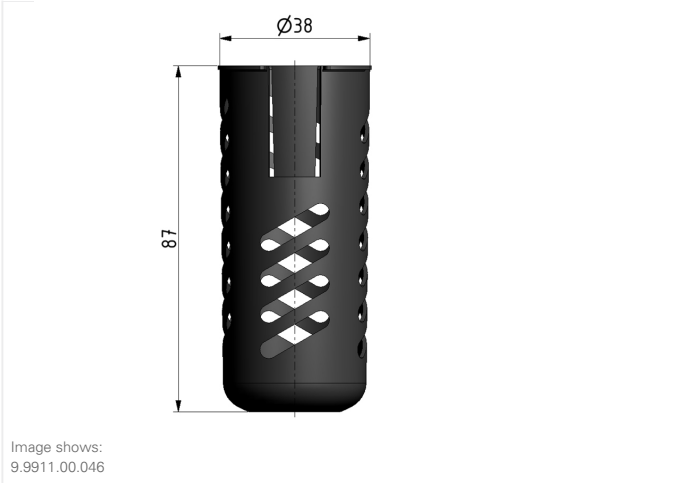
### technical data

- **material:** steel black electro coated
- **fixing:** bayonet catch

### accessories

type	part-number	description
BC.00-45	9.9900.00.021	Bowl guard

# Bowl guard | BG1



### technical data

- **material:** steel black electro coated
- **fixing:** bayonet catch

### accessories

type	part-number	description
C.11-45	9.9911.00.046	Bowl guard and foam ring

- Service 3 unit
- Service 2 unit
- Filter regulator
- Filter
- Pressure regulator
- Lubricator
- System extensions
- Accessories**
- Special products

## Bowl guard | BG3

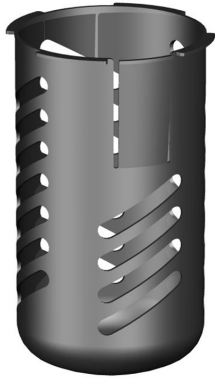


Image shows:  
9.9933.00.089

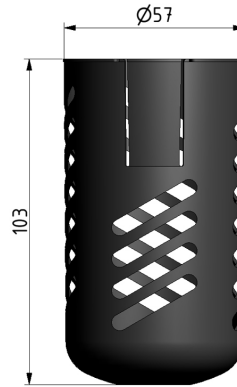


Image shows:  
9.9933.00.089

Service 3 unit

Service 2 unit

Filter regulator

Filter

Pressure regulator

Lubricator

System extensions

Accessories

Special products

### technical data

- **material:** steel black electro coated
- **fixing:** bayonet catch

### accessories

type	part-number	description
C.33-45	9.9933.00.089	Bowl guard and foam ring

## Differential pressure gauge | BG3, BG5

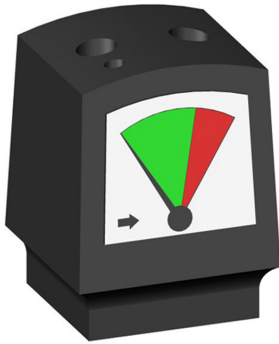


Image shows:  
9.3700.00.850

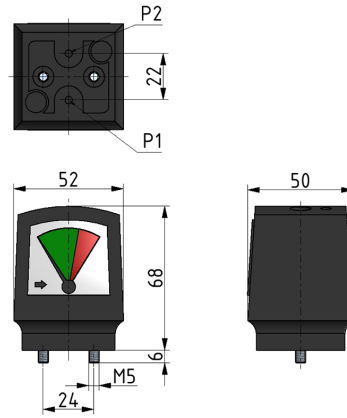


Image shows:  
9.3700.00.850

### technical data

- **description:** magnetic piston meter
- **temperature range:** 0 - 60°C
- **mounting:** vertical
- **case:** ULTRAMID plastic, black
- **scales:** white plastic, pressure = black, colour fields = green/red
- **scale range:** 0 - 0,5 bar
- **max. working pressure:** 16 bar

### accessories

type	part-number	description
DM 2	9.3700.00.850	Differential pressure gauge scale ranges: 0-0,5bar

Service 3 unit

Service 2 unit

Filter regulator

Filter

Pressure regulator

Lubricator

System extensions

Accessories

Special products

## Differential pressure gauge DM 2 D | BG3, BG5



Image shows:  
9.3700.00.851

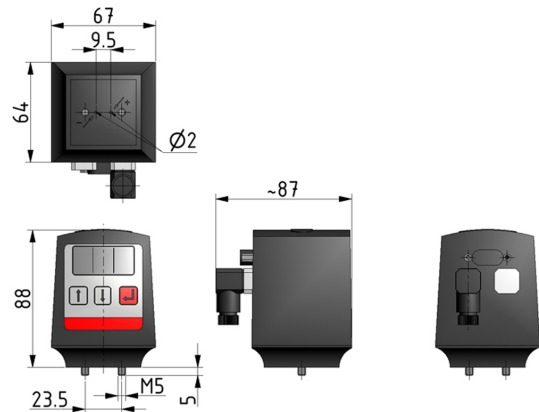


Image shows:  
9.3700.00.851

Service 3 unit

Service 2 unit

Filter regulator

Filter

Pressure regulator

Lubricator

System extensions

Accessories

Special products

### technical data

- **temperature range:** 0 - 60°C
- **mounting:** vertical
- **max. working pressure:** 16 bar
- **supply voltage:** 8 ... 15 V DC, 12 ... 24 V DC
- **average current drain:** circa 300 mA
- **connecting plug:** Hirschmann G30 W 3 F or rather 3,2 mm blade terminal
- **measuring zone:** 0,1 ... 1,0 bar, <0,1 bar display "Lo", >1 bar display "Hi"
- **calibration:** 0,35 bar
- **data logging:** all 0,1 second
- **update display:** all 5 second (averaging)
- **working range of pressure:** 2 - 16 bar
- **durability:** 1 .. 24 month - factory settings: 12 month
- **critical differential pressure:** 0,10 ... 1,00 bar - factory settings: 0,35 bar
- **pressure blow control:** on / off - factory settings: on
- **semantics:** bar / PSI - factory settings: bar
- **1. dry contact:** changeover contact (normally opened / closed), max. voltage: 220V DC / 250V AC, max. switching circuit: 1A, max. breaking capacity: 30W DC / 60VA AC, connecting plug: Hirschmann G 30W 3 F or rather 3,2 mm blade terminal
- **2. serial interface:** RS485 ASCII standard, connecting plug: 9- pin sub- D connector

### accessories

type	part-number	description
DM 2 D	9.3700.00.851	Differential pressure gauge with two colour LED display, freely adjustable switch contact and serial interface, supply unit voltage 24 V

## Pressure switch | BG1, BG3, BG5



Image shows:  
9.90XX.00.005

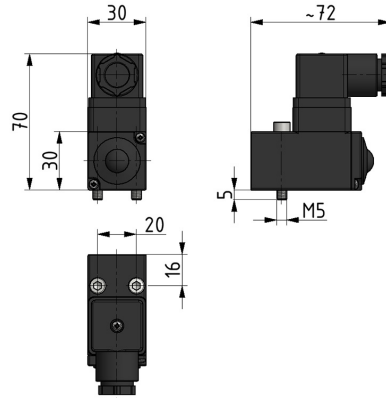


Image shows:  
9.90XX.00.005

### technical data

- **description:** diaphragm pressure switch
- **medium:** air, non corrosive gases fluids
- **temperature range:** -10°C - +80°C
- **protection class:** IP 65
- **electrical connection:** plug connection DIN 43650, form A
- **max. working pressure:** 0,5 - 10 bar (overpressure 80 bar)
- **switch difference:** 4% - 10%
- **switching element:** micro switch, one pole change
- **switch function at regulation value:** connect 1 - 3 contact normally closed; 1 - 2 contact normally open

### accessories

type	part-number	description
PE.10	9.90XX.00.005	Pressure switch flange connection, 0,5-10 bar

Service 3 unit

Service 2 unit

Filter regulator

Filter

Pressure regulator

Lubricator

System extensions

Accessories

Special products

## Pressure switch | BG1



Image shows:  
9.901X.00.011

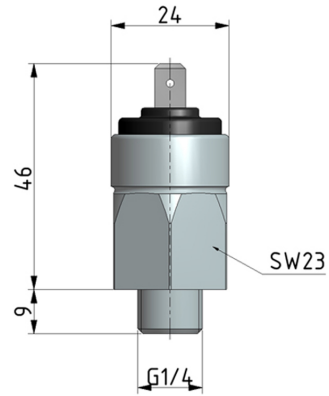


Image shows:  
9.901X.00.011

Service 3 unit

Service 2 unit

Filter regulator

Filter

Pressure regulator

Lubricator

System extensions

Accessories

Special products

### technical data

- **description:** diaphragm, spring loaded
- **medium:** air, non corrosive gases fluids
- **temperature range:** -30°C - +130°C
- **protection class:** IP 65, connect IP 00 DIN 40050
- **max. working pressure:** 1 - 10 bar (overpressure 100 bar)
- **Version:** usually opened
- **switch difference:** 10% - 15%
- **switching element:** contacts, silver plated
- **switch power:** 100 VA; 42 V; 2 A; 200/min

### accessories

type	part-number	description
PE.110	9.901X.00.011	Pressure switch G1/4, 1-10 bar with protection cap (usually opened)
PE.111	9.901X.00.013	Pressure switch G1/4, 1-10 bar with protection cap (usually closed)



## Pressure switch | BG3

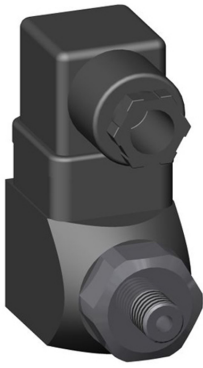


Image shows:  
9.900X.00.004

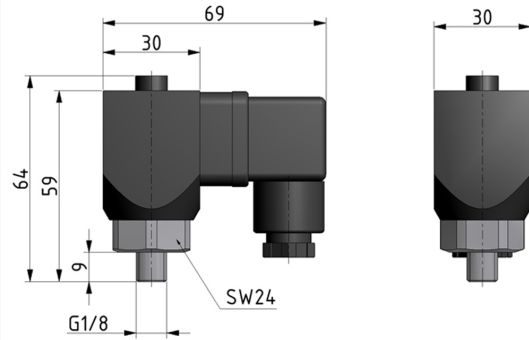


Image shows:  
9.900X.00.004

### technical data

- **description:** diaphragm, spring loaded
- **medium:** air, non corrosive gases fluids
- **temperature range:** -25°C - +85°C
- **protection class:** IP 65, connect IP 00 DIN 40050
- **max. working pressure:** 1 - 10 bar (overpressure 20 bar)
- **switch difference:** 15% - 25%
- **switching element:** micro switch, one pole change

### accessories

#### type

PE.210

#### part-number

9.900X.00.004

#### description

Pressure switch G1/8, 1-10 bar

Service 3 unit

Service 2 unit

Filter regulator

Filter

Pressure regulator

Lubricator

System extensions

Accessories

Special products

## Pressure switch | BGO



Image shows:  
9.900X.00.006

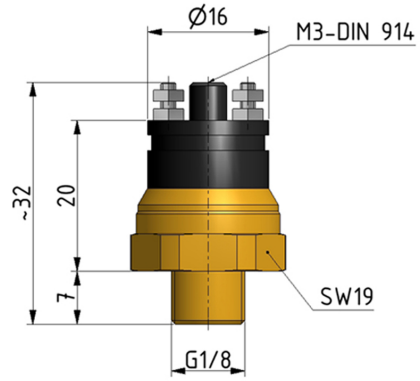


Image shows:  
9.900X.00.006

Service 3 unit

Service 2 unit

Filter regulator

Filter

Pressure regulator

Lubricator

System extensions

Accessories

Special products

### technical data

- **description:** diaphragm, spring loaded
- **medium:** compressed air
- **temperature range:** -30°C - +130°C
- **protection class:** IP 00, protection cap IP 65
- **max. working pressure:** 1 - 10 bar (protected against overpressure to 15 bar)
- **Version:** usually opened
- **switch difference:** 10% - 15%
- **switching element:** contacts, silver plated
- **switch power:** 100 VA; 24 V

### accessories

type	part-number	description
PE.310	9.900X.00.006	Pressure switch G1/8, 1-10 bar with protection cap

## Filter silencer | --



Image shows:  
9.4033.00.700

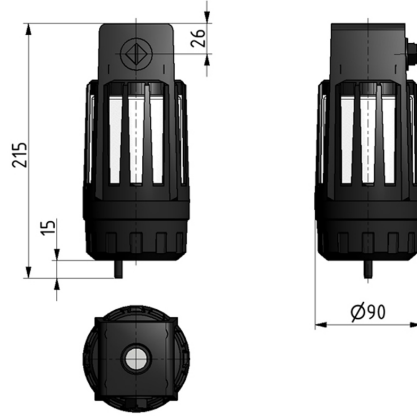
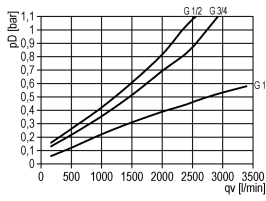
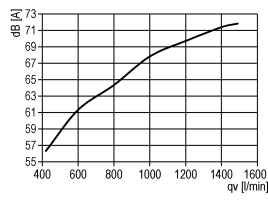


Image shows:  
9.4033.00.700

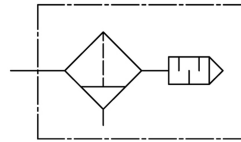
### flow characteristic



### noise expansion



### symbol



### technical data

- **description:** 3 graduated coalescence filter
- **supply pressure P1 max.:** 10 bar
- **temperature range:** 0 - 60°C
- **drain:** overflow for tube diameter inside ø6
- **mounting:** vertically, connection thread on the top and on the side
- **residual oil concent:** 0,01 mg/m<sup>3</sup>
- **filter efficiency:** 99,99%
- **reduction of noise:** circa 40 dB (A) (at P1 = 5 bar; Q = 2000 l/min and 1 m distance)
- **filter change:** min. once in a year

### accessories

- Befestigungswinkel  
BFSD.55-3

type	part-number	description
FSD.33	9.4033.00.700	Filter silencer G1/2
FSD.34	9.4034.00.700	Filter silencer G3/4

# Filter silencer | --



Image shows:  
9.4055.00.700

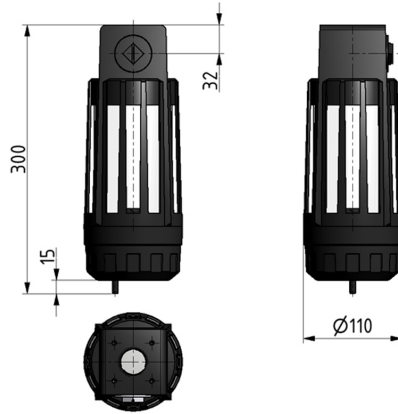
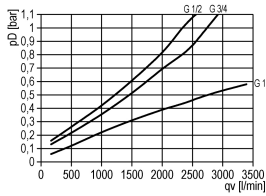
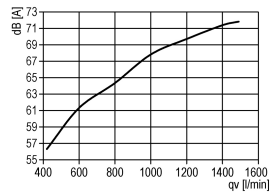


Image shows:  
9.4055.00.700

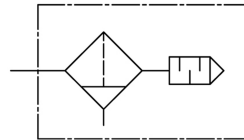
### flow characteristic



### noise expansion



### symbol



### technical data

- **description:** 3 graduated coalescence filter
- **supply pressure P1 max.:** 10 bar
- **temperature range:** 0 - 60°C
- **drain:** overflow for tube diameter inside  $\phi 6$
- **mounting:** vertically, connection thread on the top and on the side
- **residual oil concent:** 0,01 mg/m<sup>3</sup>
- **filter efficiency:** 99,99%
- **reduction of noise:** circa 40 dB (A) (at P1 = 5 bar; Q = 2000 l/min and 1 m distance)
- **filter change:** min. once in a year

### accessories

- Befestigungswinkel  
BFSD.55-3

### type

FSD.55

### part-number

9.4055.00.700

### description

Filter silencer G1

Service 3 unit

Service 2 unit

Filter regulator

Filter

Pressure regulator

Lubricator

System extensions

Accessories

Special products

## Automatic drain | --

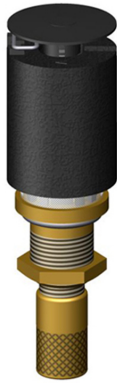


Image shows:  
9.3600.00.410/NC

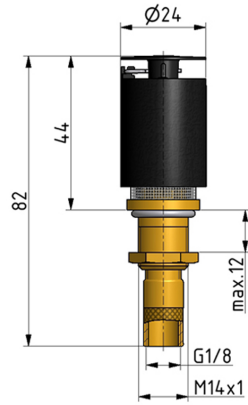


Image shows:  
9.3600.00.410/NC

### symbol



### technical data

- **description:** float handled condensate drain (no bleed pressureless)
- **supply pressure P1 min.:** 1,5 bar
- **supply pressure P1 max.:** 16 bar
- **temperature range:** 0 - 50°C
- **fixing:** located within condensate bowl
- **mounting shaft:** ø14 mm
- **discharge connection:** G 1/8
- **function without pressure:** (P1 0 bar) valve closed

### accessories

type	part-number	description
AM 10 NC	9.3600.00.410/NC	Automatic drain, p1= 1,5-16bar, usually closed
AM 10	9.3600.00.410/V	Automatic drain, p1= 1,5-16bar

Service 3 unit

Service 2 unit

Filter regulator

Filter

Pressure regulator

Lubricator

System extensions

Accessories

Special products