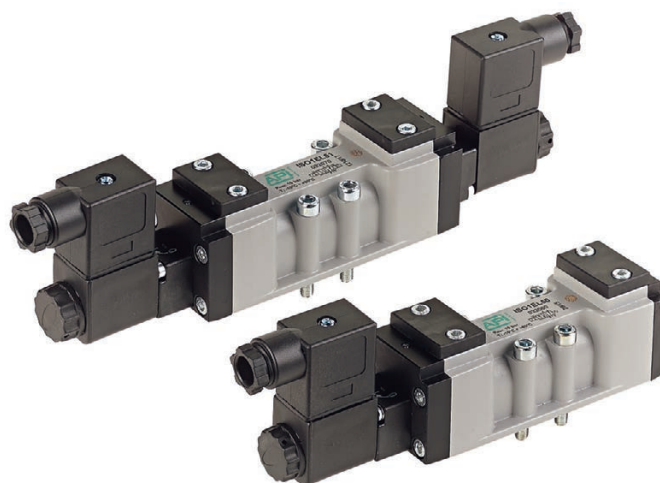


Valves ISO 5599/1

ISO 1, 5/2 - 5/3, electrically operated, with IN LINE pilot

Standard executions			
Version	Symbol	Code	Item
5/2 solenoid/spring		032060	ISO1EL50
5/2 solenoid/solenoid		032070	ISO1EL51
5/2 solenoid/solenoid differential		032061	ISO1EL52
5/3 with closed centres		032071	ISO1EL70
5/3 with open centres		032072	ISO1EL71
5/3 with pressurised centres		032066	ISO1EL72
5/2 solenoid/spring external air pilot		032063	ISO1KL50
5/2 solenoid/solenoid external air pilot		032064	ISO1KL51
5/2 solenoid/solenoid differential external air pilot		032065	ISO1KL52
5/3 with closed centres external air pilot		032067	ISO1KL70
5/3 with open centres external air pilot		032068	ISO1KL71
5/3 with pressurised centres external air pilot		032069	ISO1KL72



Series of spool valves, conforming to ISO 5599/1 standards for the mounting only on sub-base, with IN LINE pilot.

Coils and connectors have to be ordered separately.

For the coils type ASA12.../ASA2... see page 2.200.1

For the connectors type A122... /A182... see page 2.210.20

For the sub-bases type SBA1... see page 2.120.1

Code key

Series	Size	Actuation	Function
ISO	1	EL = electrical KL = electrical with external air pilot	50 = 5/2 solenoid/spring
	2		51 = 5/2 solenoid/solenoid
			52 = 5/2 solenoid/solenoid differential
			70 = 5/3 CC
			71 = 5/3 OC
			72 = 5/3 PC

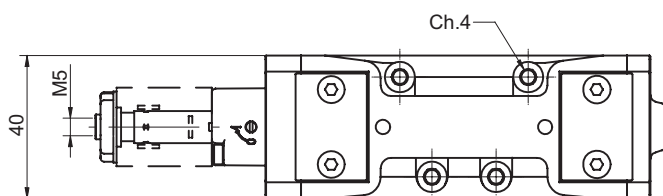
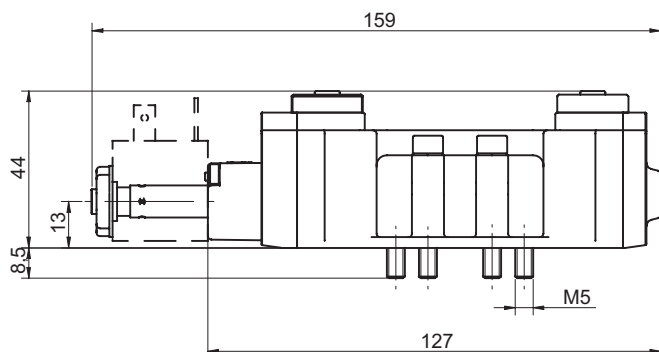
NOTE: FOR VALVES WITH CNOMO PILOT SEE PAGE 2.110.1

CE **II 2Gc IIB T5**
II 2Dc T100°C

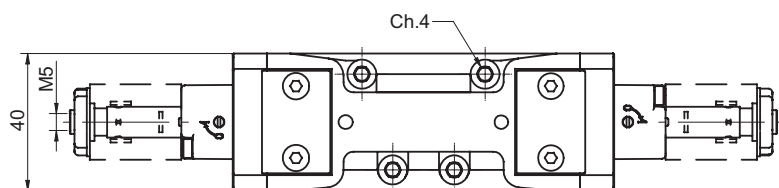
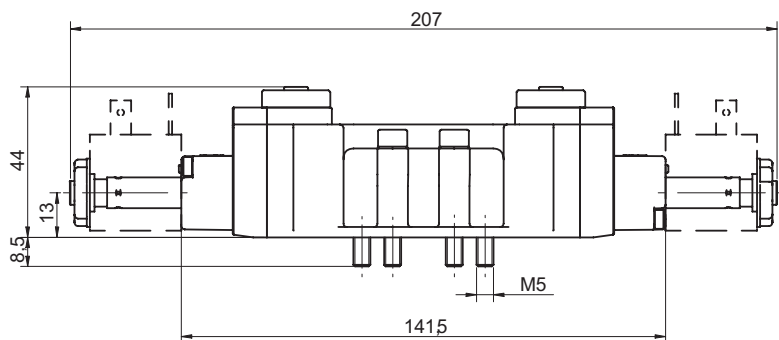
On request, they can be supplied according to 2014/34/EU - ATEX

Technical data			
Fluid	Compressed filtered air with or without lubrication. Lubrication, if started, must be continued.		
Pressure range	0 ÷ 10 bar		
Temperature range	-10°C ÷ +60°C		
Orifice	8,5 mm		
Flow	1100 NI/min at 6 bar with ΔP 1 bar		
Minimum piloting pressure	Spring return: 2 bar	Bistable: 1 bar	3 positions: 2,5 bar
Mounting	In any position		
Electropilot	IN LINE		
Manual override	Bistable on solenoid pilot - Spring return on valve body		
Materials	Body:	Die-cast painted aluminium	
	Covers:	PBT	
	Spool:	Hard aluminium anodized	
	Distancers:	Aluminium	
	Seals:	Hydrogenated Nitrile Butadiene Rubber (HNBR)	





Version	Symbol	Code	Item
5/2 solenoid/ spring		032060	ISO1EL50
5/2 solenoid/ spring, external air pilot		032063	ISO1KL50



Version	Symbol	Code	Item
5/2 solenoid/solenoid		032070	ISO1EL51
5/2 solenoid/solenoid differential		032061	ISO1EL52
5/3 with closed centres		032071	ISO1EL70
5/3 with open centres		032072	ISO1EL71
5/3 with pressurised centres		032066	ISO1EL72
5/2 solenoid/solenoid external air pilot		032064	ISO1KL51
5/2 solenoid/ solenoid external air pilot differential		032065	ISO1KL52
5/3 with closed centres external air pilot		032067	ISO1KL70
5/3 with open centres external air pilot		032068	ISO1KL71
5/3 with pressurised centres external air pilot		032069	ISO1KL72