

Valves ISO 5599/1
Sub-bases, ISO1

Standard executions			
Version	Symbol	Code	Item
Single sub-base		032190	SBA1S
Manifold sub-base		032120	SBA1M
Blank manifold end plate		032140	SBA1C
Ported manifold end plate		032141	SBA1A
Manifold blanking plate		032170	SBA1T
Interface for sub-base from size ISO1 to ISO2		032160	SBA1A2

The blank manifold end plate can be used to separate 2 supplies with different pressures on the same manifold.



Series of single and manifold sub-bases for valves ISO5599/1 size 1.

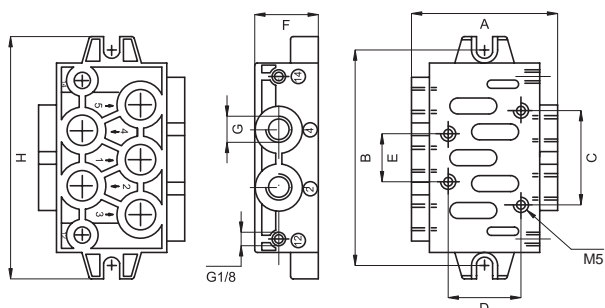
Materials:	Body: Die-cast aluminium Seals: Nitrile rubber (NBR) Screws: Zinc plated steel
------------	--

CE **II 2Gc IIB T5**
II 2Dc T100°C

On request, they can be supplied according to 2014/34/EU - **ATEX**

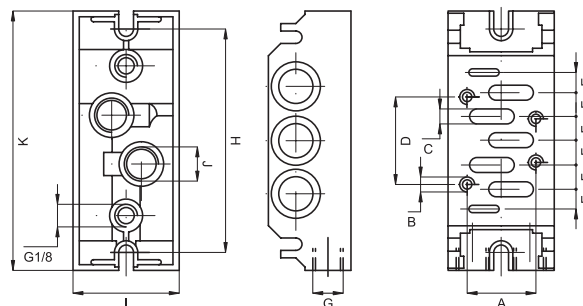
The kit SBA1M includes: 2 screws and 3 seals
The kit SBA1C/A includes: 2 screws and 3 seals
The kit SBA1T includes: 4 screws and 1 seal
The kit SBA1A2 includes: 4 screws and 6 seals

Type: SBA1S



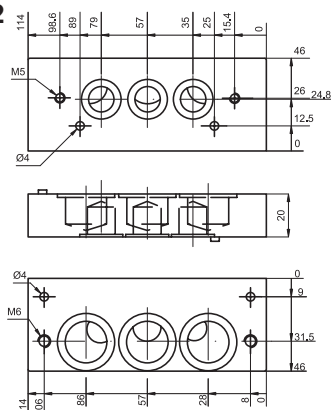
A	B	C	D	E	F	G	H
56	82,5	36	28	18	24	1/4"	92,5

Type: SBA1M

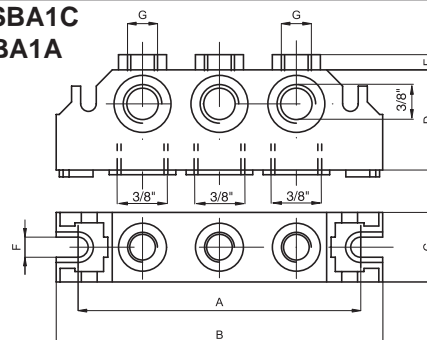


A	B	C	D	E	F	G	H	I	J	K
28	M5	4,5	36	8,5	9	1/4"	92	43	1/4"	106

Type: SBA1A2



Type: SBA1C
SBA1A



A	B	C	D	E	F	G
92	106	22	36	8	5,5	1/4"

