

Valves series A1N
1/4", 3/2 - 5/2 - 5/3, NAMUR interface, pneumatically operated

New



Standard executions			
Version	Symbol	Code	Item
3/2 NC pilot/spring		034238	A1NP230
3/2 pilot/pilot		034239	A1NP232
5/2 pilot/spring		034108	A1NP250
5/2 pilot/pilot		034240	A1NP251
5/3 with closed centres		034251	A1NP270
5/3 with open centres		034252	A1NP271
5/3 with pressurised centres		034253	A1NP272

Series of spool valves, with static seals, high flow, for mounting on NAMUR interface.

Code key

Series	Actuation	Size	Function	Options
A1N = NAMUR	P = pneumatic	2 = 1/4"	30 = 3/2 NC 32 = 3/2 pilot/pilot 50 = 5/2 pilot/spring 51 = 5/2 pilot/pilot 70 = 5/3 CC 71 = 5/3 OC 71 = 5/3 OC	BT = low temp. seals

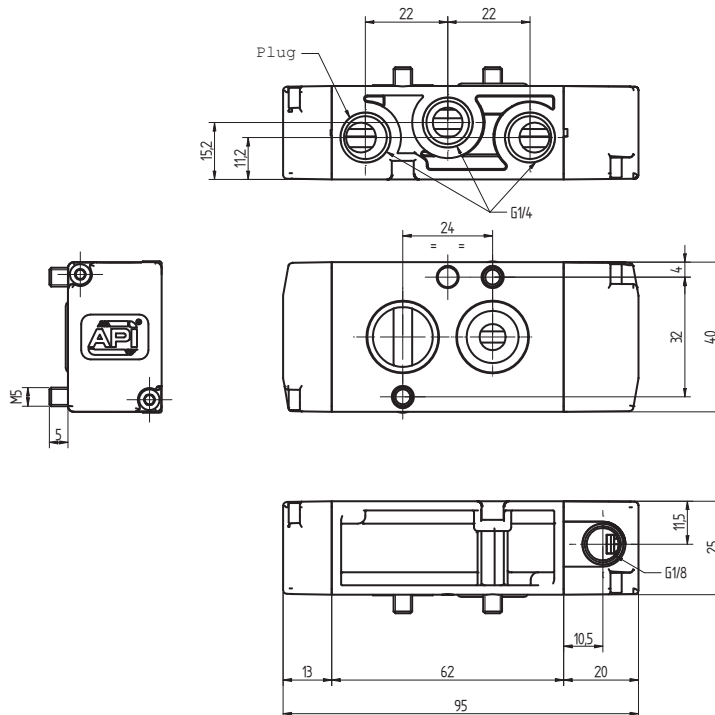
2

II 2Gc IIB T5
II 2Dc T100°C

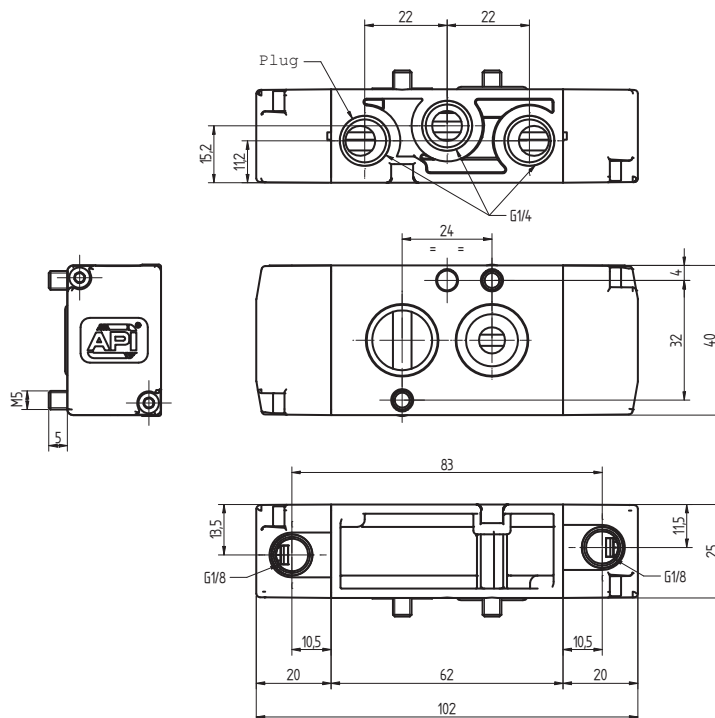
On request, they can be supplied according to 2014/34/EU - **ATEX**

Options	Suffix
Low temperature seals (-25 ÷ +60°C)	BT

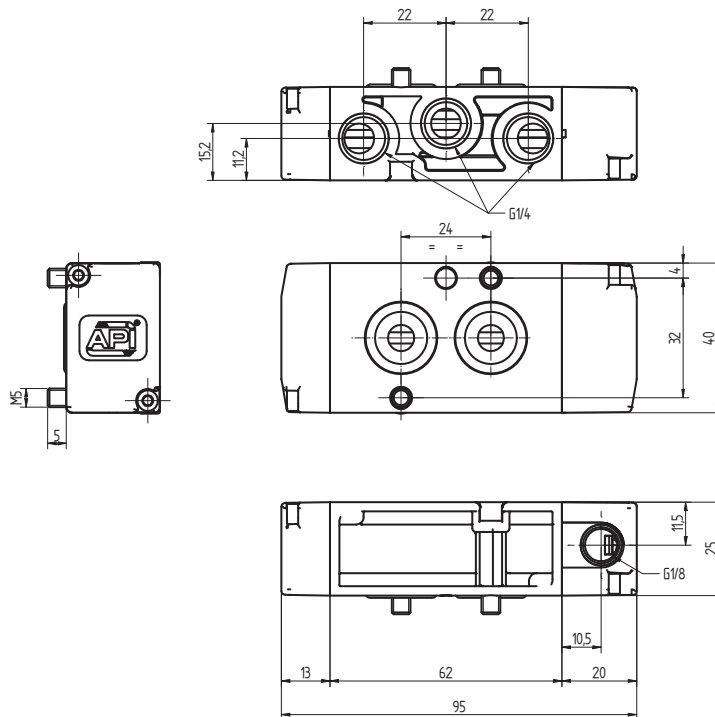
Technical data	
Fluid	Compressed filtered air with or without lubrication. Lubrication, if started, must be continued.
Pressure range	1 ÷ 10 bar
Temperature range	-10°C ÷ +60°C (standard) -25°C ÷ +60°C (BT)
Orifice	7 mm
Flow	1.000 NI/min at 6 bar with ΔP 1 bar
Minimum piloting pressure	1,5 bar
Minimum external air pressure	1,5 bar
Mounting	In any position
Manual override	Bistable
Materials	Body: Die-cast painted aluminium Covers: Hostaform C 13031 Spool: Hard aluminium anodized Distancers: Ixef 1022 Seals: Hydrogenated Nitrile Butadiene Rubber (HNBR)



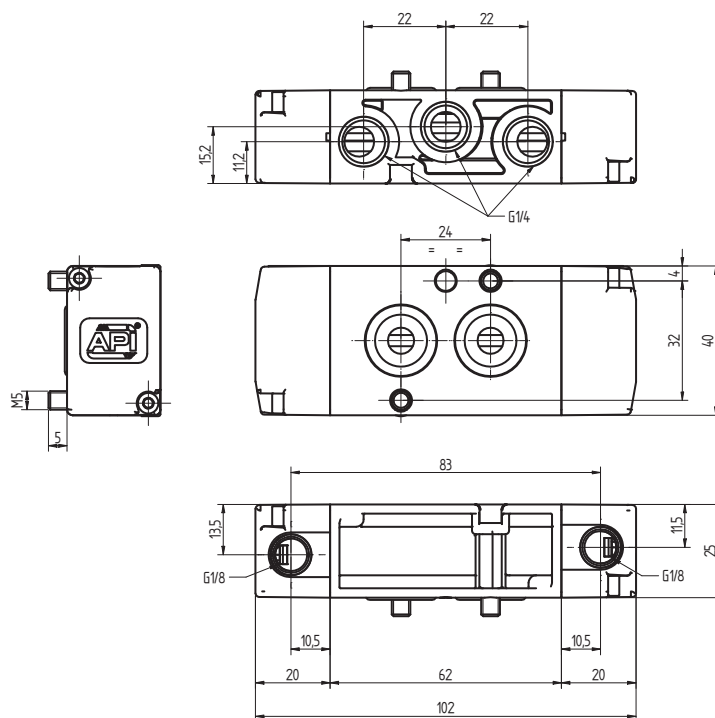
Version	Symbol	Code	Item
3/2 NC pilot/spring		034238	A1NP230



Version	Symbol	Code	Item
3/2 pilot/pilot		034239	A1NP232

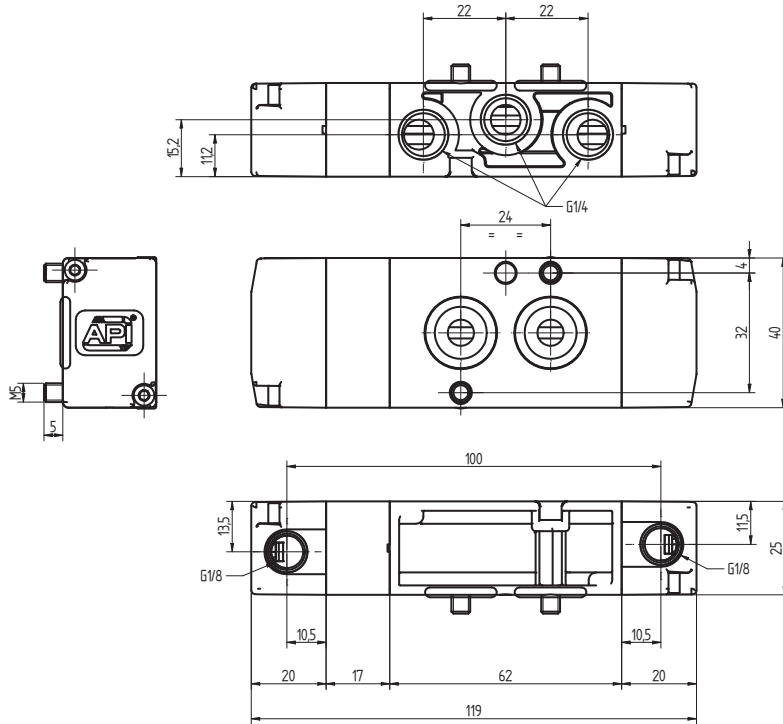


Version	Symbol	Code	Item
5/2 pilot/spring		034108	A1NP250



Version	Symbol	Code	Item
5/2 pilot/pilot		034240	A1NP251

2



Version	Symbol	Code	Item
5/3 with closed centres		034251	A1NP270
5/3 with open centres		034252	A1NP271
5/3 with pressurised centres		034253	A1NP272