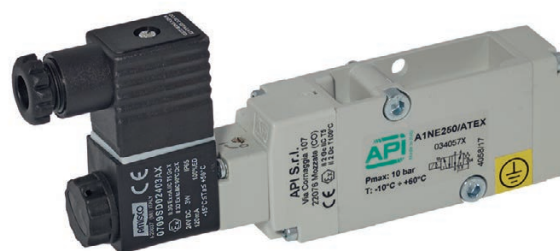


**Valves series A1N - Non-sparking coil Ex nA
1/4", 3/2 - 5/2, NAMUR interface, electrically operated Ex nA**

Standard executions		
Version	Symbol	Code
3/2 NC		For code key see table below
3/2 solenoid/solenoid		
5/2 solenoid/spring		
5/2 solenoid/solenoid		



Options	Suffix
Low temperature seals	-15°C ÷ +50°C BT

Solenoid operator with a special coil for pneumatic application in potentially explosive environment (group II).

Solenoid system is conforming to 2014/34/EU Directive, certified:

II 3G Ex nA IIC T5 Gc X
II 3D Ex tc IIIC T95°C Dc X IP65

Connectors have to be ordered separately:

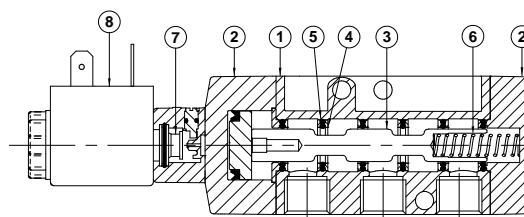
For connector type A12209N/A1TEX

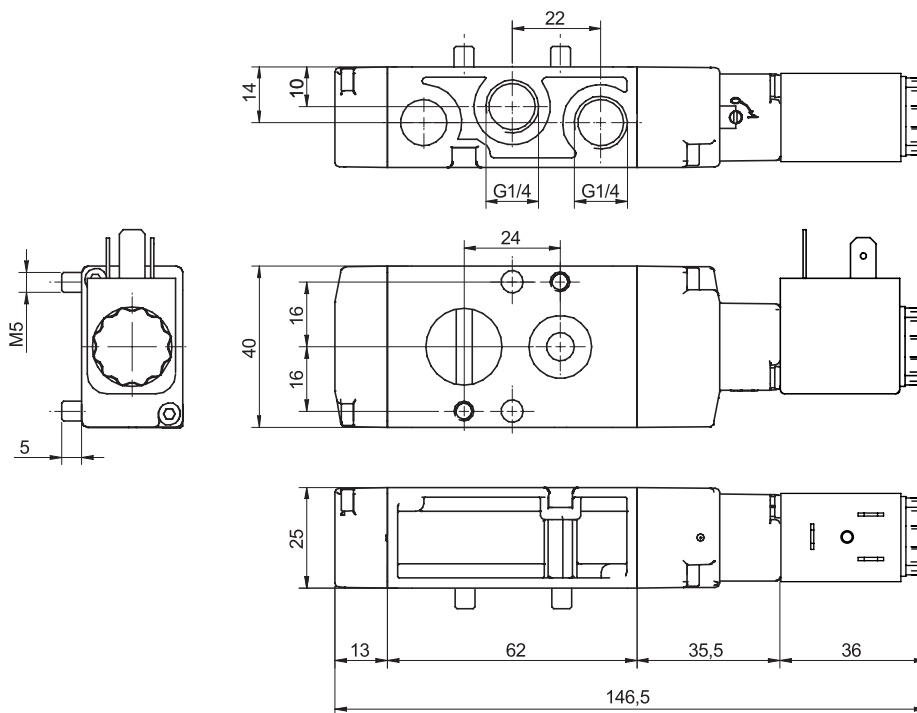
see page 2.210.50



Code key							
Series	Actuation	Size	Function	Hazardous areas	Voltages		Options
A1N = NAMUR	E = electrical Ø9	2 = 1/4 Gas	30 = 3/2 NC 32 = 3/2 solenoid/solenoid 50 = 5/2 solenoid/spring 51 = 5/2 solenoid/solenoid	XX = II 3G Ex nA IIC T5 Gc X II 3D Ex tc IIIC T95°C Dc X IP65	B = 12 VDC C = 24 VDC *	F = 24 VAC * I = 110 VAC * O = 220 VAC *	BT = low temp. seals
					* = Standard voltages		

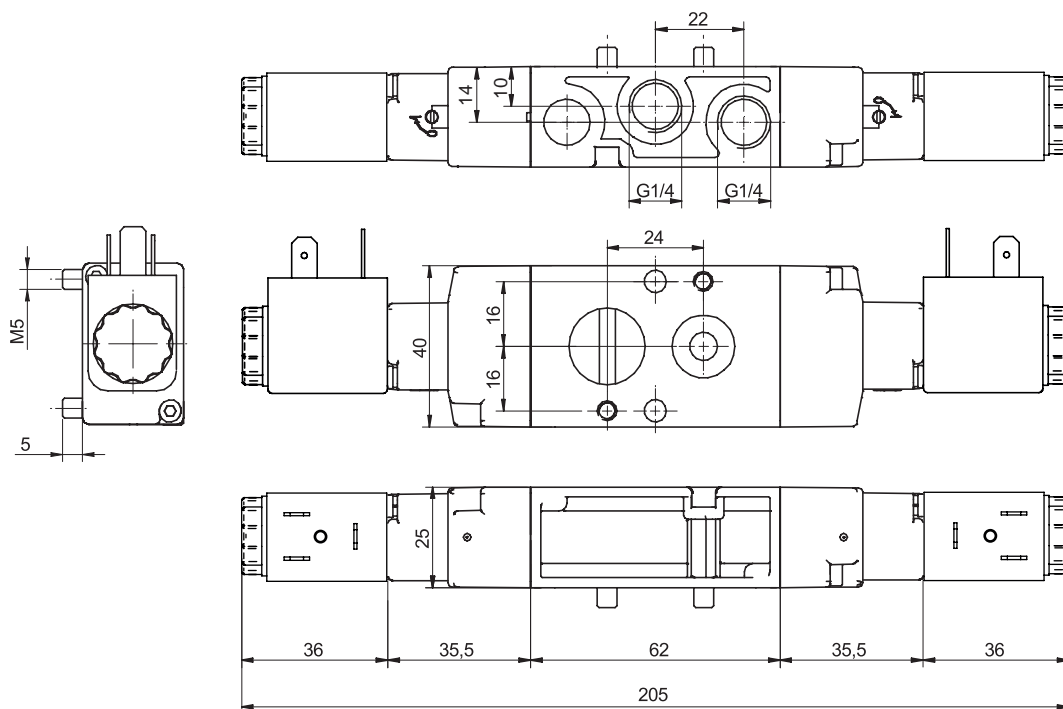
Technical data							
Fluid		Compressed filtered air with or without lubrication. Lubrication, if started, must be continued.					
Threaded connection		1/4 Gas					
Pressure range		Spring return: 1,5 ÷ 10 bar			Bistable: 1 ÷ 10 bar		
Temperature range		-10°C ÷ +50°C (standard)			-15°C ÷ +50°C (BT)		
Protection grade		IP 65					
Ø Orifice		7 mm					
Flow		1.000 NI/min at 6 bar with ΔP 1 bar					
Mounting		In any position (vertical assembly is not recommended for bistable valves subjected to vibration)					
Manual override		Bistable					
Electrical characteristics	Nominal voltage	12 VDC	24 VDC	24 VAC	110 VAC	220 VAC	
	Frequency	-	-	50 / 60 Hz	50 / 60 Hz	50 / 60 Hz	
	Nominal current	0.250 A	0.120 A	0.208 A	0.045 A	-0.023 A	
	Nominal power	3 W	3 W	5 VA	5 VA	5 VA	
	Duty cycle	100% ED					
	Temp. class	T5					
Response time (at 6 bar)		Energising: - ms		Energising: - ms		Energising: - ms	
		De-energising: - ms		De-energising: - ms		De-energising: - ms	
Materials	① Body:	Die-cast painted aluminium					
	② Cover:	Hostaform C 13031					
	③ Spool:	Hard aluminium anodized					
	④ Distancers:	Ixef 1022					
	⑤ Seals:	Hydrogenate Nitrile Butadine Rubber (HNBR)					
	⑥ Spring:	Stainless steel					
	⑦ Operator:	Brass					
	⑧ Coil:	Thermoset resin					





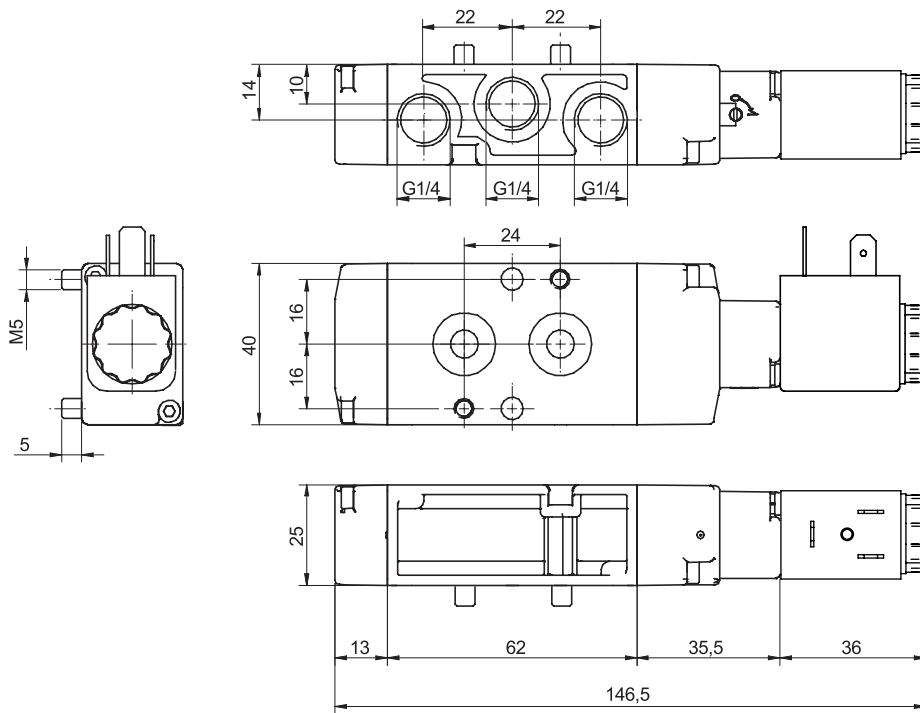
Version	Symbol	Code	Item
3/2 NC			A1NE230XX*

* For coil voltage: see code key at page 2.88.20



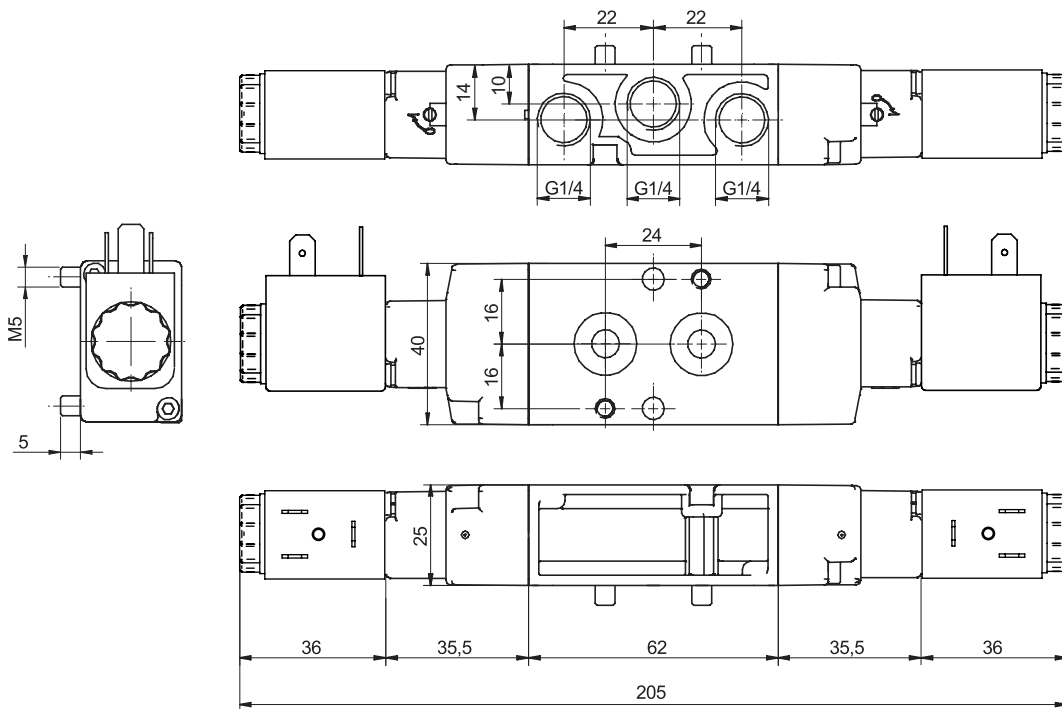
Version	Symbol	Code	Item
3/2 solenoid/solenoid			A1NE232XX*

* For coil voltage: see code key at page 2.88.20



Version	Symbol	Code	Item
5/2 solenoid/spring			A1NE250XX*

* For coil voltage: see code key at page 2.88.20



Version	Symbol	Code	Item
5/2 solenoid/solenoid			A1NE251XX*

* For coil voltage: see code key at page 2.88.20

2