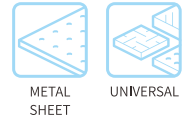


ZFP Series

Vacuum Filter



Features

- ◇ It can effectively prevent solid particles or dust from being sucked into the vacuum pump or system, reduce wear, improve operation reliability, extend the lifetime of vacuum pump, and also effectively protect components of vacuum system (such as vacuum valve, vacuum gauge, etc.).
- ◇ Consist of a steel housing and a lid with quick locking clips. Rugged all steel construction for heavy duty applications. Quickly exchangeable filter element. Large dirt holding capacity and easy cleaning. High filtration precision up to 99% (10µm particles), and the gas temperature is -15~90°C.
- ◇ Various nominal flow rate for option.

Application

- ◇ Suitable for dusty environments, removal efficiency reaches 99%.
- ◇ Effectively filters incoming air and protects vacuum generating devices (such as vacuum pumps and blowers).

How to order

ZFP 30

① ②

| ① Series | ② Nominal flow |
|----------|----------------------------|
| ZFP | 30 - 32m ³ /h |
| | 40 - 42m ³ /h |
| | 100 - 100m ³ /h |
| | 120 - 120m ³ /h |
| | 300 - 300m ³ /h |

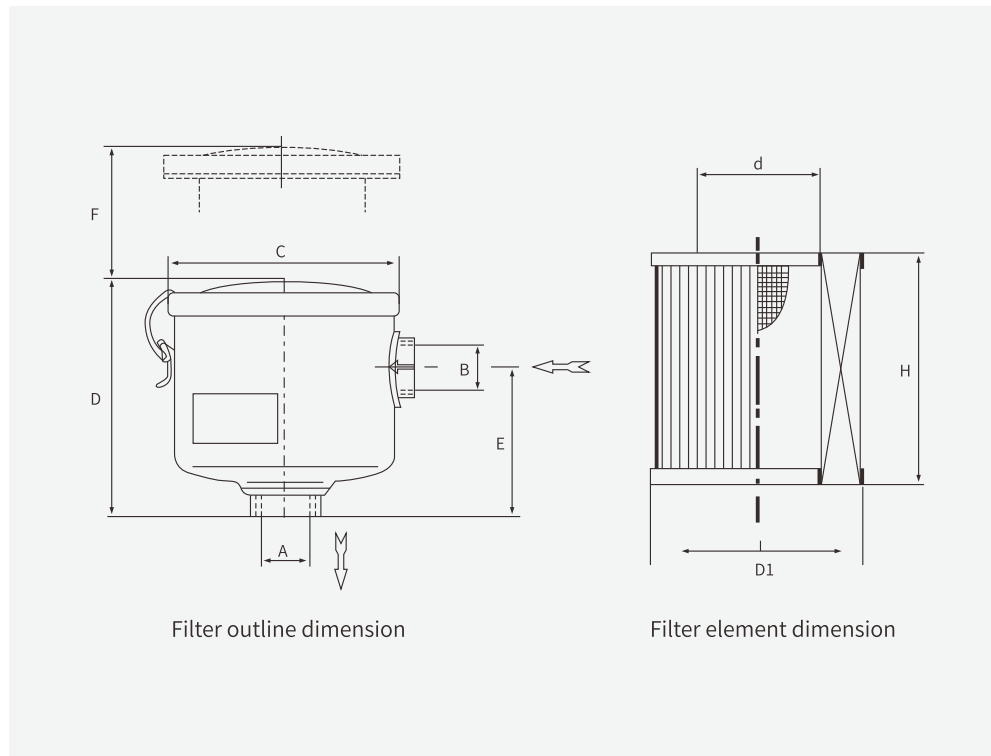
Technical parameters

| Model | Material | Temperature range (°C) | Removal efficiency (µm) | Weight (kg) | Nominal flow (m ³ /h) |
|--------|----------------|------------------------|-------------------------|-------------|----------------------------------|
| ZFP30 | Aluminum alloy | -15~90 | 10 | 1 | 32 |
| ZFP40 | | | | 1 | 42 |
| ZFP100 | | | | 1.4 | 100 |
| ZFP120 | | | | 2.3 | 120 |
| ZFP300 | | | | 6.9 | 300 |

ZFP Series

Vacuum Filter

Dimensions (mm)



| Model/ Size | A | B | C | D | E | F | D1 | d | H |
|-------------|--------|--------|-----|-----|-----|-----|-----|----|-----|
| ZFP30 | G1/2 | G1/2 | 101 | 90 | 53 | 70 | 65 | 38 | 69 |
| ZFP40 | G3/4 | G3/4 | 101 | 90 | 53 | 70 | 65 | 38 | 69 |
| ZFP100 | G1"1/4 | G1"1/4 | 146 | 110 | 70 | 75 | 98 | 60 | 70 |
| ZFP120 | G1"1/4 | G1"1/4 | 185 | 170 | 115 | 130 | 128 | 64 | 125 |
| ZFP300 | G2" | G2" | 222 | 258 | 125 | 240 | 150 | 88 | 222 |

Repair kits

Filter element

| Model | Applicable vacuum filter |
|-----------|--------------------------|
| ZFP30-FE | ZFP30, 40 |
| ZFP100-FE | ZFP100 |
| ZFP120-FE | ZFP120 |
| ZFP300-FE | ZFP300 |

ZFA

ZFB

ZFL

ZFP

ZVAB

ZVAC

ZVAA

ZVEA

ZVEV

ZVR

ZVT

ZPDA

ZPDB

ZCE

ZSA

ZPMR