

ZPMR Series

Mechanical Pressure Gauge



Features

- ◇ Mechanical pressure gauge, panel is made of acrylic, and ABS black plastic for case.
- ◇ Back entry type mounting, universal specifications, easy to use.

How to order

ZPMR - P

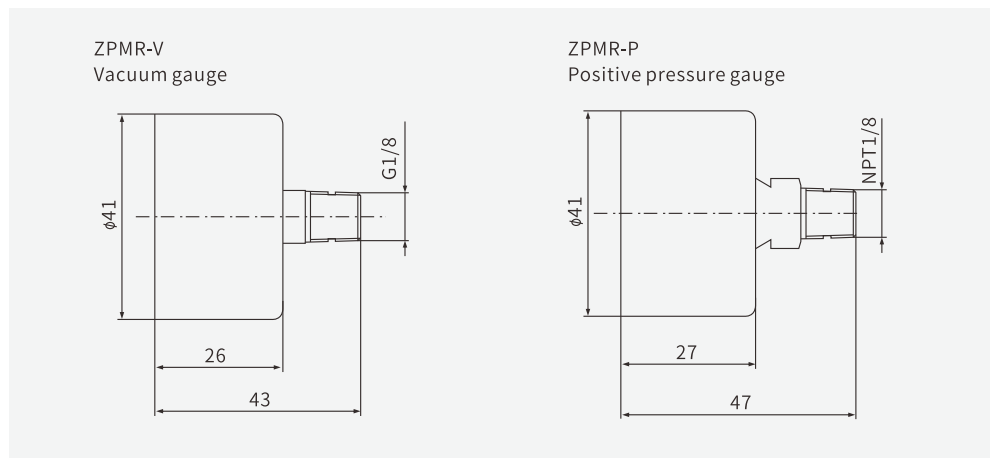
① ②

① Series	② Pressure type	Standard connection thread
ZPMR	P -Positive V -Vacuum	T1M - NPT1/8 Male thread G1M - G1/8 Male thread

Technical parameters

Pressure type	Pressure range	Dial size	material of connector
P - Positive	0 ~ 1 MPa	1.5"	Brass
V -Vacuum	-100 ~ 0 kPa		

Dimensions (mm)



Vacuum Accessories

- ZFA
- ZFB
- ZFL
- ZFP
- ZVAB
- ZVAC
- ZVAA
- ZVEA
- ZVEV
- ZVR
- ZVT
- ZPDA
- ZPDB
- ZCE
- ZSA
- ZPMR