

Version	Symbol	Type
Circuit selector (OR)		V60

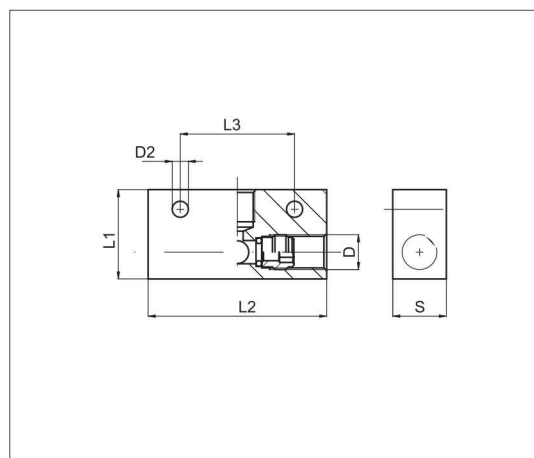


Threads	1/8"	1/4"
Code	18	14

Series of circuit selectors with ports 1/8" and 1/4". They are used to convey into a tube 2 pneumatic flows from 2 different tubes as not to interfere each other. Pushing air into one of 2 inlet orifices it passes to the outlet orifice excluding the second one.

How to order: V601818

V60	18	18
Type	Thread code	Thread code



Code	Item	D	D ₂	L ₁	L ₂	L ₃	S	gr.
024348	V601818	1/8"	4,5	25	50	32	15	50
024349	V601414	1/4"	5,5	30	52	35	25	74

Technical data	
Fluid	Compressed air
Pressure range	0,5 ÷ 12 bar
Temperature range	-20 °C ÷ + 70°C
Parallel threads	UNI - ISO 228 / 1 (BSP)
Materials	Body: Anodised aluminium Seals: Nitrile rubber (NBR)