

# Push-in fittings series RT In DELRIN

Version	Type	Version	Type
BSP stud	RT12	Plug-in elbow	RT49
Union	RT25	BSPT swivel tee	RT21
BSP stem adapter	RT13	BSP swivel tee	RT22
Reducer	RT26	BSPT swivel side tee	RT23
Stem increaser	RT27	BSP swivel side tee	RT24
Stem	RT32	Equal tee	RT15
Plug	RT33	Y piece	RT29
BSPT swivel elbow	RT16	Stem Y	RT30
Extended BSPT swivel elbow	RT17	BSP swivel Y	RT31
BSP swivel elbow	RT18	Equal swivel H	RT46
Extended BSP swivel elbow	RT19	Manifold	RT36
BSP swivel elbow hex wrench	RT20	Double Y coupling	RT43
Bulkhead elbow	RT48	Double Y coupling with threaded joint	RT44
Equal elbow	RT14	Single hollow bolt	R31
		Single banjo	RT28
		Stem cartridge	RT34



Series of push-in fittings with reduced dimensions and new collet and release collar.  
They are for connecting nylon and polyurethane tubes.  
Available in various configurations (studs, elbows, T, Y) and with threads Gas pre-tefloned taper (BSPT) and Gas parallel (BSP) with sealing o-ring.  
The stud threaded versions are standard with external and internal hexagonal key (for mounting in narrow places).

\*How to order: RT120618V

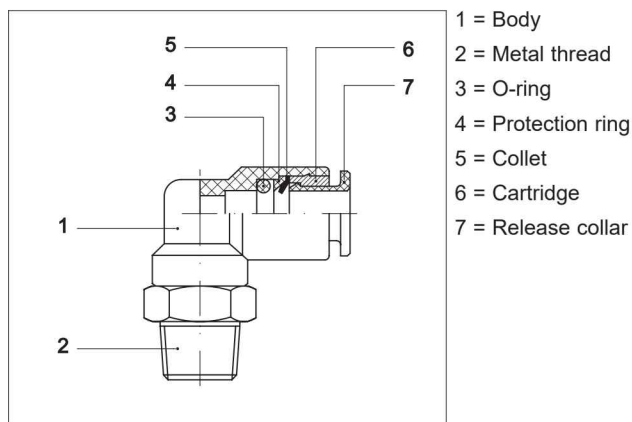
RT12	06	18	V
Type	Tube Ø code	Tube or thread code	Option

\* For standard items, codes and dimensions see tables from page 4.5.2

External tube (mm)	3	4	5	6	8	10
Code	03	04	05	06	08	10

Threads	M5	1/8"	1/4"	3/8"
Code	M5	18	14	38

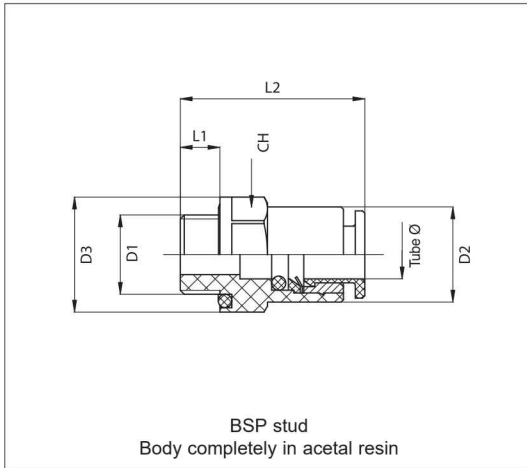
Options	Suffix
Seals FKM max 150 °C	V
Special versions on request	/ S



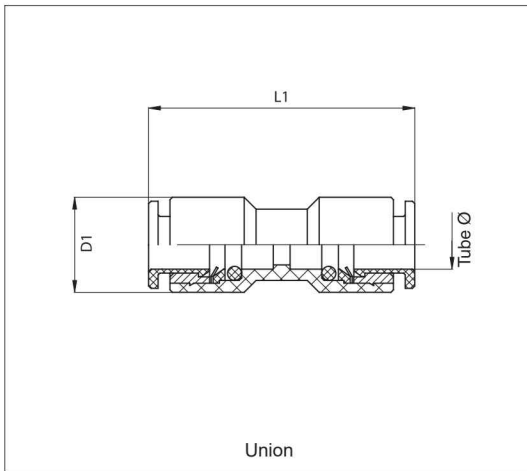
Technical data	
Fluid	Compressed air
Pressure range	0,5 ÷ 12 bar (vacuum resistance: 750 mm. Hg)
Temperature range	-20 °C ÷ + 70°C
Parallel threads	UNI - ISO 228 / 1 (BSP)
Taper threads	UNI - ISO 7 / 1 (BSPT)
Metric threads	ISO R / 262
Connection tubes	Calibrated nylon, polyurethane and rilsan
Tube tolerances	± 0,05 mm
Materials	Body and release collar: Acetal resin (DELRIN) Metal thread: Nickel plated brass Collet: Stainless steel Seals: Nitrile rubber (NBR)



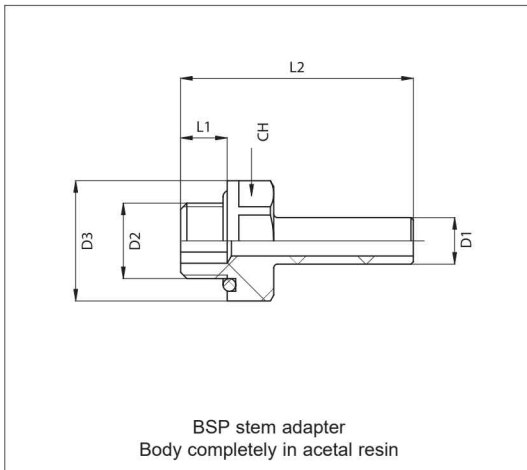
**Push-in fittings series RT  
In DELRIN**



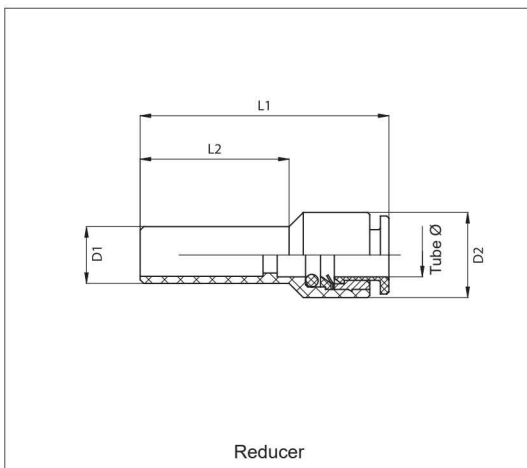
Code	Item	Tube Ø	D <sub>1</sub>	D <sub>2</sub>	D <sub>3</sub>	L <sub>1</sub>	L <sub>2</sub>	CH	Weight (g.)
029101	RT 12 04 18	4	1/8"	9,7	15,5	6	20	14	2
029102	RT 12 06 18	6	1/8"	12	15,5	6	23	14	3
029103	RT 12 06 14	6	1/4"	12	18,5	8	25	17	5
029104	RT 12 08 18	8	1/8"	14	15,5	6	24,5	14	4
029105	RT 12 08 14	8	1/4"	14	18,5	8	24	17	6
029106	RT 12 08 38	8	3/8"	14	23,5	9	26	21	8
029107	RT 12 10 14	10	1/4"	16,5	18,5	8	27,5	17	6
029108	RT 12 10 38	10	3/8"	16,5	23,5	9	27,5	21	8



Code	Item	Tube Ø	D <sub>1</sub>	L <sub>1</sub>	Weight (g.)
029341	RT 25 04 04	4	9,7	25,5	2
029342	RT 25 06 06	6	12	32	4
029345	RT 25 06 04	6-4	12	30	4
029343	RT 25 08 08	8	14	33,5	6
029346	RT 25 08 06	8-6	14	33	6
029344	RT 25 10 10	10	16,5	37,5	8
029347	RT 25 10 08	10-8	16,5	36,5	8
029348	RT 25 12 12	12	19	42	8
029349	RT 25 12 08	12-8	19	42	8
029350	RT 25 12 10	12-10	19	42	8

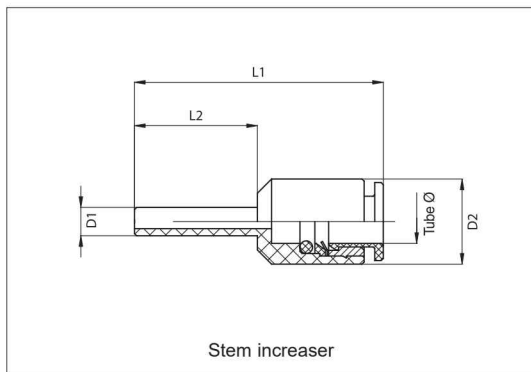


Code	Item	D <sub>1</sub>	D <sub>2</sub>	D <sub>3</sub>	L <sub>1</sub>	L <sub>2</sub>	CH	Weight (g.)
029121	RT 13 04 18	4	1/8"	15,5	6	27	14	2
029122	RT 13 06 18	6	1/8"	15,5	6	30	14	2
029123	RT 13 06 14	6	1/4"	18,5	8	33,5	17	3
029124	RT 13 08 18	8	1/8"	15,5	6	32	14	2
029125	RT 13 08 14	8	1/4"	18,5	8	35,5	17	3
029126	RT 13 08 38	8	3/8"	23,5	9	37	21	6
029127	RT 13 10 14	10	1/4"	18,5	8	37,5	17	4
029128	RT 13 10 38	10	3/8"	23,5	9	39	21	5

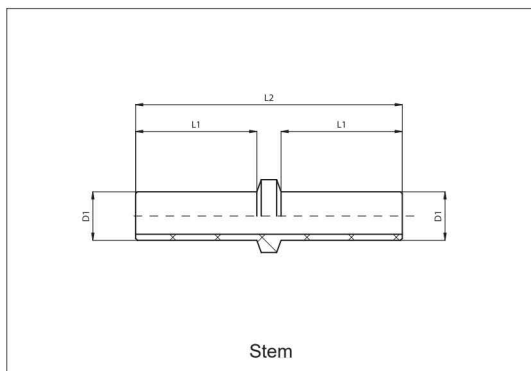


Code	Item	Tube Ø	D <sub>1</sub>	D <sub>2</sub>	L <sub>1</sub>	L <sub>2</sub>	Weight (g.)
029351	RT 26 04 06	4	6	10	31	18	1
029352	RT 26 04 08	4	8	10	32	20	2
029353	RT 26 04 10	4	10	10	37	22	3
029354	RT 26 06 08	6	8	12	36	20	3
029355	RT 26 06 10	6	10	12	36	22	3
029356	RT 26 06 12	6	12	12	40	25	4
029357	RT 26 08 10	8	10	14	38,5	22	5
029358	RT 26 08 12	8	12	14	39,5	25	-
029359	RT 26 10 12	10	12	16,5	44	25	-

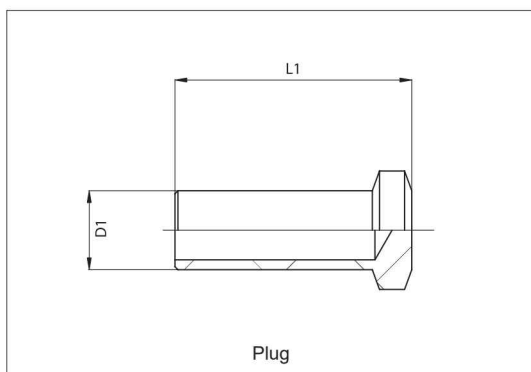
Push-in fittings series RT  
In DELRIN



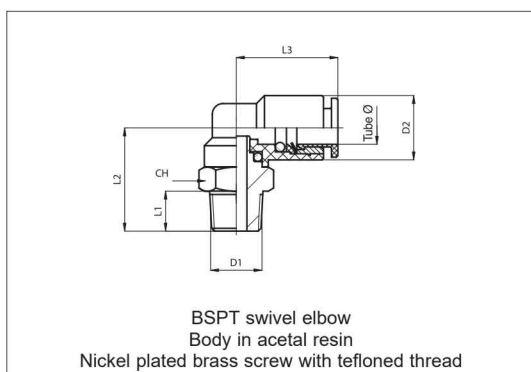
Code	Item	Tube Ø	D1	D2	L1	L2	Weight (g.)
029371	RT 27 06 04	6	4	12	33	16	3
029372	RT 27 08 06	8	6	14	33,5	18	4



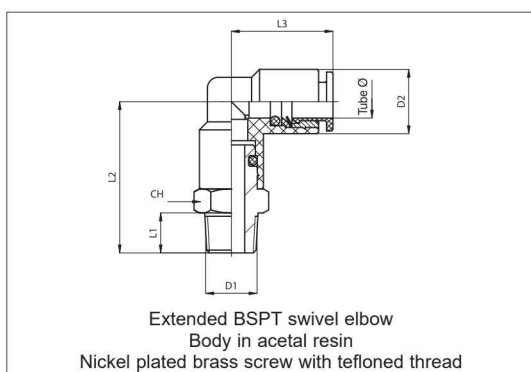
Code	Item	D1	L1	L2	Weight (g.)
029431	RT 32 04 04	4	15	33	1
029432	RT 32 06 06	6	18	40	1
029433	RT 32 08 08	8	20	45	2
029434	RT 32 10 10	10	22	48	3
029435	RT 32 12 12	12	25	54	3
029436	RT 32 14 14	14	25	54	3



Code	Item	D1	L1	Weight (g.)
029441	RT 33 04 04	4	18	1
029442	RT 33 06 06	6	22	1
029443	RT 33 08 08	8	25	1
029444	RT 33 10 10	10	26	1
029495	RT 33 12 12	12	40	3,3
029446	RT 33 14 14	14	40	3,3



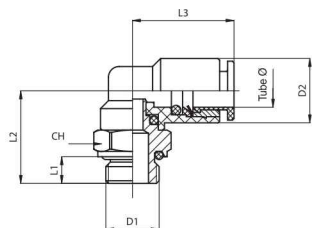
Code	Item	Tube Ø	D1	D2	L1	L2	L3	CH	Weight (g.)
029161	RT 16 04 18	4	1/8"	9,7	7,5	17	15	10	7
029162	RT 16 04 14	4	1/4"	9,7	11	20,5	15	14	13
029163	RT 16 06 18	6	1/8"	12	7,5	18,5	19	12	10
029164	RT 16 06 14	6	1/4"	12	11	22,5	19	14	14
029165	RT 16 08 18	8	1/8"	14	7,5	20	20,5	14	13
029166	RT 16 08 14	8	1/4"	14	11	23,5	20,5	14	15
029167	RT 16 08 38	8	3/8"	14	11,5	24,5	20,5	17	24
029168	RT 16 10 14	10	1/4"	16,5	11	25,5	23,5	16	19
029169	RT 16 10 38	10	3/8"	16,5	11,5	26,5	23,5	17	23
029170	RT 16 12 38	12	3/8"	19	11,5	28,5	28,5	20	
029171	RT 16 12 12	12	1/2"	19	14	31,5	28,5	22	
029172	RT 16 14 38	14	3/8"	22,5	11,5	29,5	33	20	
029173	RT 16 14 12	14	1/2"	22,5	14	32,5	33	22	



Code	Item	Tube Ø	D1	D2	L1	L2	L3	CH	Weight (g.)
029181	RT 17 04 18	4	1/8"	9,7	7,5	25,5	15	10	19
029182	RT 17 04 14	4	1/4"	9,7	11	29	15	14	14
029183	RT 17 06 18	6	1/8"	12	7,5	29,5	19	12	14
029184	RT 17 06 14	6	1/4"	12	11	33	19	14	18
029185	RT 17 08 18	8	1/8"	14	7,5	33	20,5	14	20
029186	RT 17 08 14	8	1/4"	14	11	36,5	20,5	14	21
029187	RT 17 08 38	8	3/8"	14	11,5	38	20,5	17	26
029188	RT 17 10 14	10	1/4"	16,5	11	41,5	23,5	16	32
029189	RT 17 10 38	10	3/8"	16,5	11,5	42,5	23,5	17	30

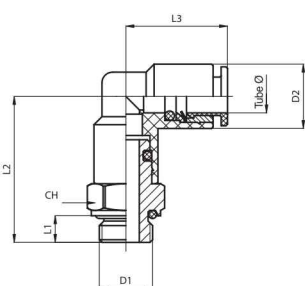
4

**Push-in fittings series RT  
In DELRIN**



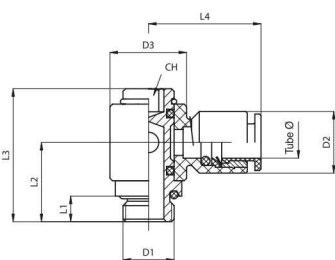
**BSP swivel elbow**  
Body in acetal resin  
Nickel plated brass screw with sealing OR

Code	Item	Tube Ø	D1	D2	L1	L2	L3	CH	Weight (g.)
029201	RT 18 04 M5	4	M5	9,7	4	15	15	9	8
029202	RT 18 04 18	4	1/8"	9,7	5	15	15	13	5
029203	RT 18 04 14	4	1/4"	9,7	6,5	17	15	16	12
029204	RT 18 06 M5	6	M5	12	4	15	19	12	8
029205	RT 18 06 18	6	1/8"	12	5	16,5	19	13	10
029206	RT 18 06 14	6	1/4"	12	6,5	18,5	19	16	14
029207	RT 18 08 18	8	1/8"	14	5	17,5	20,5	14	11
029208	RT 18 08 14	8	1/4"	14	6,5	19,5	20,5	16	14
029209	RT 18 08 38	8	3/8"	14	7	21,5	20,5	20	23
029210	RT 18 10 14	10	1/4"	16,5	6,5	21,5	23,5	16	17
029211	RT 18 10 38	10	3/8"	16,5	7	23,5	23,5	20	24
029212	RT 18 12 38	12	3/8"	19	7	24	28,5	20	
029213	RT 18 12 12	12	1/2"	19	8,5	28,5	28,5	20	
029214	RT 18 14 38	14	3/8"	22,5	7	25	33	20	
029215	RT 18 14 12	14	1/2"	22,5	8,5	29,5	33	20	



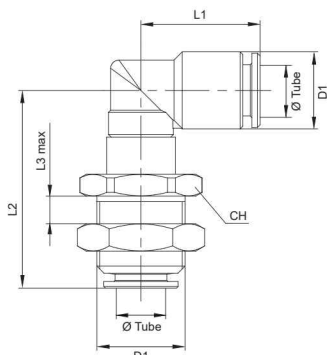
**Extended BSP swivel elbow**  
Body in acetal resin  
Nickel plated brass screw with sealing OR

Code	Item	Tube Ø	D1	D2	L1	L2	L3	CH	Weight (g.)
029221	RT 19 04 M5	4	M5	9,7	4	23,5	15	9	8
029222	RT 19 04 18	4	1/8"	9,7	5	23,5	15	13	9
029223	RT 19 04 14	4	1/4"	9,7	6,5	23,5	15	16	13
029224	RT 19 06 M5	6	M5	12	4	26	19	12	13
029225	RT 19 06 18	6	1/8"	12	5	27,5	19	13	13
029226	RT 19 06 14	6	1/4"	12	6,5	29,5	19	16	17
029227	RT 19 08 18	8	1/8"	14	5	30,5	20,5	14	19
029228	RT 19 08 14	8	1/4"	14	6,5	32,5	20,5	16	20
029229	RT 19 08 38	8	3/8"	14	7	34,5	20,5	20	27
029230	RT 19 10 14	10	1/4"	16,5	6,5	37	23,5	16	27
029231	RT 19 10 38	10	3/8"	16,5	7	38	23,5	20	31



**BSP elbow hex wrench**  
Body in acetal resin  
Nickel plated brass screw with sealing OR

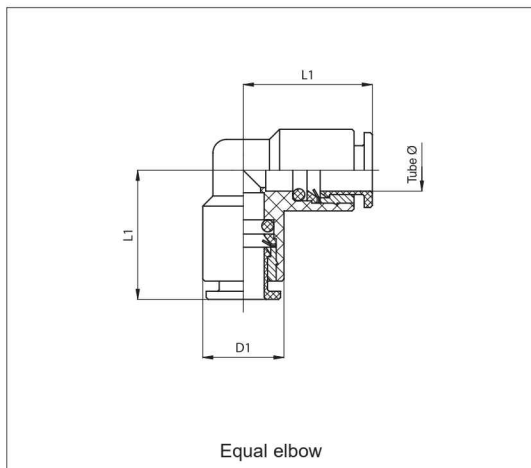
Code	Item	Tube Ø	D1	D2	D3	L1	L2	L3	L4	CH	Weight (g.)
029241	RT 20 04 M5	4	M5	9,7	9,7	4	11,5	20,5	17	4	6
029242	RT 20 04 18	4	1/8"	9,7	15	5	15	25,5	18,5	4	14
029250	RT 20 06 M5	6	M5	12	9,7	4	11,5	20,5	21	4	8
029243	RT 20 06 18	6	1/8"	12	15	5	15	25,5	22	4	14
029244	RT 20 06 14	6	1/4"	12	18	6,5	18	29,5	23,5	5	23
029245	RT 20 08 18	8	1/8"	14	15	5	15	25,5	22,5	4	15
029246	RT 20 08 14	8	1/4"	14	18	6,5	18	29,5	24	5	24
029247	RT 20 08 38	8	3/8"	14	23	7	21	34	26	6	24
029248	RT 20 10 14	10	1/4"	16,5	18	6,5	18	29,5	26	5	25
029249	RT 20 10 38	10	3/8"	16,5	23	7	21	34	28	6	41



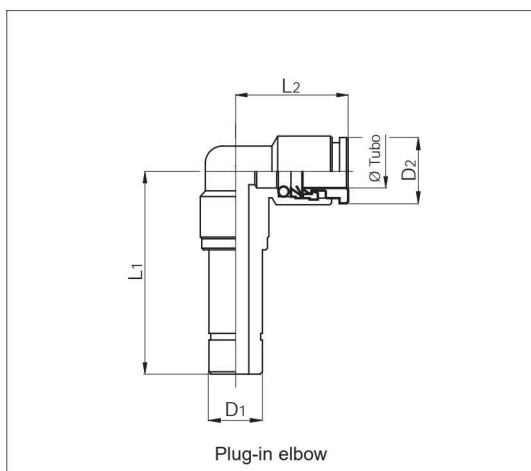
**Bulkhead elbow**  
Body in acetal resin - Nickel plated brass screw

Code	Item	Tube Ø	D1	D2	L1	L2	L3 max.	CH	Weight (g.)
028500	RT 48 04 04	4	M12x0,75	9,7	15,5	27,1	6	15	17,98
028501	RT 48 06 06	6	M14x1	12	20	33	6	18	32,79
028502	RT 48 08 08	8	M16x1	14	21,5	35,7	8	20	39,56
028503	RT 48 10 10	10	M18x1	16	24	40,3	9,5	22	52,84
028504	RT 48 12 12	12	M20x1	19	28,5	44,5	10	24	17

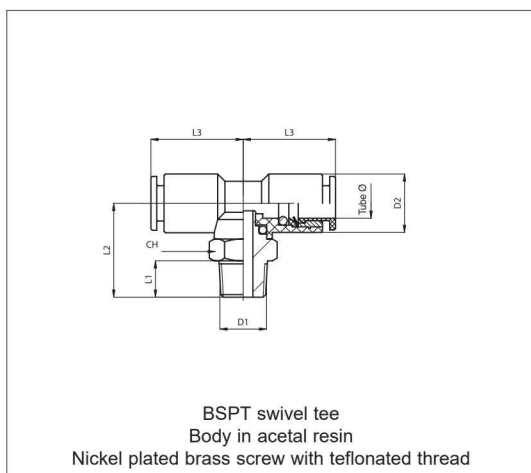
**Push-in fittings series RT**  
In DELRIN



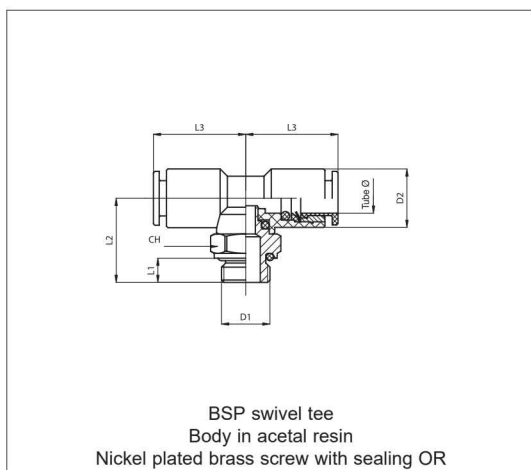
Code	Item	Tube Ø	D1	L1	Weight (g.)
029141	RT 14 04 04	4	9,7	15	3
029142	RT 14 06 06	6	12	19	6
029143	RT 14 08 08	8	14	20,5	7
029144	RT 14 10 10	10	16	23,5	9
029145	RT 14 12 12	12	19	27	
029146	RT 14 14 14	14	22,5	31	



Code	Item	Tube Ø	D1	D2	L1	L2	Weight (g.)
029514	RT 49 04 04	4	4	9,7	21,5	15,5	1,75
029515	RT 49 06 06	6	6	12	25,5	20	3,21
029516	RT 49 08 08	8	8	14	28,5	21,5	3,80
029517	RT 49 10 10	10	10	16	32,5	24	6,73
029518	RT 49 12 12	12	12	19	33	28,5	9,51
029519	RT 49 14 14	14	14	22,5	37	33	

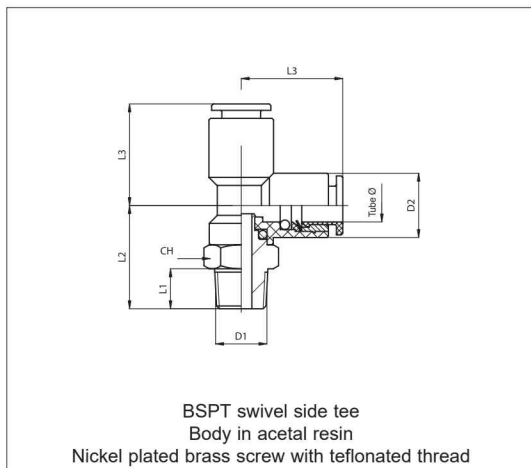


Code	Item	Tube Ø	D1	D2	L1	L2	L3	CH	Weight (g.)
029261	RT 21 04 18	4	1/8"	9,7	7,5	17	15	10	9
029262	RT 21 04 14	4	1/4"	9,7	11	20,5	15	14	14
029263	RT 21 06 18	6	1/8"	12	7,5	18,5	19	12	12
029264	RT 21 06 14	6	1/4"	12	11	22,5	19	14	17
029265	RT 21 08 18	8	1/8"	14	7,5	20	20,5	14	16
029266	RT 21 08 14	8	1/4"	14	11	23,5	20,5	14	18
029267	RT 21 08 38	8	3/8"	14	11,5	24,5	20,5	17	25
029268	RT 21 10 14	10	1/4"	16,5	11	25,5	23,5	16	24
029269	RT 21 10 38	10	3/8"	16,5	11,5	26,5	23,5	17	26
029270	RT 21 12 38	12	3/8"	19	11,5	28,5	28,5	20	
029271	RT 21 12 12	12	1/2"	19	14	31,5	28,5	22	

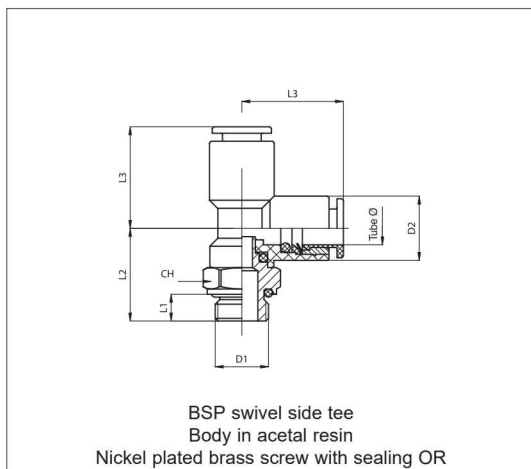


Code	Item	Tube Ø	D1	D2	L1	L2	L3	CH	Weight (g.)
029281	RT 22 04 M5	4	M5	9,7	4	15	15	9	7
029282	RT 22 04 18	4	1/8"	9,7	5	15	15	13	10
029283	RT 22 04 14	4	1/4"	9,7	6,5	17	15	16	14
029284	RT 22 06 M5	6	M5	12	4	15	19	12	11
029285	RT 22 06 18	6	1/8"	12	5	16,5	19	13	12
029286	RT 22 06 14	6	1/4"	12	6,5	18,5	19	16	16
029287	RT 22 08 18	8	1/8"	14	5	17,5	20,5	14	14
029288	RT 22 08 14	8	1/4"	14	6,5	19,5	20,5	16	18
029289	RT 22 08 38	8	3/8"	14	7	21,5	20,5	20	26
029290	RT 22 10 14	10	1/4"	16,5	6,5	21,5	23,5	16	20
029291	RT 22 10 38	10	3/8"	16,5	7	23,5	23,5	20	28
029292	RT 22 12 38	12	3/8"	19	7	24	28,5	20	
029293	RT 22 12 12	12	1/2"	19	8,5	28,5	28,5	20	

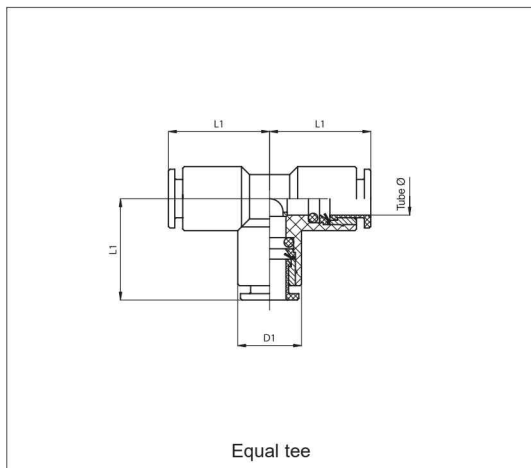
Push-in fittings series RT  
In DELRIN



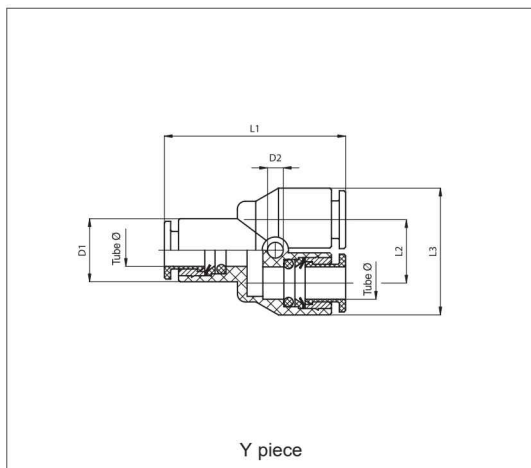
Code	Item	Tube Ø	D1	D2	L1	L2	L3	CH	Weight (g.)
029301	RT 23 04 18	4	1/8"	9,7	7,5	17	15	10	9
029302	RT 23 04 14	4	1/4"	9,7	11	20,5	15	14	14
029303	RT 23 06 18	6	1/8"	12	7,5	18,5	19	12	12
029304	RT 23 06 14	6	1/4"	12	11	22,5	19	14	17
029305	RT 23 08 18	8	1/8"	14	7,5	20	20,5	14	16
029306	RT 23 08 14	8	1/4"	14	11	23,5	20,5	14	22
029307	RT 23 08 38	8	3/8"	14	11,5	24,5	20,5	17	25
029308	RT 23 10 14	10	1/4"	16,5	11	25,5	23,5	16	23
029309	RT 23 10 38	10	3/8"	16,5	11,5	26,5	23,5	17	26



Code	Item	Tube Ø	D1	D2	L1	L2	L3	CH	Weight (g.)
029321	RT 24 04 M5	4	M5	9,7	4	15	15	9	7
029322	RT 24 04 18	4	1/8"	9,7	5	15	15	13	9
029323	RT 24 04 14	4	1/4"	9,7	6,5	17	15	16	14
029324	RT 24 06 M5	6	M5	12	4	15	19	12	10
029325	RT 24 06 18	6	1/8"	12	5	16,5	19	13	12
029326	RT 24 06 14	6	1/4"	12	6,5	18,5	19	16	15
029327	RT 24 08 18	8	1/8"	14	5	17,5	20,5	14	14
029328	RT 24 08 14	8	1/4"	14	6,5	19,5	20,5	16	21
029329	RT 24 08 38	8	3/8"	14	7	21,5	20,5	20	26
029330	RT 24 10 14	10	1/4"	16,5	6,5	21,5	23,5	16	21
029331	RT 24 10 38	10	3/8"	16,5	7	23,5	23,5	20	27

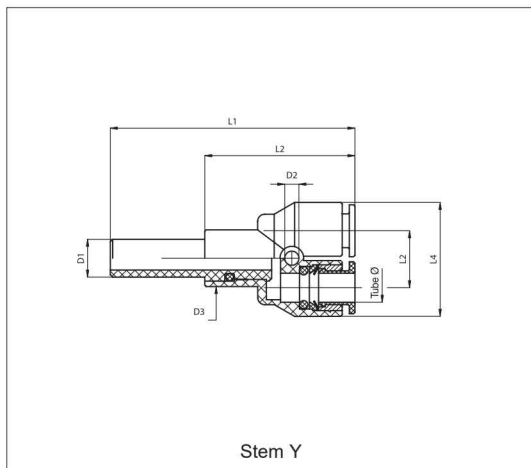


Code	Item	Tube Ø	D1	L1	Weight (g.)
029151	RT 15 04 04	4	9,7	15	6
029152	RT 15 06 06	6	12	19	9
029153	RT 15 08 08	8	14	20,5	10
029154	RT 15 10 10	10	16	23,5	13
029155	RT 15 12 12	12	19	27	
029156	RT 15 14 14	14	22,5	31	

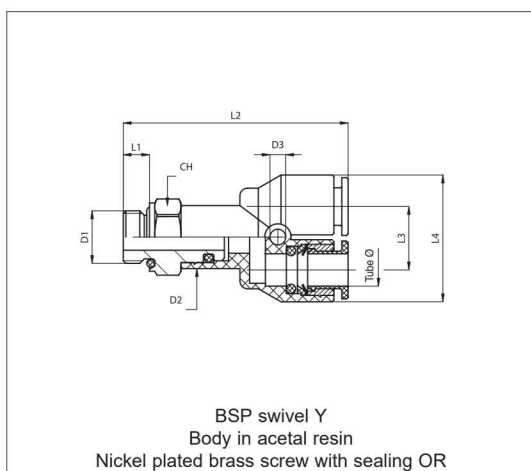


Code	Item	Tube Ø	D1	D2	L1	L2	L3	Weight (g.)
029401	RT 29 04 04	4	9,7	2,7	27	10,7	20,5	5
029402	RT 29 06 06	6	12	3,2	34	13	25	9
029403	RT 29 08 08	8	14	3,2	36	15	29	11
029404	RT 29 10 10	10	16	3,2	41	18	34,5	14
029405	RT 29 12 12	12	19	3,2	46	21,5	40,5	15

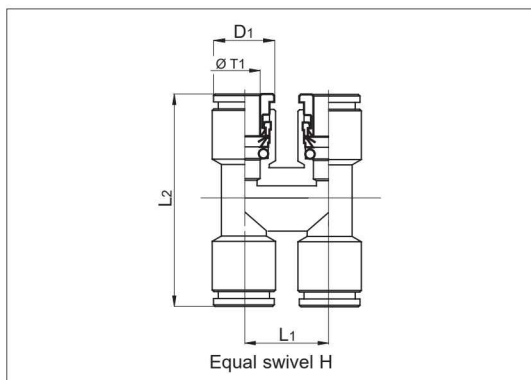
Push-in fittings series RT  
In DELRIN



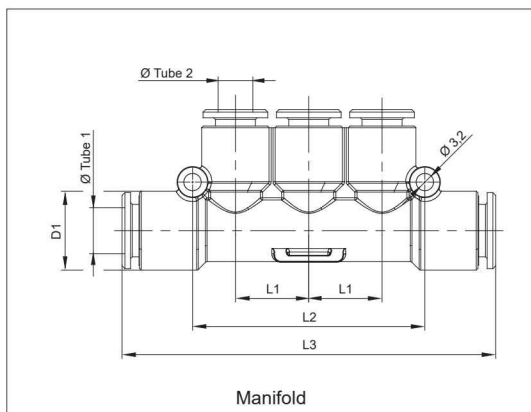
Code	Item	Tube Ø	D1	D2	D3	L1	L2	L3	L4	Weight (g.)
029411	RT 30 04 04	4	4	2,7	9,7	40	25	10,7	20,5	5
029412	RT 30 04 06	4	6	2,7	9,7	43	25	10,7	20,5	5
029413	RT 30 04 08	4	8	2,7	9,7	45	25	10,7	20,5	6
029414	RT 30 06 06	6	6	3,2	12	50	32	13	25	8
029415	RT 30 08 08	8	8	3,2	14	54	34	15	29	11



Code	Item	Tube Ø	D1	D2	D3	L1	L2	L3	L4	CH	Weight (g.)
029421	RT 31 04 M5	4	M5	9,7	2,7	4	34	10,7	20,5	9	9
029422	RT 31 04 18	4	1/8"	9,7	2,7	5	34	10,7	20,5	13	11
029423	RT 31 04 14	4	1/4"	9,7	2,7	6,5	36	10,7	20,5	16	14
029424	RT 31 06 18	6	1/8"	12	3,2	5	41	13	22,5	13	15
029425	RT 31 06 14	6	1/4"	12	3,2	6,5	43	13	25	16	19
029426	RT 31 08 18	8	1/8"	14	3,2	5	43	15	25	14	20
029427	RT 31 08 14	8	1/4"	14	3,2	6,5	45	15	29	16	22
029428	RT 31 08 38	8	3/8"	14	3,2	7	47	15	29	20	30

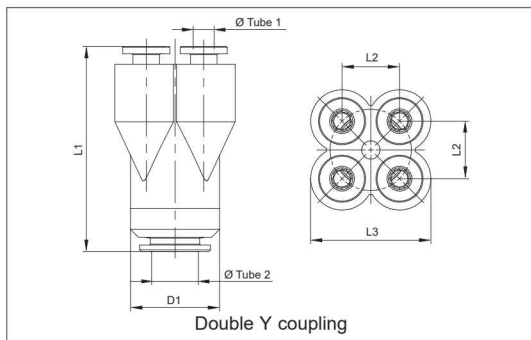


Code	Item	ØT1	D1	L1	L2	Weight (g.)
029507	RT 46 04 04	4	9,7	14	31,4	9,20
029508	RT 46 06 06	6	12	17	40,4	11,85
029509	RT 46 08 08	8	14	19,5	43,4	14,12
029510	RT 46 10 10	10	16	23	28	25,80

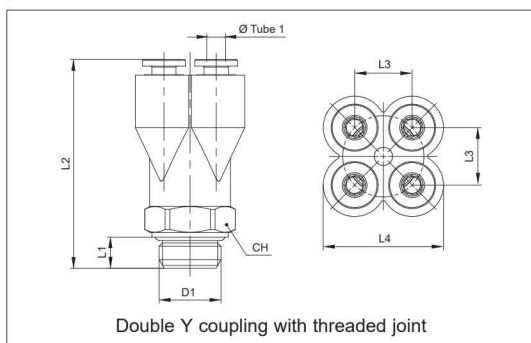


Code	Item	Ø Tube1	Ø Tube2	D1	L1	L2	L3	Weight (g.)
029462	RT 36 06 04	6	4	12	11	35	59	
029463	RT 36 08 06	8	6	14	13	41	66	

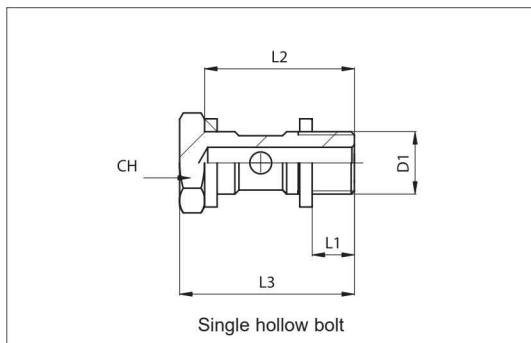
Push-in fittings series RT  
In DELRIN



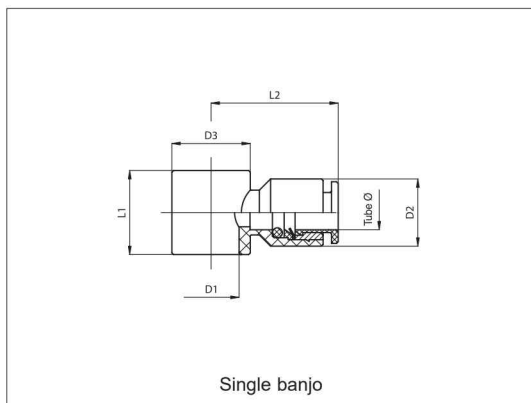
Code	Item	Tube1 Ø	Tube2 Ø	D1	L1	L2	L3	Weight (g.)
029406	RT 43 04 06	4	6	17	38	11	24	27,80
029408	RT 43 04 08	4	8	17	38	11	24	25,00



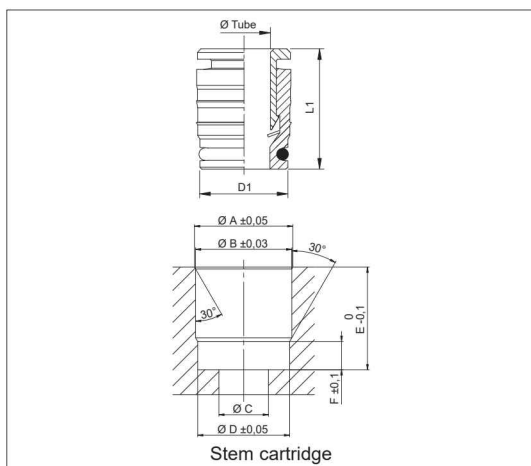
Code	Item	Tube Ø	D1	L1	L2	L3	L4	CH	Weight (g.)
029409	RT 44 04 18	4	1/8"	5	41	11	24	17	32,80
029410	RT 44 04 14	4	1/4"	6,5	43	11	24	17	32,00



Code	Item	D1	L1	L2	L3	CH
020671	R 31 00 M5	M5	4	16	19	8
020672	R 31 00 18	1/8"	5	23	27	14
020673	R 31 00 14	1/4"	6,5	26,5	31,5	17
020674	R 31 00 38	3/8"	7	30	36	20
020675	R 31 00 12	1/2"	15	37	43	26



Code	Item	Tube Ø	D1	D2	D3	L1	L2	Weight (g.)
029391	RT 28 04 M5	4	M5	9,7	9,7	10	17	2
029400	RT 28 04 M5R	4	7	9,7	9,7	10	17,6	2
029392	RT 28 04 18	4	1/8"	9,7	15	15	18,5	3
029407	RT 28 06 M5R	6	7	12	9,7	10	21,5	3
029393	RT 28 06 18	6	1/8"	12	15	15	22	4
029394	RT 28 06 14	6	1/4"	12	18	17	23,5	5
029395	RT 28 08 18	8	1/8"	14	15	15	22,5	5
029396	RT 28 08 14	8	1/4"	14	18	17	24	6
029397	RT 28 08 38	8	3/8"	14	23	20	26	8
029398	RT 28 10 14	10	1/4	16,5	18	17	26	7
029399	RT 28 10 38	10	3/8"	16,5	23	20	28	9



Code	Item	Tube Ø	D1	L1	Weight (g.)
029451	RT 34 04 04	4	9	14,5	3,6
029452	RT 34 06 06	6	11,5	16,5	5,7
029453	RT 34 08 08	8	13,5	17	7,9
029454	RT 34 10 10	10	15,5	18,5	10,3

Cartridges seat drilling plan

Tube Ø	Ø A	Ø B	Ø C	Ø D	E	F
4	9,5	9,2	3	8,6	12	3,2
6	11,7	11,4	5	10,8	14	4
8	13,9	13,6	7	13	14,5	4
10	16	15,7	9	15,1	16	4