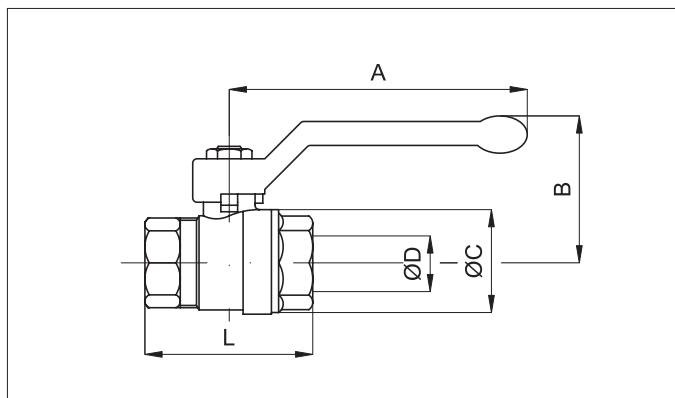


Ancillary valves
Ball valves “full bore”

Standard executions			
Version	Symbol	Code	Item
1/4"		030661	VSLO014FF
3/8"		030662	VSLO038FF
1/2"		030663	VSLO012FF
3/4"		030664	VSLO034FF
1"		030665	VSLO100FF
1 1/4"		030666	VSLO114FF
1 1/2"		030667	VSLO112FF
2"		030668	VSLO200FF



Series of brass ball valves full bore with long lever and manually operated.
In line mounting they work to close or open the air flow in both directions.



Connections	Ø D	A	B	Ø C	L	Weight gr
1/4"	10	85	42	23	37	100
3/8"	10	85	42	24	42	120
1/2"	15	85	46	30	50	160
3/4"	20	105	53	38	58	285
1"	25	105	57	46	69	450
1 1/4"	32	130	70	58	81	820
1 1/2"	40	130	76	70	93	1280
2"	50	165	92	86	110	2050

Technical data	
Fluid	Compressed air, inert gases, non-aggressive fluids
Pressure range	1/4" - 3/8"= 40 bar 1/2"-3/4"= 32 bar 1"= 25 bar 1 1/4"-1 1/2"= 20 bar 2"= 16 bar
Temperature range	-15 °C ÷ + 100°C
Orifice	See the dimension Ø D in the table
Flow	1/4" - 3/8"= 3.000 l/min 1/2"= 11.500 l/min 3/4"= 21.000 l/min 1"= 33.000 l/min
	1 1/4"= 50.000 l/min 1 1/2"= 84.000 l/min 2"= 97.000 l/min.
Mounting	In-line
Materials	Body: Nickel plated brass Lever: Aluminium covered with poliurethane Ball: Nickel plated brass Seals: PTFE - NBR