

Multiple connectors

Version	Symbol	Type
Size 1, with push-in fittings with check valves		A013P
Size 1, with push-in fittings without check valves		A113P
Size 2, with push-in fittings without check valves		A213P

New



Series of multiple connectors available in various configurations (number and diameter of the tubes).

They are normally used when it is necessary to disconnect more connections quickly with only one operation only.

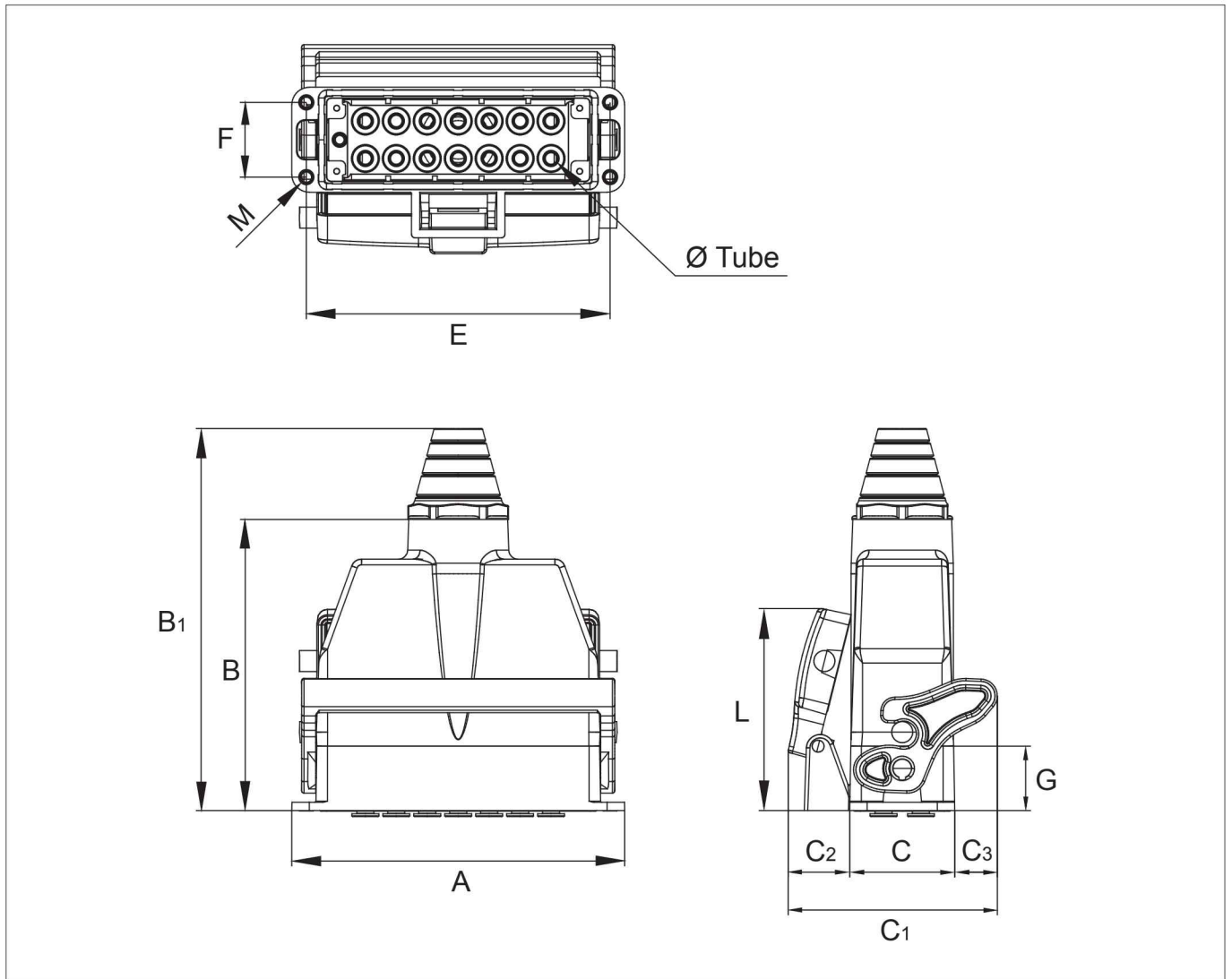
The tubes connection in the socket is with push-in fittings.

Is possible to connect a smaller number of tubes.

Adapter cannot be assembled the reverse side to the socket.

For standard items, codes and dimensions see the table at page 4.55.2.

Technical data	
Fluid	Compressed air
Pressure range	0 ÷ 12 bar (Vacuum resistance: 750 mm. Hg) - Type A013 max 7 bar
Temperature range	-20 °C ÷ 70 °C
Connections (Tube Ø)	4x2,5; 5x3; 6x4; 8x6
Connection tubes	Calibrated nylon, polyurethane and rilsan.
Tubes tolerances	± 0,05 mm
Materials	Body: Painted aluminium Releasing lever: Stainless steel Fittings: Brass Seals: Nitrile rubber (NBR)



Code	Item	Tube Ø	A	B	B ₁	C	C ₁	C ₂	C ₃	E	F	G	L	M	n° tubes
025008	A013P-6-6	6x4	95,5	125	163	45	89	26	18	82,5	32	28,5	87	4,5	6
025009	A013P-8-4	8x6	95,5	125	163	45	89	26	18	82,5	32	28,5	87	4,5	4
025001	A113P-4-12	4x2,5	115,5	125	163	45	89	26	18	103	32	28,5	87	4,5	12
025003	A113P-6-10	6x4	115,5	125	163	45	89	26	18	103	32	28,5	87	4,5	10
025004	A113P-8-8	8x6	115,5	125	163	45	89	26	18	103	32	28,5	87	4,5	8
025021	A213P-4-20	4x2,5	142,5	125	163	45	89	26	18	130	32	28,5	87	4,5	20
025022	A213P-6-14	6x4	142,5	125	163	45	89	26	18	130	32	28,5	87	4,5	14
025033	A213P-8-10	8x6	142,5	125	163	45	89	26	18	130	32	28,5	87	4,5	10