

Ancillary valves  
Slide valves

Standard executions			
Version	Symbol	Code	Item
M5 blue		030701	V260005
1/8" blue		030702	V260018
1/4" blue		030703	V260014
3/8" blue		030704	V260038
1/2" blue		030705	V260012
3/4" blue		030713	V260034

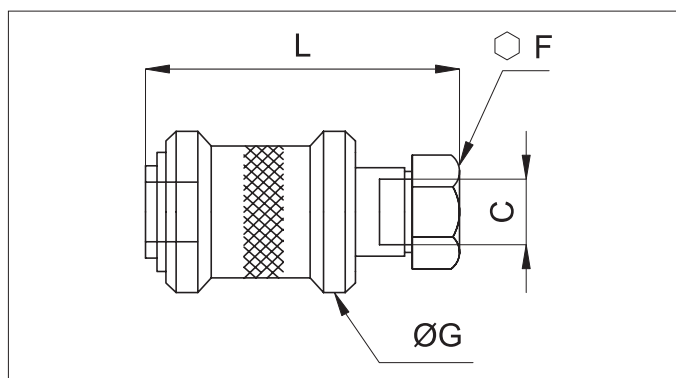


Series of slide valves manually operated. In line mounting they work to close the supply and at the same time exhaust the downstream circuit air.

How to order: V260018N

Options	Suffix
Black	N
Red	R
Seals FKM	max 150 °C V
Special version on request	/ S

V260018	N
Version	Option



C	F	G	L
M5	10	14	31
1/8"	14	25	48
1/4"	19	30	58
3/8"	22	35	70
1/2"	27	40	75
3/4"	32	50	83

Technical data						
Fluid	Compressed filtered air with or without lubrication. Lubrication, if started, must be continued.					
Pressure range	0 ÷ 16 bar					
Temperature range	-10 °C ÷ + 80°C					
Orifice	M5: 2,5 mm	1/8": 4 mm	1/4": 7 mm	3/8": 10 mm	1/2": 14 mm	3/4": 18 mm
Flow	M5: 100 NI/min	1/8": 680 NI/min	1/4": 1.300 NI/min	3/8": 2.100 NI/min	1/2": 3.800 NI/min	3/4": 5.700 NI/min
Mounting	In line					
Materials	Body:	Nickel plated and ground brass				
	Slide:	Blue anodised aluminium				
	Seals:	Nitrile rubber (NBR)				

