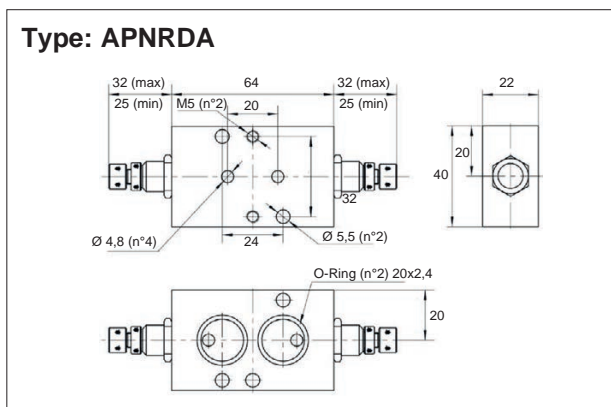


Speed controllers and mounting plates for NAMUR interface

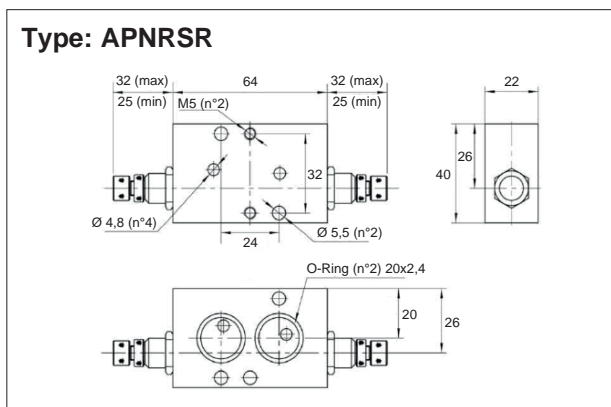
Standard executions			
Version	Symbol	Code	Item
For 5/2 double acting actuators		810152	APNRDA
For 3/2 spring return actuators		810153	APNRSR



Speed controllers for double acting (APNRDA type) and spring return (APNRSR type) pneumatic actuators, to mount directly on the actuator or using with NAMUR solenoid valves and/or positioners.

These speed regulators was designed with an advanced throttling technology that was specifically made for the use of controlling the opening and closing speeds of pneumatic actuators.

The speed controller is able to control the rotary speed of the actuator at any rate accurately, consistently and safely without the fluctuation that is commonly found in the standard speed controllers.



Technical data		
Item	APNRDA	APNRSR
Fluid	Compressed filtered and dried air	
Function	5/2 Double acting	3/2 Spring return
Pressure range	1,5 ÷ 10 bar	
Temperature range	-20°C ÷ +60°C	
Orifice Ø	3,74 mm.	
Flow	750 NI/min at 5 bar	
Connections	NAMUR	
Screws	M5x50 (2), M5x55 (2), M5x40 (2, for PNF plate)	
Materials	Body:	Anodized aluminium
	Seals:	NBR
	Screws:	Stainless Steel
	Elements in contact wit fluid:	Aluminium, brass, NBR