

STP Series

Ultra-thin Flower-shaped Suction Cup



PLASTIC BAG



HIGH SEALING



Features

- ◇ Ultra-thin soft sealing lip design
- ◇ Double reinforced rib structure
- ◇ Food grade POM and silicone
- ◇ Lateral air ports are evenly distributed
- ◇ Two sizes and two hardness are optional

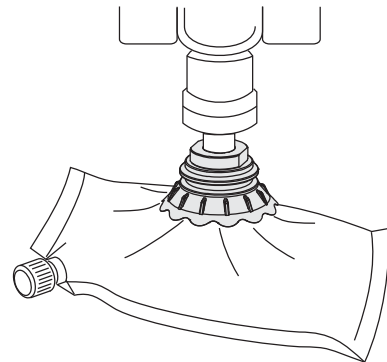
Advantages

- ◇ Optimal sealing, good for fitting different soft packing bags
- ◇ Effectively enhance suction cup strength, ensure maximum grasping capacity
- ◇ Can be used for food package handling
- ◇ Prevent soft package from deformation during grabbing and blocking the air port
- ◇ 35 degrees white silicone is suitable for softer bags, 50 degrees blue silicone is suitable for harder bags



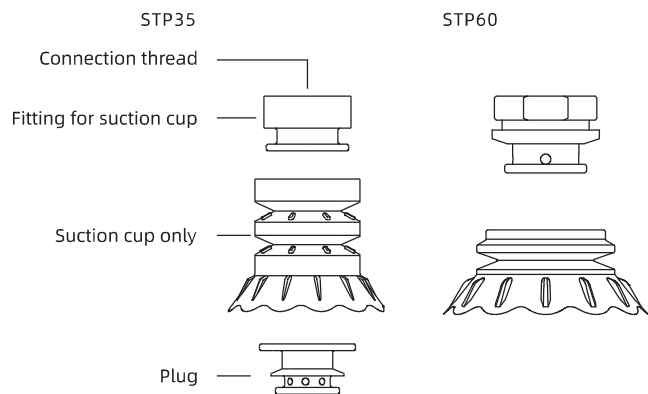
Applications

- ◇ Suitable for handling soft packaging plastic bags, such as bags of washing powder, detergent, tissue, express bags, etc.
- ◇ Food grade silicone can be used in food industry, such as bag of milk, bread, puffed food, etc.



Structure

- ◇ STP35 is 2.5 bellows and with large compressed stroke
- ◇ Suction cup and fitting are split structure design, wearing parts can be replaced separately



- SZ
- SP3
- SUF
- SAN
- SAO
- SOFA
- STP
- SFT
- SFA
- SBT
- SBL
- SBLP
- SBS
- SFP
- SBP
- SXP
- SGP
- SBOF
- STC
- SFF
- SOB
- SOE
- SOG
- SFM
- SOM
- SBF
- SDM
- SFU
- SFK
- SHT
- SDL
- SFG
- SFGT
- SFD
- SB
- SBA
- SF
- SU
- SPA
- SPD
- SPF
- SPC
- SPJ
- SPU
- SH
- SHB
- SBB
- SOP
- SNP

STP Series

Ultra-thin Flower-shaped Suction Cup

How to order

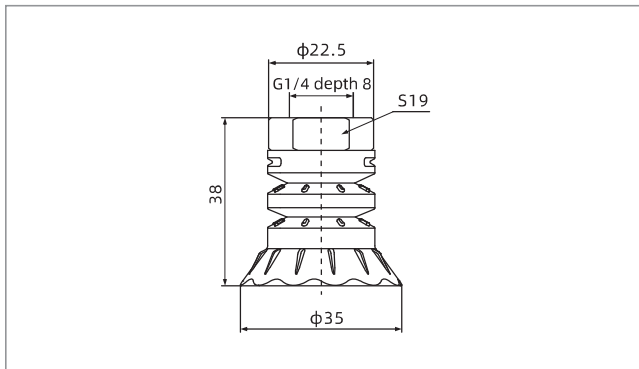
STP 60 S - G3F
 ① ② ③ ④

① Series	② Diameter	③ Material & Hardness	④ Connection thread
STP	35 - ϕ 35mm	S - Silicone 50	G2F - G1/4 female thread
	60 - ϕ 60mm	WS - White silicone 35	G3F - G3/8 female thread

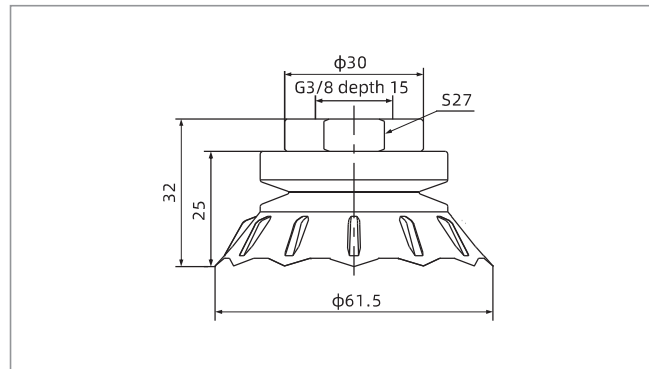
Selection

Model	Material S	WS	MPQ pcs	Weight g
STP35	STP35S-G2F	STP35WS-G2F	1	5
STP60	STP60S-G3F	STP60WS-G3F	1	9

Dimensions(mm)



STP35□-G2F



STP60□-G3F

◇ Note: The dimensional tolerance conforms to GBT3672.1-2002-1 M3 rubber product dimensional tolerance standard